

# Air unit - Regulator

Operation specification and Flow characteristics

CHELIC PNEUMATIC



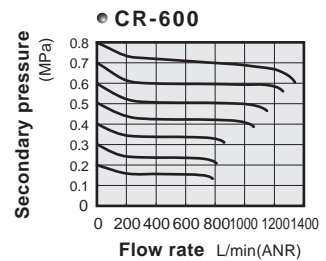
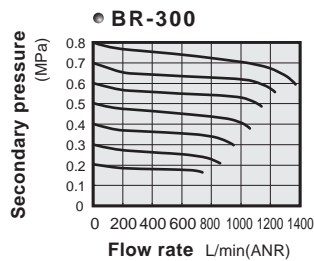
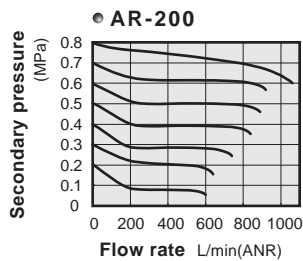
Symbol :



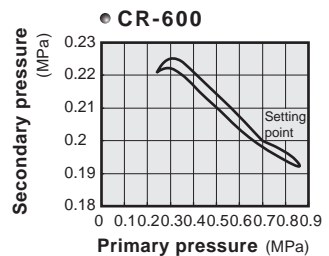
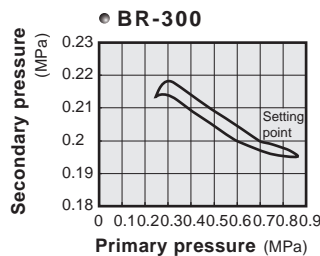
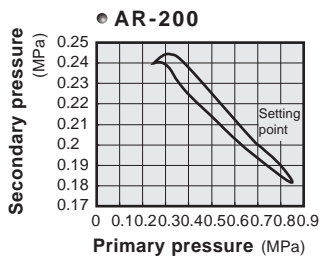
## Specifications

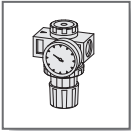
Item	Model	AR-150 (200)	BR-200 (300)	CR-400 (600)
Fluid		Air		
Port Size	Rc	1/8", (1/4")	1/4", (3/8")	1/2 , (3/4")
Pressure range	kgf/cm <sup>2</sup> (kpa)	0.5~8.5 (50~850)		
Max. pressure	kgf/cm <sup>2</sup> (kpa)	9.5 (950)		
Ambient and fluid temperature	°C	5~60		
Weight	kg	0.20	0.23	0.32
Material		Aluminum die-casted		

## Flow characteristics



## Pressure characteristics





# Air unit - Regulator

Order expression / Pressure gauge

CHELIC PNEUMATIC

## How to order

AR - 200 - G - PG 10A - L2 - Bracket

Model (1) Port size (2) Thread type (3) Pressure gauge (4) Max. adjustable pressure (5) Bracket (6)

Model	Code	150	200	300	400	600
Port connection	Port size	1/8	1/4	3/8	1/2	3/4
	AR	●	●			
	BR		●	●		
CR				●	●	

※ REGULATOR series  
AR : Mini size  
BR : Medium size  
CR : Large size

None	G	N
RC	G type	NPT
●	●	●
●	●	●
●	●	

PG-10A : Pressure gauge (option)  
※ For A series

PG-20A : Pressure gauge (option)  
※ For B,C series

None	standard
	8.5 kg/cm <sup>2</sup>
L1	1 kg/cm <sup>2</sup> (AC Series)
L2	2 kg/cm <sup>2</sup> (AC Series)
L4	4 kg/cm <sup>2</sup> (AC,BC Series)

※ For A , B series

Bracket (6)

■ None : With Bracket (Standard)

## Pressure gauge (4)

Pressure gauge		Model					
Code	Model	AR-150	AR-200	BR-200	BR-300	CR-400	CR-600
PG10A	PG-10A	●(option)	●(option)	—	—	—	—
PG20A	PG-20A	—	—	●(option)	●(option)	●(option)	●(option)

🔍 Note : (standard) : Standard accessory ; (option) : Optional accessory.

AC/BC/CC  
F.R.L.  
Combinations

AFC/BFC/FC  
F.R.L.  
Combinations

**FR**  
Filter  
regulator

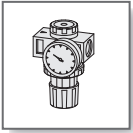
**F**  
Air filter

**R**  
Regulator

**L**  
Lubricator

**PFC/PFR  
PF/PL**

**A/B/C**  
Mounting  
bracket

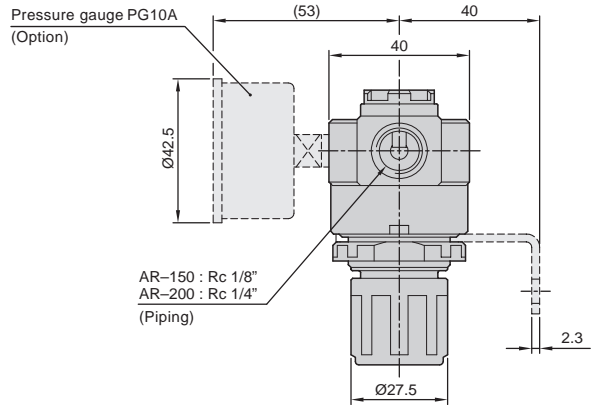
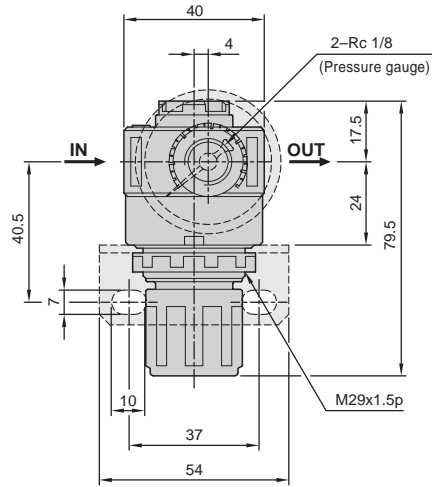


# Air unit - Regulator

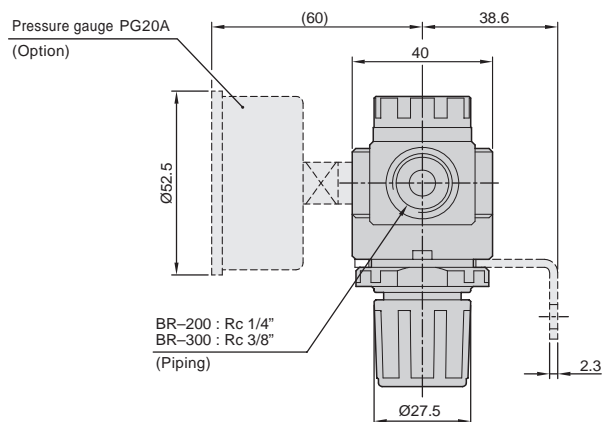
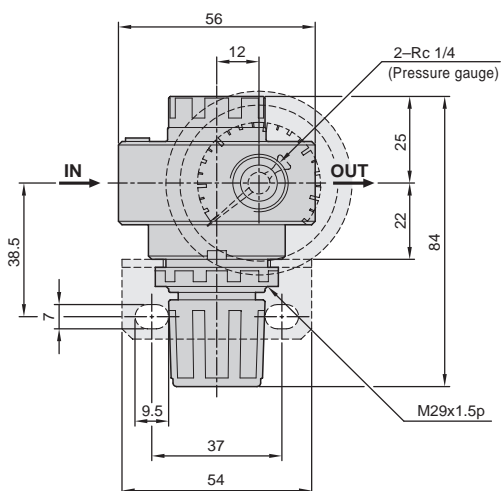
## External dimensions

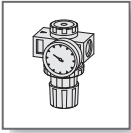
CHELIC PNEUMATIC

### AR - 150



### BR - 200



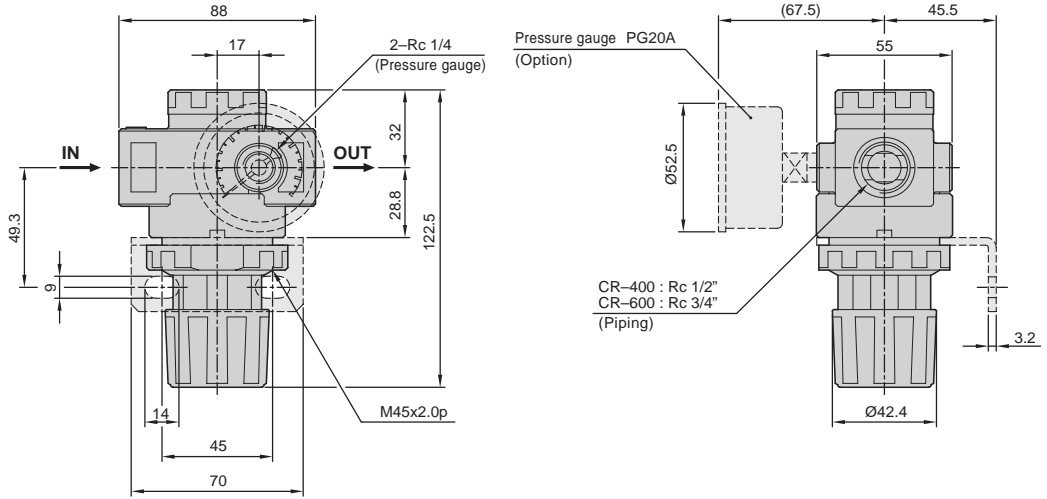


# Air unit - Regulator

External dimensions

CHELIC PNEUMATIC

CR - 400



**AC/BC/CC**  
F.R.L.  
Combinations

**AFC/BFC/CF**  
FR.L.  
Combinations

**FR**  
Filter  
regulator

**F**  
Air filter

**R**  
Regulator

**L**  
Lubricator

**PFC/PFR**  
**PF/PL**

**A/B/C**  
Mounting  
bracket