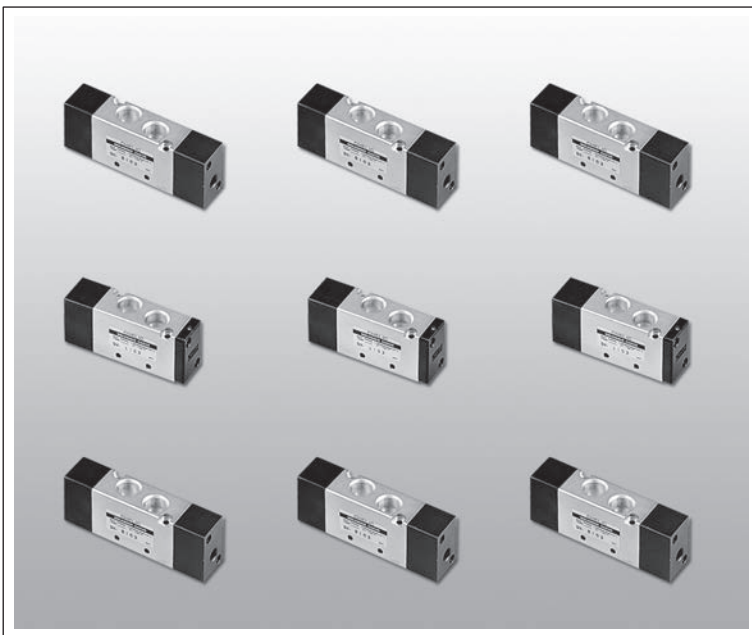


Directional control - PV series Pilot valve

Pilot valve - PV500 \ PV600 \ PV800 \ PV900

CHELIC PNEUMATIC



provide CAD external dimension.

PM
Pilot Valve

PMB
Pilot Valve

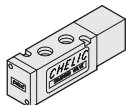
PMU
Pilot Valve

PMUB
Pilot Valve

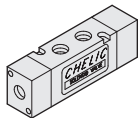
PV
Pilot Valve

PN
Pilot Valve

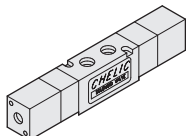
Single air pilot valve (5 ports 2 positions)	----- PV - 500 series ----- (1/8") ----- P.2-3.47
	----- PV - 600 series ----- (1/8" , 1/4") ----- P.2-3.49
	----- PV - 800 series ----- (1/8" , 3/8") ----- P.2-3.51
	----- PV - 900 series ----- (1/2") ----- P.2-3.53



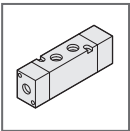
Double air pilot valve (5 ports 2 positions)	----- PV - 500 series ----- (1/8") ----- P.2-3.47
	----- PV - 600 series ----- (1/8" , 1/4") ----- P.2-3.49
	----- PV - 800 series ----- (1/8" , 3/8") ----- P.2-3.51
	----- PV - 900 series ----- (1/2") ----- P.2-3.53



3 Positions pilot valve (5 ports 3 positions)	----- PV - 500 series ----- (1/8") ----- P.2-3.47
	----- PV - 600 series ----- (1/8" , 1/4") ----- P.2-3.49
	----- PV - 800 series ----- (1/8" , 3/8") ----- P.2-3.51
	----- PV - 900 series ----- (1/2") ----- P.2-3.53



A large grid of graph paper for taking notes, consisting of 20 columns and 30 rows of small squares.

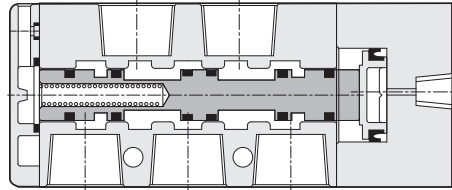
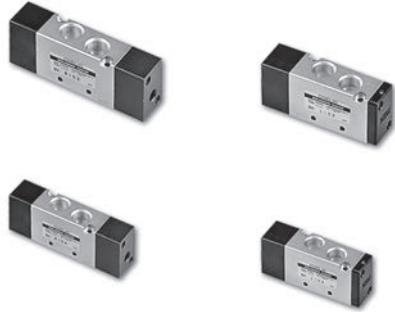


PV 500 、 600 、 800 、 900 series - Pilot valve

Operating specification and Order expression

CHELIC PNEUMATIC

Internal structure



PM
Pilot Valve

PMB
Pilot Valve

PMU
Pilot Valve

PMUB
Pilot Valve

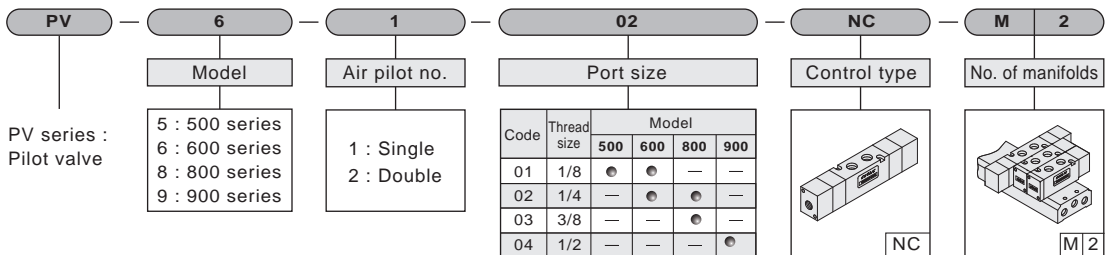
PV
Pilot Valve

PN
Pilot Valve

Specification

Item	Model	PV-500	PV-600	PV-800	PV-900
Fluid		Air			
Pressure range	kgf/cm ² (Kpa)	1.5 ~ 7 (150 ~ 700)			
Range of temperature	°C	0 ~ 50			
Operating method		Air pilot			
Number of positions ports		5 ports 2 positions	5 ports 3 positions	5 ports 2 positions	5 ports 3 positions
Valve function		Normal closed			
Orifice	mm ² (CV)	12 (0.67)	14 (0.78)	18 (1.0)	50 (2.78)
Connection port		PT 1/8"	PT 1/8" , 1/4"	PT 1/4" , 3/8"	PT 1/2"
Lubrication		Lubrication free type			

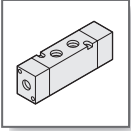
How to order



None : 5 Ports
2 positions
NC: Normally closed
NF: Normally free
NO: Normally open

None :
Without manifold
M2 = 2 sets
M3 = 3 sets
⋮
M12 = 12 sets

- PV 500 series
Max. Manifolds : M10
- PV 600 series
Max. Manifolds : M12
- PV 800 series
Max. Manifolds : M12
- PV 900 series
Max. Manifolds : M7

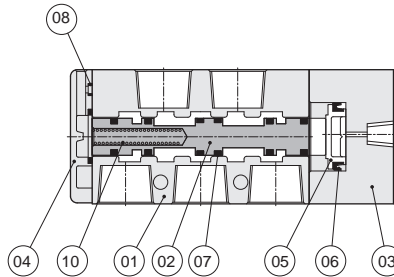
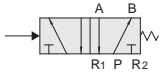


PV 500 、 600 、 800 、 900 series - Pilot valve

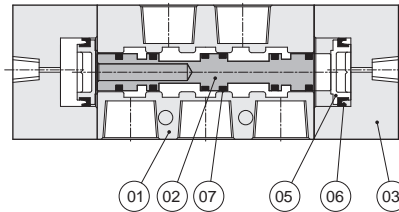
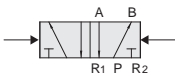
Component and Material list

CHELIC PNEUMATIC

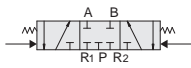
● Single air pilot 5 ports 2 positions



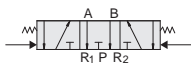
● Double air pilot 5 ports 2 positions



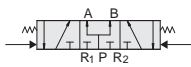
● Double air pilot 5 ports 3 positions



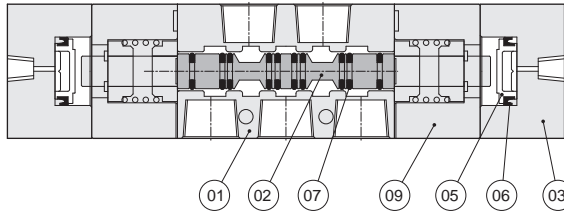
(Normal close N.C.)



(Normal free N.F.)



(Normal open N.O.)



● Material of major parts list

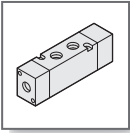
No.	Item	Material	No.	Item	Material
01	Body	Aluminum alloy	06	Holder piston packing	NBR
02	Rod	Aluminum alloy	07	Packing	NBR
03	Holder	POM	08	End cover O-Ring	NBR
04	End cover	POM	09	Holder	Aluminum alloy
05	Holder piston	POM	10	Rod packing	NBR

Note : Body is treated with baked painting.

● Packing and O-ring

Item	Holder piston packing	Holder O-Ring	Manual rod O-Ring	End cover O-Ring
Model	1	1	1	1
Number				
PV 500	—	—	∅2X∅1	—
PV 600	MYA-14	∅2X∅1.5	∅2X∅1	∅17.5X∅1.5
PV 800	MYA-18	∅2X∅1.5	∅2X∅1	∅19.5X∅1.5
PV 900	Z8-2822	∅3.5X∅1.5	∅2X∅1	∅22.8X∅1.58

Note : Piston packing and rod packing are imported. (MITSUBISHI, SAKAGAMI and so on)



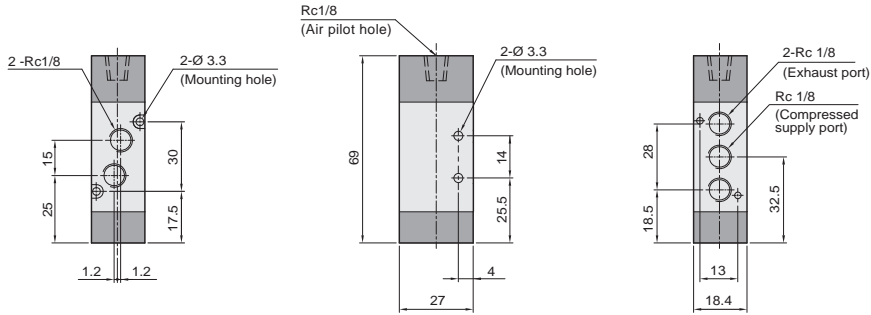
PV series Pilot valve - PV 500

External dimensions

CHELIC PNEUMATIC

● PV - 5101 series

Single air pilot valve 5 ports 2 positions



PM
Pilot Valve

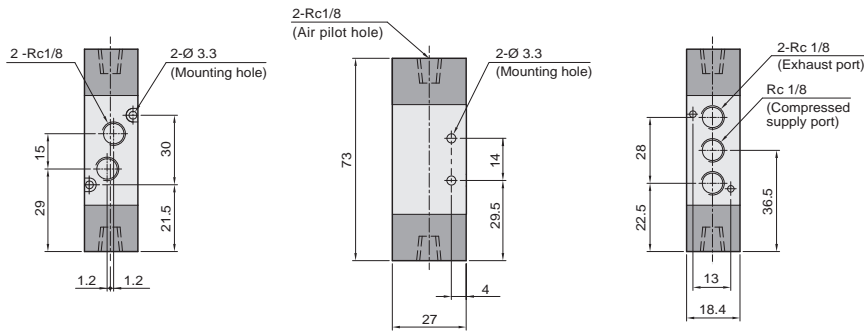
PMB
Pilot Valve

PMU
Pilot Valve

PMUB
Pilot Valve

● PV - 5201 series

Double air pilot valve 5 ports 2 positions

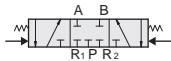


PV
Pilot Valve

PN
Pilot Valve

● PV - 5231 series

Double air pilot valve 5 ports 3 positions



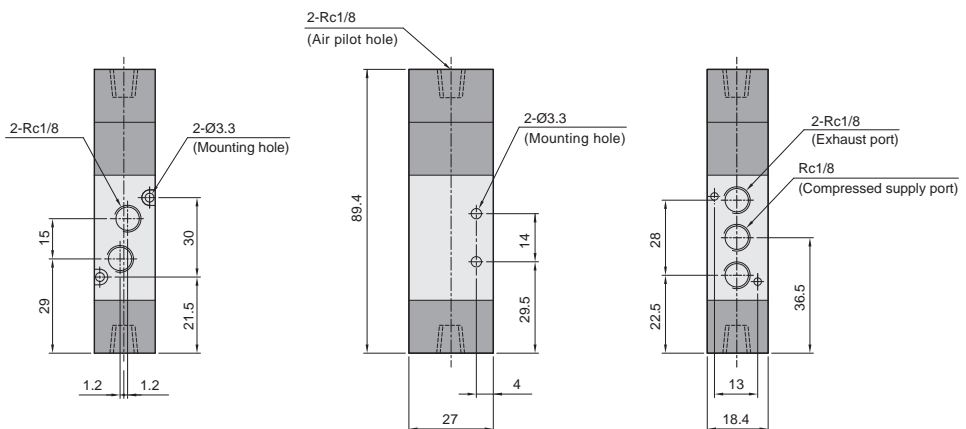
PV-5231-[NC] (Normal close) N.C.

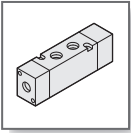


PV-5231-[NF] (Normal free) N.F.



PV-5231-[NO] (Normal open) N.O.





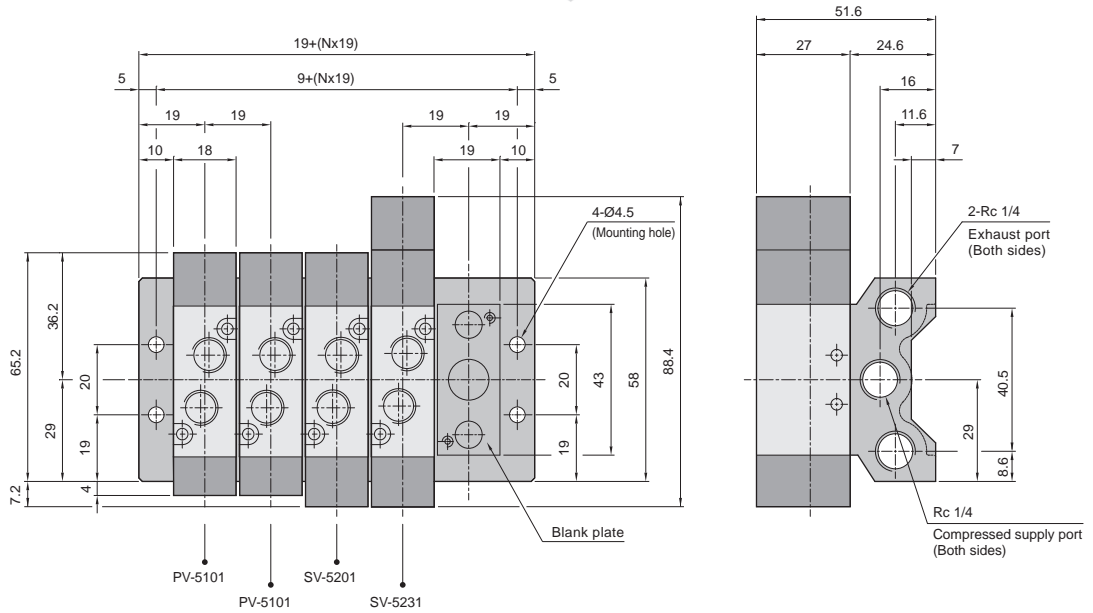
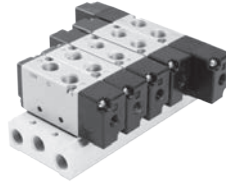
PV series Pilot valve - PV 500

External dimensions

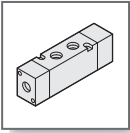
CHELIC PNEUMATIC

● PV - 500 series

Manifold dimension



● Note : Blank plate with rubber lining is reserved for temporary storage space of solenoid valves.



PV series Pilot valve - PV 600

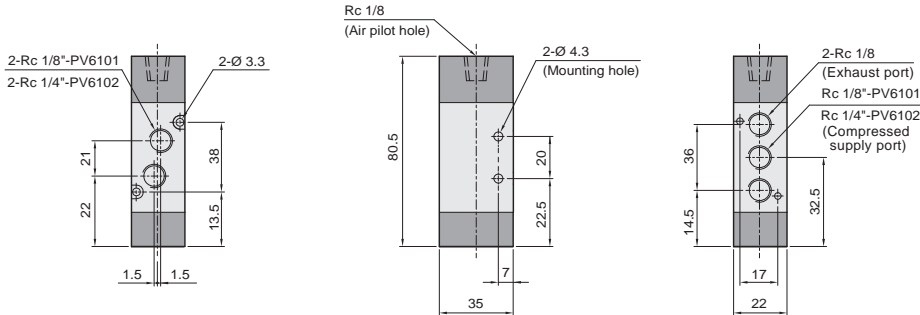
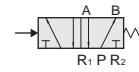
External dimensions

CHELIC PNEUMATIC

● PV - 6101 series

PV - 6102 series

Single air pilot valve 5 ports 2 positions



PM
Pilot Valve

PMB
Pilot Valve

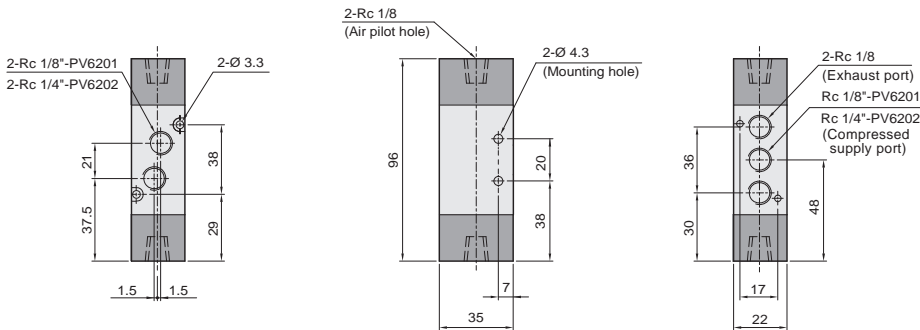
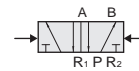
PMU
Pilot Valve

PMUB
Pilot Valve

● PV - 6201 series

PV - 6202 series

Double air pilot valve 5 ports 2 positions



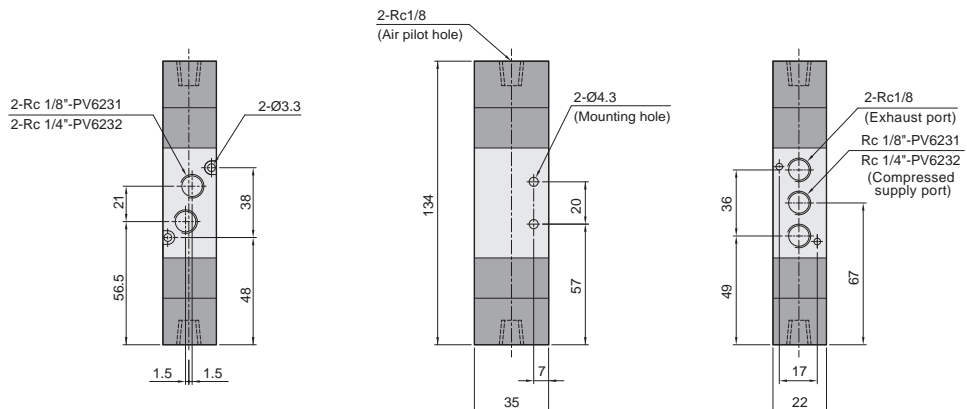
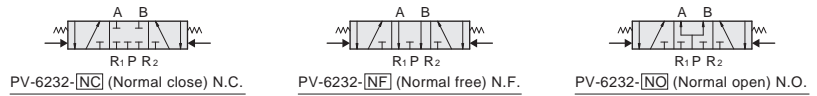
PV
Pilot Valve

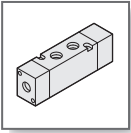
PN
Pilot Valve

● PV - 6231 series

PV - 6232 series

Double air pilot valve 5 ports 3 positions





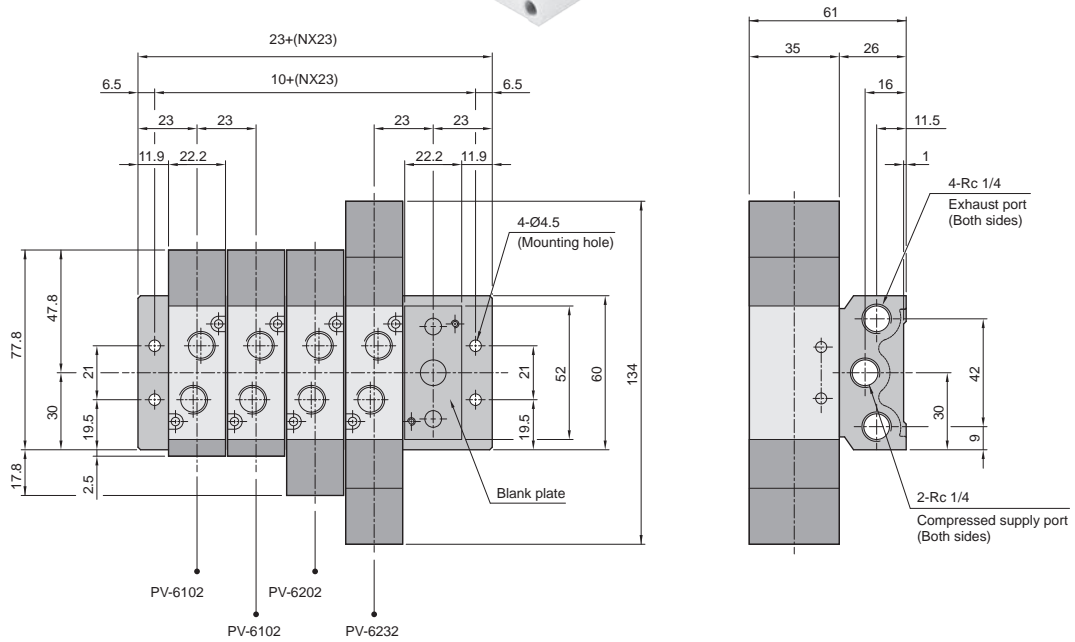
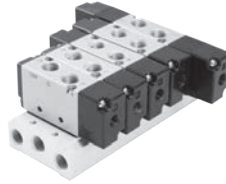
PV series Pilot valve - PV 600

External dimensions

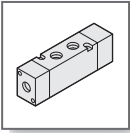
CHELIC PNEUMATIC

● PV - 600 series

Manifold dimension



● Note : Blank plate with rubber lining is reserved for temporary storage space of solenoid valves.



PV series Pilot valve - PV 800

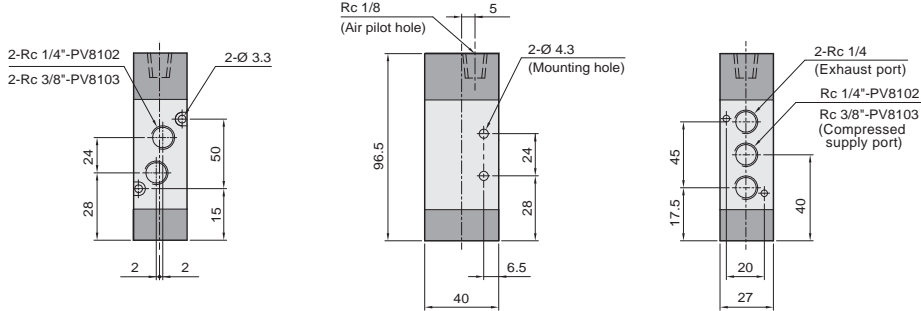
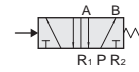
External dimensions

CHELIC PNEUMATIC

● PV - 8102 series

PV - 8103 series

Single air pilot valve 5 ports 2 positions



PM
Pilot Valve

PMB
Pilot Valve

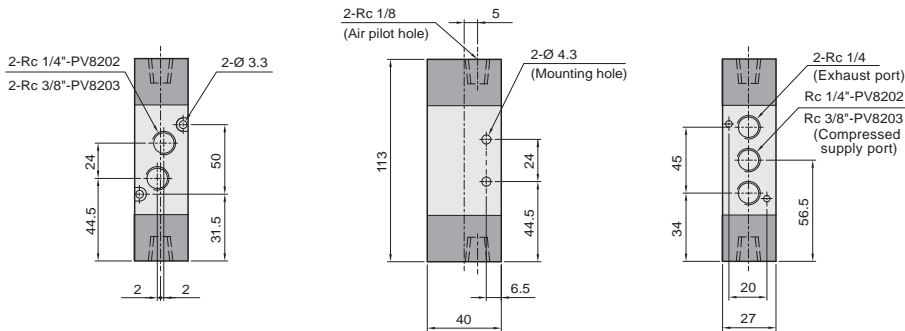
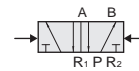
PMU
Pilot Valve

PMUB
Pilot Valve

● PV - 8202 series

PV - 8203 series

Double air pilot valve 5 ports 2 positions



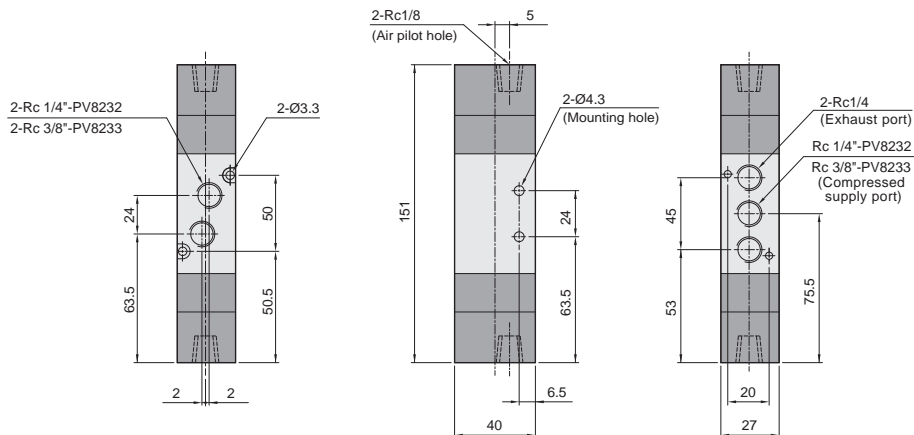
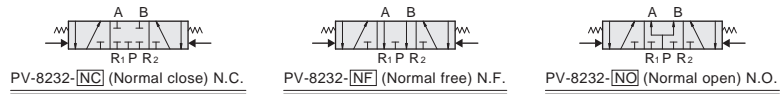
PV
Pilot Valve

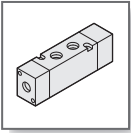
PN
Pilot Valve

● PV - 8232 series

PV - 8233 series

Double air pilot valve 5 ports 3 positions





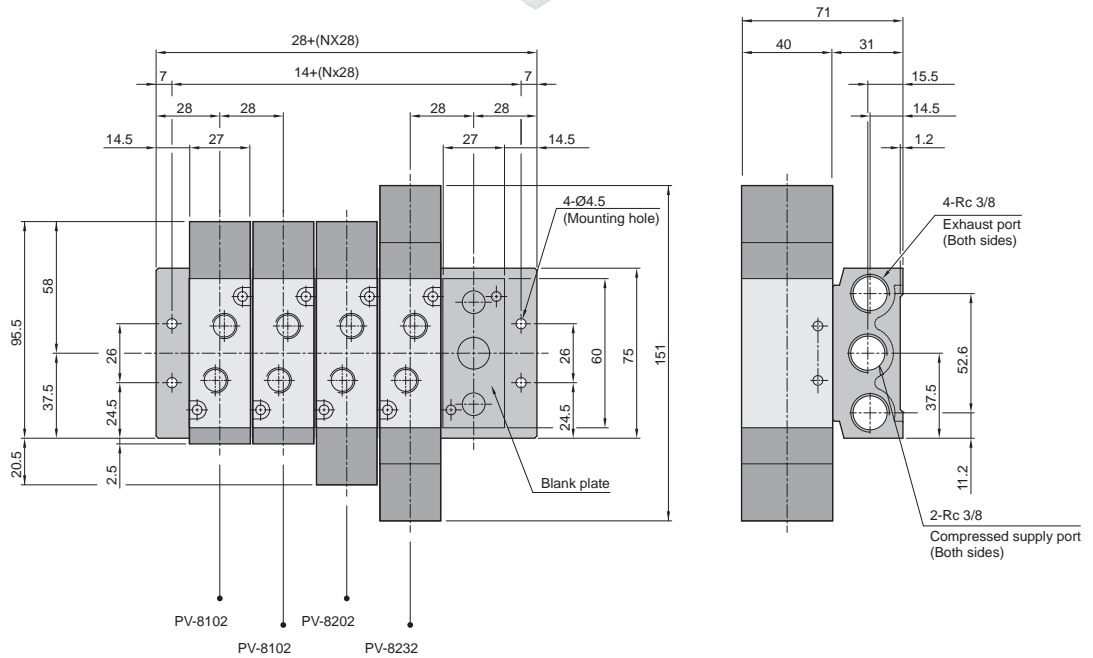
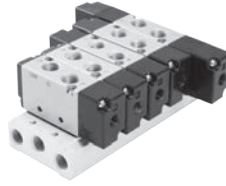
PV series Pilot valve - PV 800

External dimensions

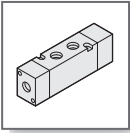
CHELIC PNEUMATIC

● PV - 800 series

Manifold dimension



● Note : Blank plate with rubber lining is reserved for temporary storage space of solenoid valves.



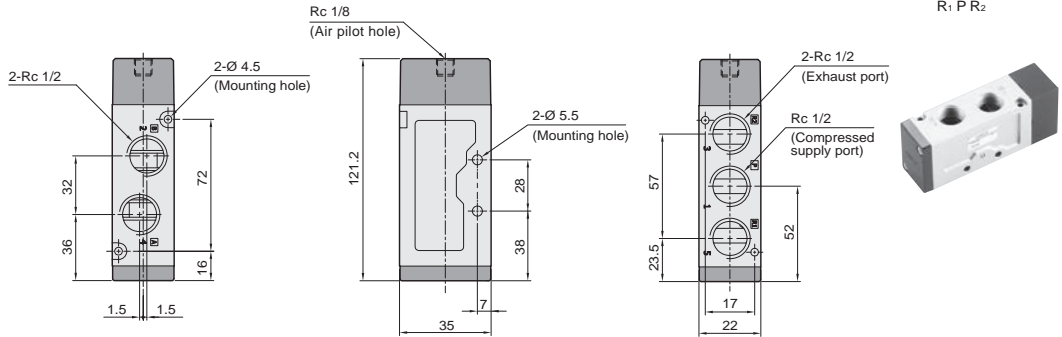
PV series Pilot valve - PV 900

External dimensions

CHELIC PNEUMATIC

● PV - 9104 series

Single air pilot valve 5 ports 2 positions



PM
Pilot Valve

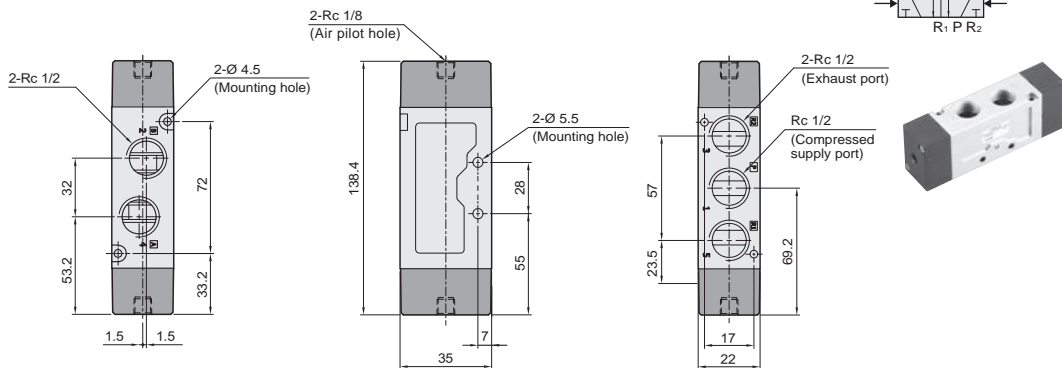
PMB
Pilot Valve

PMU
Pilot Valve

PMUB
Pilot Valve

● PV - 9204 series

Double air pilot valve 5 ports 2 positions

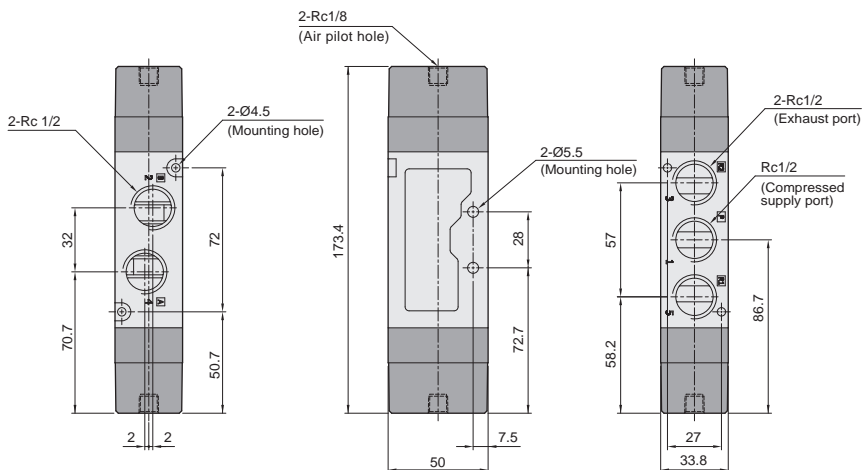
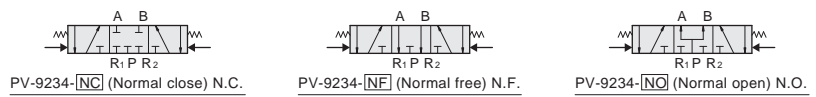


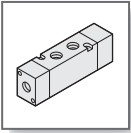
PV
Pilot Valve

PN
Pilot Valve

● PV - 9234 series

Double air pilot valve 5 ports 3 positions





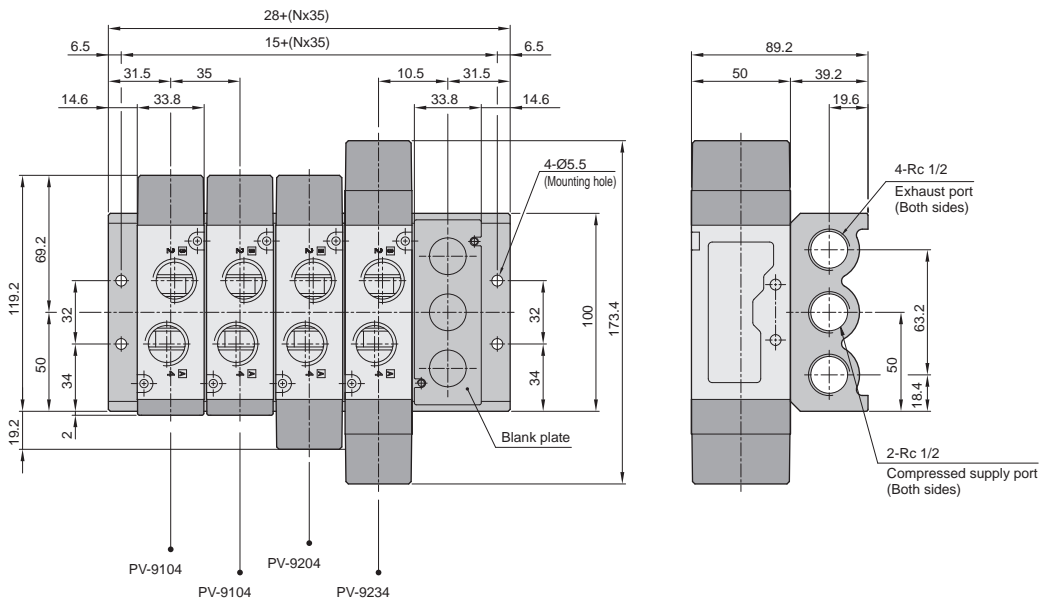
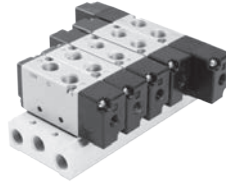
PV series Pilot valve - PV 900

External dimensions

CHELIC PNEUMATIC

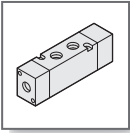
● PV - 900 series

Manifold dimension



● Note : Blank plate with rubber lining is reserved for temporary storage space of solenoid valves.

● PV900 series , Max. Manifolds : M5



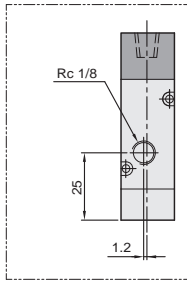
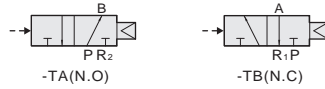
PV series Pilot valve - PV 500 - PV 600

External dimensions / 3 ports 2 positions

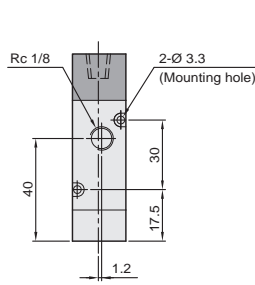
CHELIC PNEUMATIC

● PV - 5101 - □

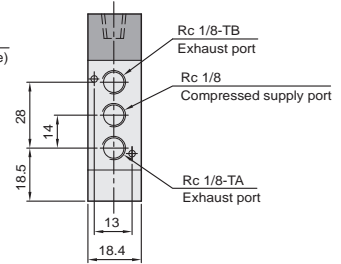
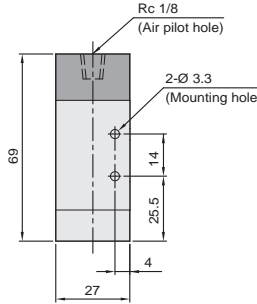
Single air pilot
3 ports 2 positions



- TA



- TB



PM
Pilot Valve

PMB
Pilot Valve

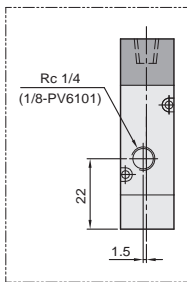
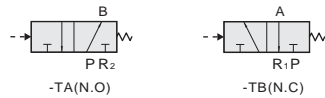
PMU
Pilot Valve

PMUB
Pilot Valve

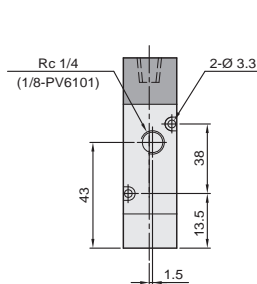
PV
Pilot Valve

● PV - 6101 - □

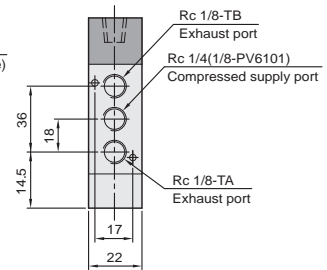
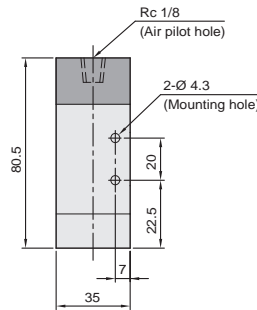
Single air pilot
3 ports 2 positions



- TA

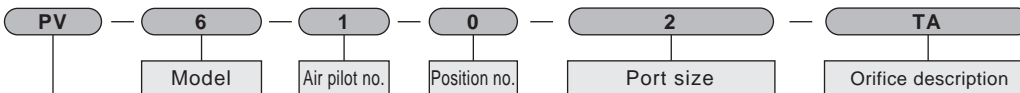


- TB



PN
Pilot Valve

● How to order



PV series
Pilot valve

Model

5 : 500 series
6 : 600 series

Air pilot no.

1 : Single
2 : Double

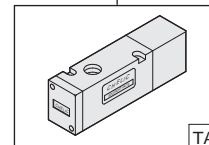
Position no.

0 : 2 Position

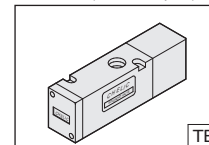
Port size

Code	Thread size	Model	
		500	600
2	1/8	●	●
1	1/4	-	●

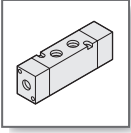
Orifice description



TA : Supply from B port
(Normal open)



TB : Supply from A port
(Normal closed)



PN series - PN 800

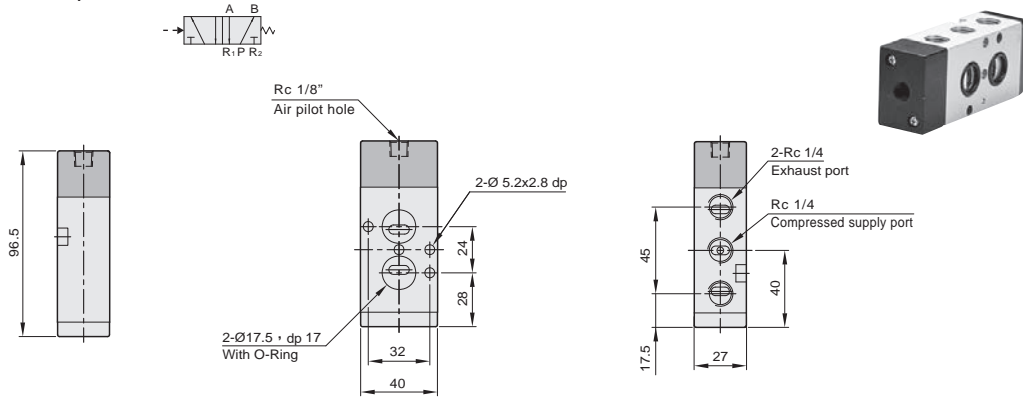
5 ports 2 positions pilot valve

External dimensions / Flank port / NAMUR

CHELIC PNEUMATIC

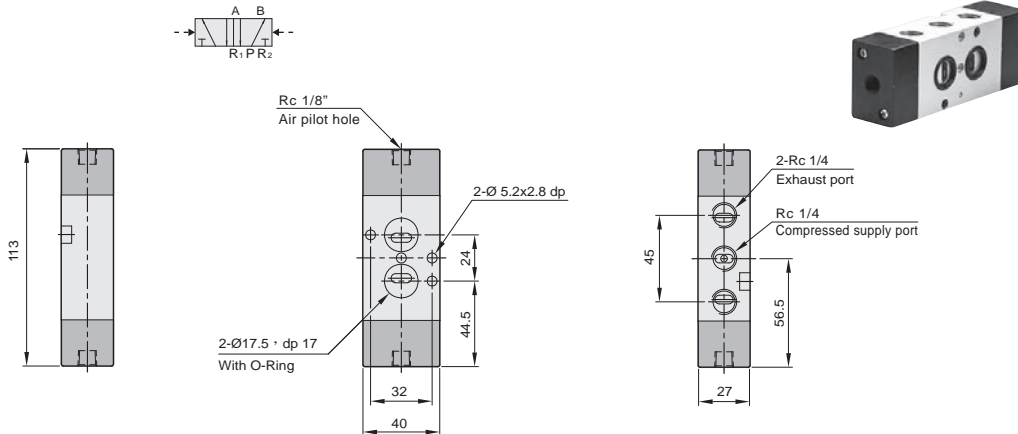
PN - 810 - □

Single air pilot
5 ports 2 positions



PN - 820 - □

Double air pilot
5 ports 2 positions



※ This model is only for air pilot ball valve without manifolds.

How to order

