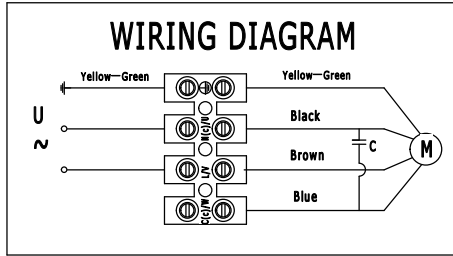


DRAWING NO

Wiring diagrams:

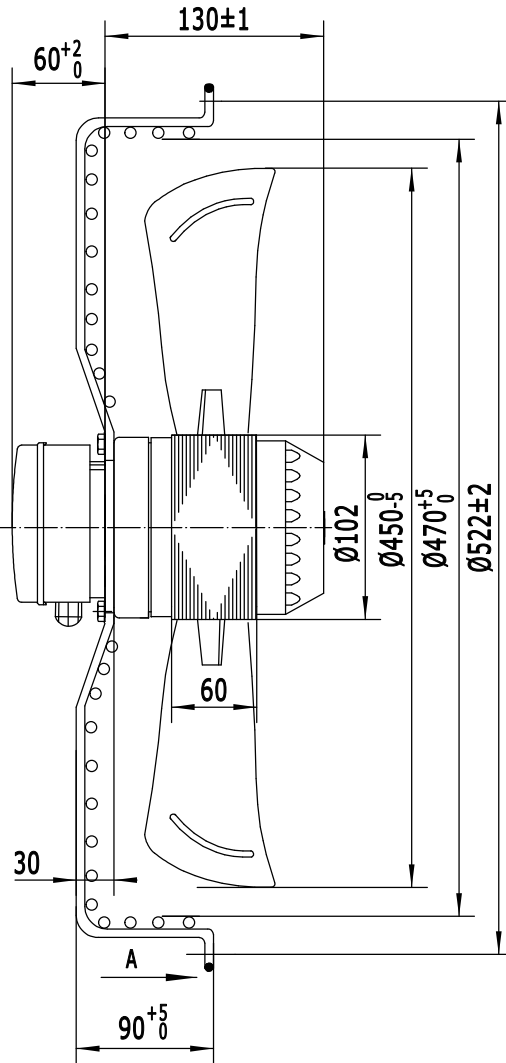
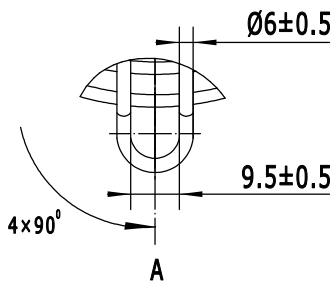


ErP2015 LABEL:

ErP2015 (N40)
 $N=41.11$ $\eta_{statA}=31.4\%$
 YWF4E-450S-P102/60

LABEL:

WEIGUANG® Axial Fan Motor
 YWF4E-450S
 P102/60-G
 220V 50Hz 1.15A 155/250W 1350r/min
 8 μ F/450V CL.B XX/XX



WEIGUANG® Axial fan motor

HANGZHOU WEIGUANG ELECTRONIC CO.,LTD

Unit: axial fan motor

Type:

Motor: single phase motor with capacitor

Customer:

Motor type:YWF4E-450S-P102/60-G

Customer-type:

| TYPE | Voltage v | Frequency Hz | Input power W | Current A | Speed r/min +/-5% | Air volume m ³ /h | noise level dBA | capacitor μ F/ VDB |
|----------------------|--------------|-----------------|------------------|--------------|----------------------|---------------------------------|--------------------|---------------------------|
| YWF4E-450S-P102/60-G | 220 | 50 | 250 | 1.15 | 1350 | 5050(20Pa) | 69 | / |

Insulation class : B

Operating type: S₁

Permissible ambient temperature : -30~60℃

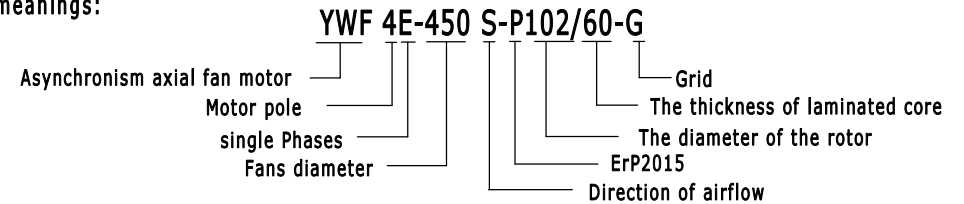
Temperature increase: $\Delta T \leq 75K$

Motor protection:thermocontact 135±5℃

Bearings: ball bearings

License: CE CCC

Model meanings:



Electrical connection:lead wire Silikon 4G 0.50mm² , Length 100mm in terminal box connected

Direction of rotation: clockwise(sucking), Airflow direction:"S" looking at rotor side

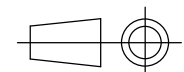
APPROX. WEIGHT

MEANS

| REV. | DESCRIPTION | APPROVED | DATE | DECIMAL | TOLERANCE | SIGN | DATE |
|------|-------------|----------|------|---------|-----------|---------|------|
| | | | | X | ±0.5 | DRN. BY | |
| | | | | X.X | ±0.25 | CHD. BY | |
| | | | | X.XX | ±0.15 | ENG. BY | |
| | | | | ANGLE | ±3° | APP. BY | |

TITLE **YWF4E-450S-P102/60-G**

PROJECTION



A4
 SCALE
 SHEET: of