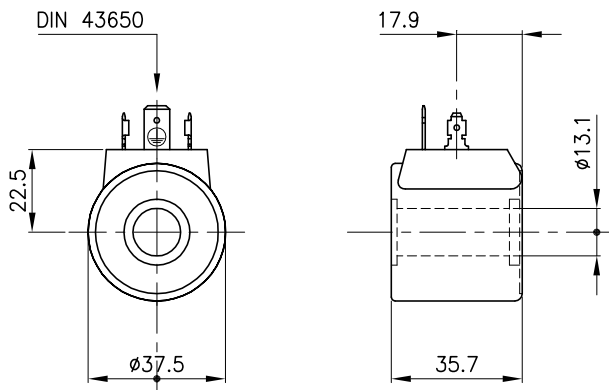


This Coils series, with connection DIN 43650, include all standard versions normally available.
 Protection Class (with connector assembled) IP 65 DIN 40050 Encapsulation with nylon 6 and fiberglass
 Insulation Coil Class F – VDE 0580 Insulation Copper wire Class H – VDE 0580

Coils **B20** Series (DIN 43650)

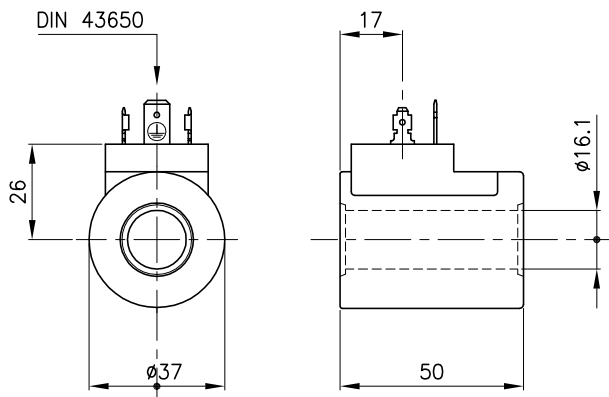


Power 18 Watt
 Voltage range +/- 10%
 Duty cycle ED 100%

* (1) Nominal current
 * (2) Resistance 20°C +/- 5%

Type	Code	Volt	Ampere * (1)	Ohm * (2)
B20-12C-18H	25 125 101	12	1.50	8
B20-24C-18H	25 125 102	24	0.75	32
B20-27C-18H	25 125 110	27	0.66	40.5
B20-24A-18H	25 125 103	19.4	0.93	20.9
B20-110A-18H	25 125 104	96	0.19	512
B20-220A-18H	25 125 105	194	0.09	2090

Coils **B30** Series (DIN 43650)

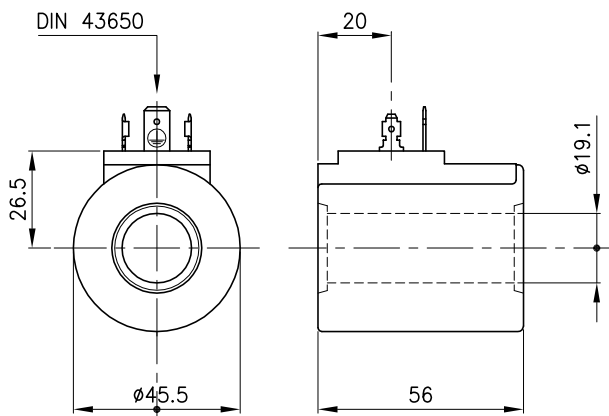


Power 28.5 Watt
 Voltage range +/- 10%
 Duty cycle ED 100%

* (1) Nominal current
 * (2) Resistance 20°C +/- 5%

Type	Code	Volt	Ampere * (1)	Ohm * (2)
B30-12C-28H	35 125 101	12	2.37	5.05
B30-24C-28H	35 125 102	24	1.19	20.2
B30-27C-28H	35 125 109	27	1.05	25.6
B30-24A-28H	35 125 103	19.4	1.46	13.2
B30-110A-28H	35 125 104	96	0.30	323
B30-220A-28H	35 125 105	194	0.15	1320

Coils **B50** Series (DIN 43650)



Power 33 Watt
 Voltage range +/- 10%
 Duty cycle ED 100%

* (1) Nominal current
 * (2) Resistance 20°C +/- 5%

Type	Code	Volt	Ampere * (1)	Ohm * (2)
B50-12C-33H	55 125 101	12	2.75	4.36
B50-24C-33H	55 125 102	24	1.38	17.45
B50-27C-33H	55 125 110	27	1.22	22.13
B50-24A-33H	55 125 103	19.4	1.70	11.40
B50-110A-33H	55 125 104	96	0.34	279.27
B50-220A-33H	55 125 105	194	0.17	1140.5