

Isolators

Isolating repeater

Ex i field circuit ISpac

9165/16-11-10s Art. No. 207909



- Compact one- and two-channel Ex i output isolating repeater
- Wire-breakage and short-circuit monitoring system, which can be disconnected and features a signalling contact
- Can be used up to SIL 2 (IEC/EN 61508)

WebCode 9165A



9165 series Ex i isolating repeaters can be used for the intrinsically safe operation of control valves, I/P transducers or indicators. They transmit superimposed HART communication signals in both directions. The input, output and auxiliary power are galvanically separated from one another. The two channels in the two-channel variants are galvanically separated from one another.

Technical Data

Explosion Protection

Application range (zones)	2
Ex interface zone	1 2 20 21 22
IECEX gas certificate	IECEX BVS 10.0011 X
IECEX gas explosion protection	Ex nA nC [ia Ga] IIC T4 Gc
IECEX dust certificate	IECEX BVS 10.0011 X
IECEX dust explosion protection	[Ex ia Da] IIIC
IECEX dust explosion protection	[Ex ia Da] IIIC
ATEX gas certificate	DMT 03 ATEX E 012 X
ATEX gas explosion protection	⊕ II 3 (1) G Ex nA nC [ia Ga] IIC T4 Gc
ATEX dust certificate	DMT 03 ATEX E 012 X
ATEX dust explosion protection	⊕ II (1) D [Ex ia Da] IIIC
Installation in Division NEC 500	(Class I, II, III) 2
Ex interface in Division NEC 500	(Class I, II, III) 1, 2
USA FM certificate	FM16US0122X
USA FM gas explosion protection	Class I, Div. 2, Groups A,B,C,D; Class I, Zone 2, AEx nA nC GP IIC, T4
USA FM intrinsically safe connection	CL I, DIV 2, GP A,B,C,D; CL I, ZONE 2, AEx nA nC GP IIC; AIS CL I,II,III, DIV 1, GP A,B,C,D,E,F,G; CL I, ZONE 0, [AEx ia] IIC; T4 at Ta = 70°C; SEE DOC. 91 656 01 31 1
Canada FM certificate	FM16CA0067X
Canada FM gas explosion protection	Class I, Div. 2, Groups A,B,C,D; Class I, Zone 2, Ex nA nC GP IIC, T4

Explosion Protection

Canada FM intrinsically safe connection	CL I, DIV 2, GP A,B,C,D; CL I, ZONE 2, Ex nA nC GP IIC; AIS CL I,II,III, DIV 1, GP A,B,C,D,E,F,G; CL I, ZONE 0, [Ex ia] IIC; T4 at Ta = 70°C; SEE DOC. 91 656 01 31 1
EAC certificate	TS RU S-DE.GB04.B.00353
EAC gas explosion protection	Ex 2 Ex nA nC [ia Ga] IIC T4 Gc X
EAC dust explosion protection	Ex [Ex ia Da] IIC
Certificates	ATEX (BVS), Canada (FM), EAC (STV), IECEx (BVS), India (PESO), Korea (KTL), Russia (Meteorological certificate), SIL (exida), USA (FM)
Ship approval	CCS, DNVGL

Safety Data

Maximum voltage U_o	25.6 V
Maximum current I_o	96 mA
Maximum power P_o	605 mW
Max. permissible external capacitance C_o for IIC	0.103 μ F
Max. permissible external capacitance C_o for IIB	0.8 μ F
Max. permissible external inductance L_o for IIC	1.9 mH
Max. permissible external inductance L_o for IIB	11 mH
Internal capacitance C_i	Negligible
Internal inductance L_i	Negligible
Safety-related maximum voltage	253 V

Functional Safety

SIL	2
-----	---

Electrical Data

Signal types	Analog output
Number of channels	1
LFD relay	No
Communication signal	HART

Auxiliary Power

Auxiliary power	24 V DC
Nominal voltage	24 V DC
Auxiliary power voltage range	18 ... 31,2 V
Voltage range residual ripple	$\leq 3,6 V_{SS}$
Nominal current	55 mA
Power consumption	1.3 W
Power dissipation max.	1.1 W
Polarity reversal protection	Yes
Operation indication	Green "PWR" LED

Galvanic Isolation

Test voltage according to standard	IEC EN 60079-11
Test voltage according to standard 2	EN 50178
Galvanic isolation input to auxiliary power	350 V AC

Input

Input	4 ... 20 mA with HART
Input signal	4 ... 20 mA with HART
Input functional range	4 – 24 mA
Input resistance	400 Ω
Message of line fault and auxilliary power failure	-

Output

Output	4 ... 20 mA with HART
Output residual ripple	≤ 50 mV
Load resistance R_L	0 ... 800 Ω
Open-circuit voltage U_o	22,5 V
Settling time 10 ... 90 %	≤ 100 μs
Output signal	4 ... 20 mA with HART
Output functional range	4 – 24 mA
Load resistance R_L max.	800 Ω
Average measurement fault	0,10%
Error detection wire breakage	UA > 16 V
Short circuit error detection	RL < 50 Ω
Indication of line fault	"LF" LED, red

Ambient Conditions

Ambient temperature	-20 °C ... +70 °C (Single device) -20 °C ... +60 °C (Group assembly)
Ambient temperature	-4°F ... +158°F (Single device) -4°F ... +140°F (Group assembly)
Storage temperature	-40 °C ... +80 °C
Storage temperature	-40°F ... +176°F
Relative humidity max.	95%
Use at the height of	< 2000 m
Electromagnetic compatibility	Tested to the following standards and regulations: EN 61326-1 Use in industrial environment

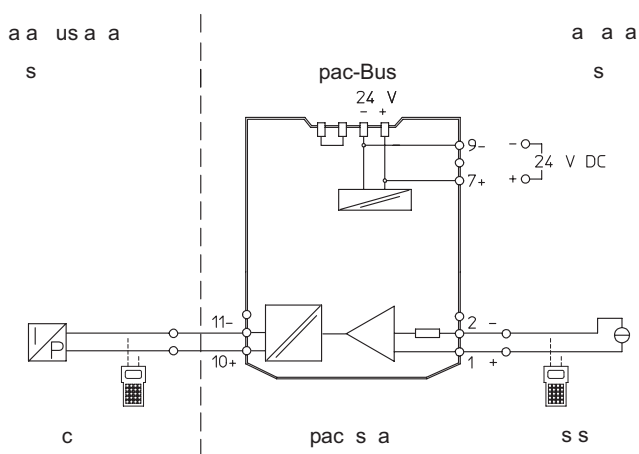
Mechanical Data

Degree of protection (IP)	IP30
Terminal degree of protection (IP)	IP20
Fire resistance (UL 94)	V0
Connection cross-section	0.25-2.5 mm ² flexible core end sleeve 0.2-2.5 mm ² rigid 0.2-2.5 mm ² flexible
Enclosure material	Polyamide
Clamping range AWG	24 – 12
Connection cross-section AWG	24 ... 12
Grid dimension	17.6 mm
Width inches	4.25 in
Mounting depth inches	4.51 in
Length inches	0.69 in
Weight	0.18 kg
Weight	0.4 lb

Mounting / Installation

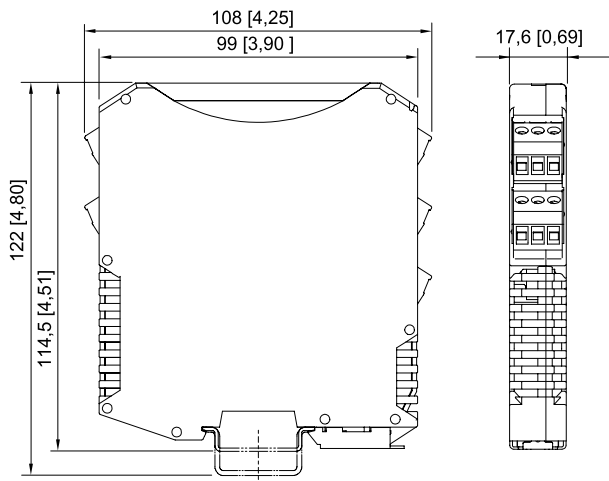
Mounting type	DIN rail (NS35/15, NS35/7.5)
Mounting position	Horizontal Vertical
Connection type	Screw terminal
Conductor cross-section solid min.	0.2 mm ²
Conductor cross-section solid max.	2.5 mm ²
Conduct cross-section flexible max.	0.2 mm ²
Conduct cross-section flexible max.	2.5 mm ²

Technical Drawings – Subject to Alterations



Connection Diagram 9165/16-11-10

Dimensional Drawings (All Dimensions in mm [inches]) – Subject to Alterations



ISpac Series 9146, 9147, 9160, 9162, 9163, 9165, 9167, 9170, 9172, 9175, 9176, 9180, 9182, 9193 with screw terminal

Isolators

Isolating repeater

Ex i field circuit ISpac

9165/16-11-10s Art. No. 207909



Accessories and Spare Parts

Screw terminal		Art. No.
	3-pole plug, screw connector thread: M3 stripping length: 7 mm colour: green	112817
	3-pole plug, screw connector thread: M3 stripping length: 7 mm colour: black	112816
	3-pole plug, screw connector thread: M3 stripping length: 7 mm colour: blue	112818
Screw terminal with test tap		Art. No.
	3-pole plug with test tap, screw connector thread: M3 stripping length: 7 mm colour: black	113005
	3-pole plug with test tap, screw connector thread: M3 stripping length: 7 mm colour: blue	113004
Spring clamp terminal		Art. No.
	3-pole plug with test tap, spring clamp connection stripping length: 10 mm colour: green	112825
	3-pole plug with test tap, spring clamp connection stripping length: 10 mm colour: black	112824
	3-pole plug with test tap, spring clamp connection stripping length: 10 mm colour: blue	112826
Front cover		Art. No.
	yellow, transparent. Clear marking of the device for SIL applications. (Packaging unit: 10 pieces)	200914

We reserve the right to make alterations to the technical data, dimensions, weights, designs and products available without notice. The illustrations cannot be considered binding.