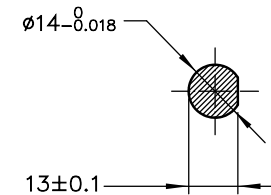
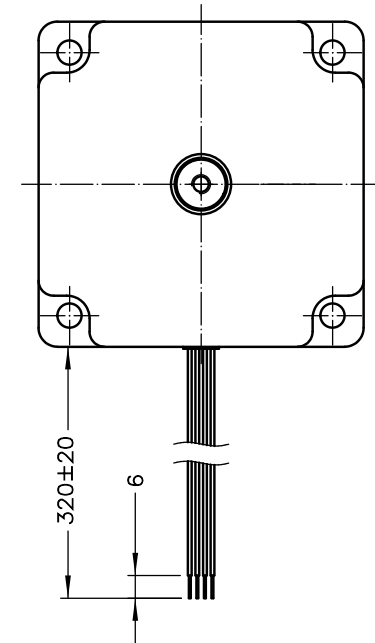
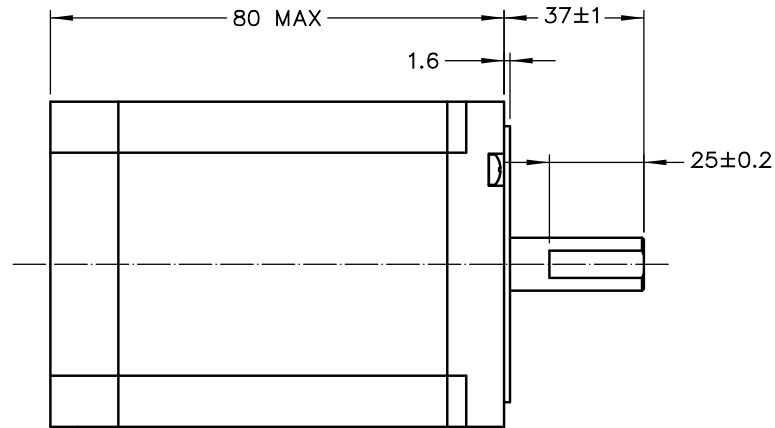
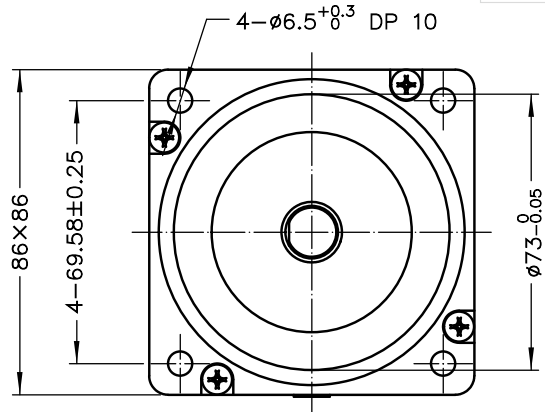




34H2080-300-4A-001-Q

DINGS' MOTION yyyy/mm/dd

Rev	Zone	Description	By	Date
0		Initial Release	Randy	2018/02/02



MOTOR PHASE	-	2
STEP ANGLE	° ±5%	1.8
RATED VOLTAGE	V	-
RATED CURRENT	A	3
PHASE RESISTANCE	Ohm ±10% / 20° C	1.4
PHASE INDUCTANCE	mH ±20% / 1KHz	11.5
ROTARY INERTIA	g • cm <sup>2</sup>	1800
HOLDING TORQUE	N • m	4.5
REDUCTION RATIO	-	-
INSULATION CLASS	-	B
TEMPERATURE RISE	° C	80
DIELECTRIC STRENGTH	AC500V / 1 KHz 1mA 1s	
INSULATION RESISTANCE	MOhm / DC500V	100
DUTY TYPE	-	S1
MASS	g	2500

WIRING	EXCITATION																
	UL 1430																
	AWG 20																
	CCW																
	<table border="1"> <tr><td>BLK</td><td>A</td><td>+</td><td>-</td></tr> <tr><td>GRN</td><td>A'</td><td>-</td><td>+</td></tr> <tr><td>RED</td><td>B</td><td>+</td><td>-</td></tr> <tr><td>BLU</td><td>B'</td><td>-</td><td>+</td></tr> </table>	BLK	A	+	-	GRN	A'	-	+	RED	B	+	-	BLU	B'	-	+
	BLK	A	+	-													
GRN	A'	-	+														
RED	B	+	-														
BLU	B'	-	+														
CW																	

NOTICE TO PERSONS RECEIVING THIS DRAWING

THIS DRAWING IS ONLY CONDITIONALLY ISSUED, AND FOR THE SOLE PURPOSE OF INFORMING LICENSEES AND ASSOCIATE CONTRACTORS OF DINGS' MOTION, AND VENDORS THERETO AND CUSTOMERS THEREOF, RECEIPT OR POSSESSION THEREOF DOES NOT CONFER TO TRANSFER ANY RIGHT IN THE SUBJECT MATTER OF THE DRAWING. THE DESIGN, CONSTRUCTION, TECHNICAL INFORMATION AND ALL OTHER SUBJECT MATTER IN THIS DRAWING ARE AND REMAIN, EXCEPT AS MAY BE OTHERWISE INDICATED BY WRITTEN NOTICE HEREON, THE EXCLUSIVE PROPERTY OF SAID CORPORATION. THIS DRAWING MAY BE REPRODUCED ONLY BY LICENSEES AND ASSOCIATE CONTRACTORS OF SAID CORPORATION AND ONLY FOR LICENSED MANUFACTURE, AND BY VENDORS MANUFACTURING FOR SAID CORPORATION AND ONLY FOR LICENSEES AND ASSOCIATE CONTRACTORS.

	UNLESS OTHERWISE SPECIFIED ALL DIMENSIONS ARE IN MILLIMETERS AND TOLERANCES ARE AS BELOW.	DRAWN	Randy	DATE	2018/02/02
		APPRVD		DATE	
		MODEL	34H2080-300-4A-001-Q		
		SIZE	A4	SHEET	1/1
		SCALE	1:2	REV	0