

# Type B6N Load Cell



## Short description



- Stainless steel IP67 single point load cell
- Bending beam  
Suitable for weighing equipment like platform and belt scales
- Maximum platform size: 400 x 400 mm



test certificate no. TC8009 Revision 0  
C of C no R60/2000-NL1-10.27  
R60/2000-DE1-10.04

## Available models

Capacity	Accuracy	Full article description
8kg	C3/C4	B6N-C3/C4-8kg-1B6
10kg	C3/C4	B6N-C3/C4-10kg-1B6
15kg	C3/C4	B6N-C3/C4-15kg-1B6
20kg	C3/C4	B6N-C3/C4-20kg-1B6
30kg	C3/C4	B6N-C3/C4-30kg-1B6
50kg	C3	B6N-C3-50kg-1B6
75kg	C3	B6N-C3-75kg-1B6
100kg	C3	B6N-C3-100kg-1B6
150kg	C3	B6N-C3-150kg-1B6
200kg	C3	B6N-C3-200kg-1B6

Specifications and dimensions are subject to change without notice and do not constitute any liability whatsoever.

# Type B6N Load Cell

## Technical specifications B6N

Accuracy class		OIML R60 C3		OIML R60 C4
Output sensitivity ( = FS )	mV/V	2.0 ± 0.002		
Maximum capacity ( E <sub>max</sub> )	kg	8, 10, 15, 20, 30	50, 75, 100, 150, 200	8, 10, 15, 20, 30
Max. number of load cell intervals	n <sub>LC</sub>	3000		4000
Ratio of min. LC verification interval	Y = E <sub>max</sub> / v <sub>min</sub>	10000	9000	15000
Combined Error	%FS	≤± 0.0230		≤± 0.0175
Minimum dead load	Of E <sub>max</sub>	0%		
Safe overload	of E <sub>max</sub>	150 %		
Ultimate overload	of E <sub>max</sub>	300 %		
Zero balance	of FS	< ± 1.0 %		
Excitation, recommended voltage	V	5 ~ 12		
Excitation maximum	V	18		
Input resistance	Ω	430 ± 60		
Output resistance	Ω	351 ± 2		
Insulation resistance	MΩ	≥5000 ( at 50VDC )		
Compensated temperature	°C	-10 ~ +40		
Operating temperature	°C	-35 ~ +65		
Storage temperature	°C	-40 ~ +70		
Element material		Stainless steel		
Ingress Protection (acc. to EN 60529)		IP67		
Recommended torque on fixation	Nm	M6: 10		
ATEX classification (optional)		II1G Ex ia II1C T4	II1D Ex iaD 20 T73°C	II3G nL IIC T4

## Wiring

### Features:

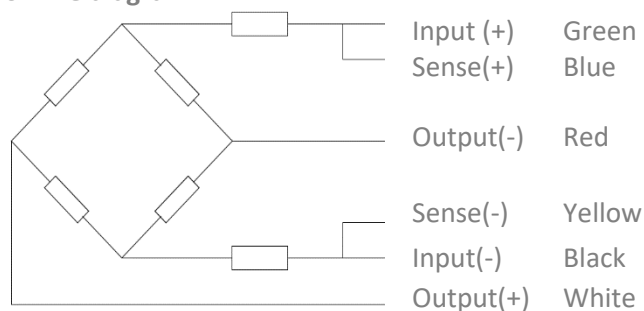
Shielded, 6 conductor cable.

Cable diameter: Ø5mm

Standard cable length: 1m

Shield not connected to element

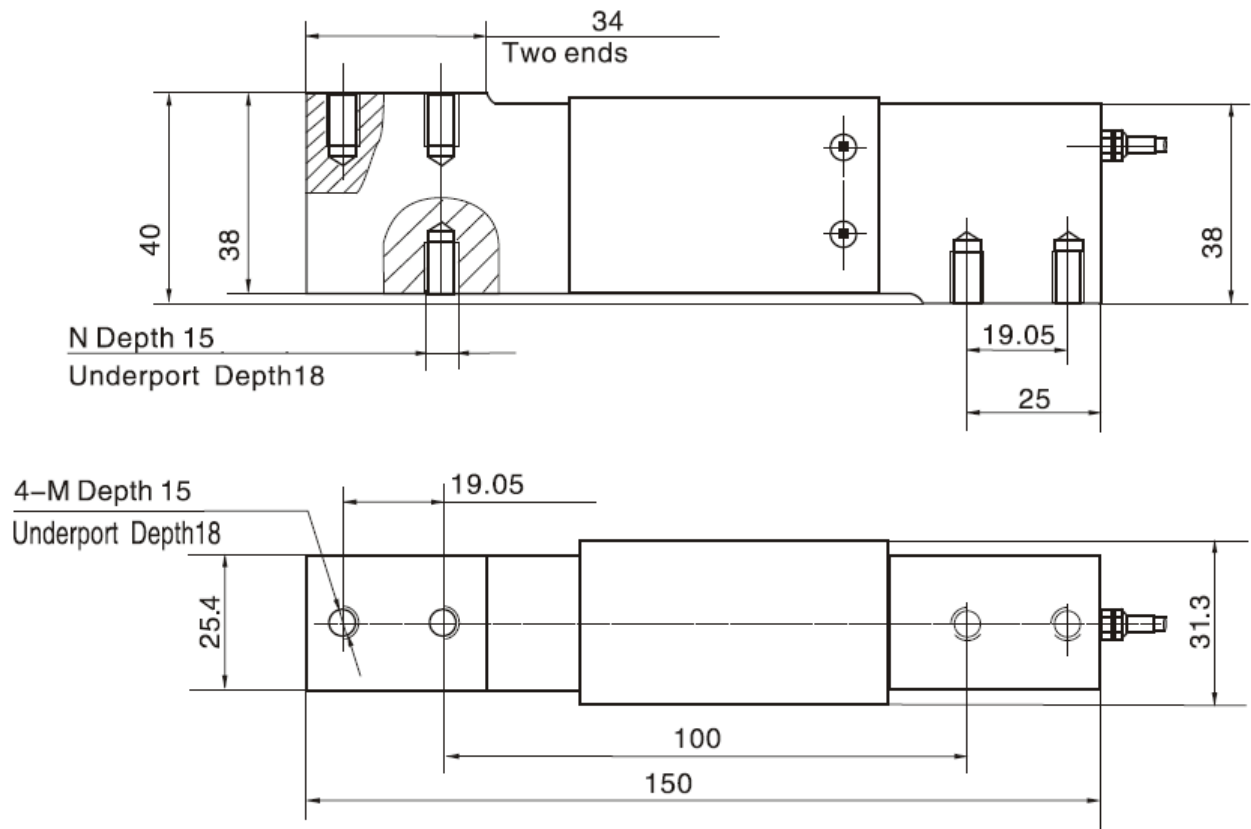
### 6-wire diagram



Specifications and dimensions are subject to change without notice and do not constitute any liability whatsoever.

# Type B6N Load Cell

Dimensions in mm



Dimension Capacity	M	N
8 – 200kg	M6	M6

Specifications and dimensions are subject to change without notice and do not constitute any liability whatsoever.