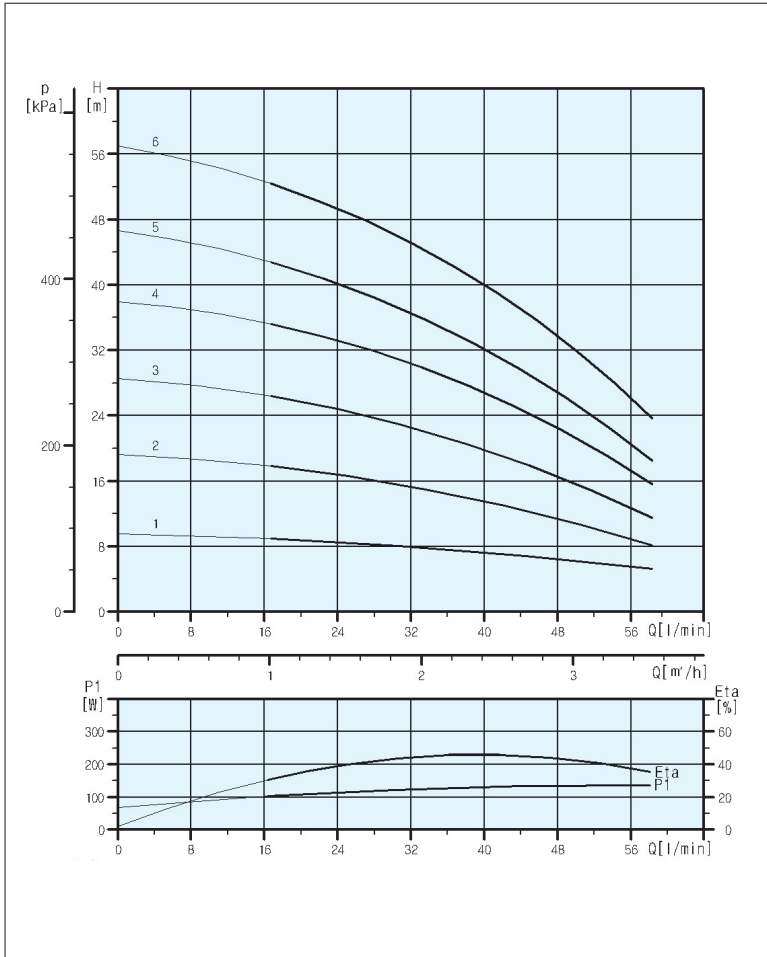


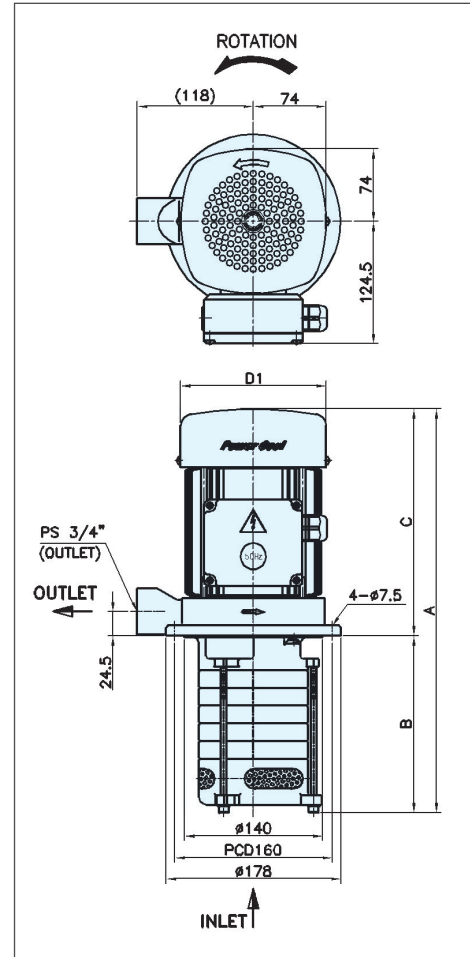
# Coolant pumps

## ACHK2 - 50Hz

### Performance range 성능 곡선



### External dimensions 외형도



### Electrical data 3Ø 200V/380V/415V 50Hz

Pump type	Motor		Current (A)	Motor Efficiency (%)
	Frame No.	(P2) kW		
ACHK 2-30/1	F80	0.37	2.02 / 1.06 / 0.97	68
ACHK 2-30/2	F80	0.37	2.02 / 1.06 / 0.97	68
ACHK 2-30/3	F80s	0.55	2.50 / 1.32 / 1.21	73
ACHK 2-40/4	F80S	0.55	2.50 / 1.32 / 1.21	73
ACHK 2-50/5	F80M	0.75	3.3 / 1.9 / 1.7	77.4
ACHK 2-60/6	F80L	1.1	4.4 / 2.5 / 2.3	79.6
ACHK 2-90/6	F80L	1.1	4.4 / 2.5 / 2.3	79.6
ACHK 2-100/6	F80L	1.1	4.4 / 2.5 / 2.3	79.6
ACHK 2-110/6	F80L	1.1	4.4 / 2.5 / 2.3	79.6

### Dimensions

Dimensions(mm)				Net weight (kg)
A	B	C	D1	
375	144	231	148	10.7
375	144	231	148	10.8
395	144	251	148	11.1
413	162	251	148	16.2
446	180	266	148	11.8
489	198	291	148	18.1
543	252	291	148	15.1
561	270	291	148	15.5
579	288	291	148	15.6