

GFC Series



Specification

Model	GFC200-06	GFC200-08	GFC300-08	GFC300-10	GFC300-15	GFC400-10	GFC400-15	GFC600-20	GFC600-25	
Fluid	Air									
Port size	1/8"	1/4"	1/4"	3/8"	1/2"	3/8"	1/2"	3/4"	1"	
Filtering grade	40 μm or 5 μm									
Pressure range	Semi-auto and automatic drain: 0.15~0.9MPa(20~130psi); Manual drain: 0.05~0.9MPa(7~130psi)									
Max. pressure	1.0MPa(145psi)									
Proof pressure	1.5MPa(215psi)									
Temperature range	-5~70°C									
Capacity of drain bowl	10CC		40CC			80CC		230CC		
Capacity of oil bowl	25CC		75CC			160CC		380CC		
Recommended lubricant	ISO VG 32 or equivalent									
Weight	430g		980g			1950g		4320g		
Constitute	Filter-Regulator	GFR200-06	GFR200-08	GFR300-08	GFR300-10	GFR300-15	GFR400-10	GFR400-15	GFR600-20	GFR600-25
	Lubricator	GL200-06	GL200-08	GL300-08	GL300-10	GL300-15	GL400-10	GL400-15	GL600-20	GL600-25

① PT thread, NPT thread and G thread are available.

Ordering code

GFC200 08 M L □ F 1 W □ K

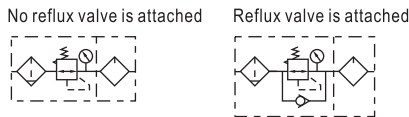
- Model**
 - GFC200: G200 Series FR.L unit
 - GFC300: G300 Series FR.L unit
 - GFC400: G400 Series FR.L unit
 - GFC600: G600 Series FR.L unit
- Port size**

Model	Port size
GFC200	06: 1/8"
	08: 1/4"
GFC300	08: 1/4"
	10: 3/8"
GFC400	15: 1/2"
	20: 3/4"
GFC600	25: 1"
- Code of reflux valve** ②
 - Blank: No reverse flow valve is attached
 - K: Reverse flow valve is attached
- Thread type**
 - Blank: PT
 - T: NPT
 - G: G
- Filtering grade**
 - Blank: 40 μm
 - W: 5 μm
- Scale**
 - 1: MPa
 - 2: psi
 - 3: bar
- Drain type**

Drain type	Adaptable product's series
Blank: Semi-auto drain	GFC200, GFC300
M: Manual drain	GFC400, GFC600
A: Automatic drain	GFC300, GFC400, GFC600
- Type code**
 - Blank: Standard
 - L: Lower pressure ①
- Pressure gauge shape**
 - F: Square
 - C: Circular
- Pressure gauge**
 - Blank: Pressure gauge
 - N: No pressure gauge

① The maximum work pressure of lower pressure type is 0.4MPa(58psi). ② Please refer to page 144 for details of reflux valve.

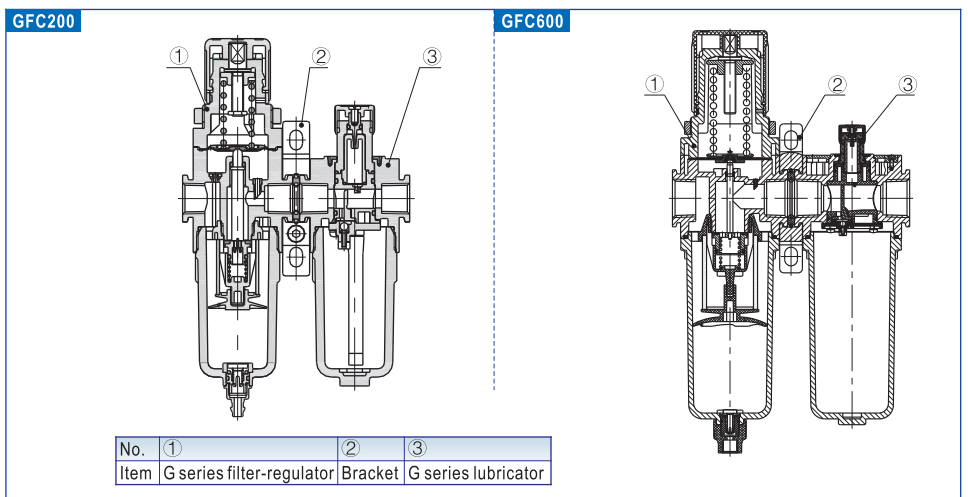
Symbol



Product feature

1. Quick and reliable mounting clamps makes it convenient to install and use.
2. The performance of pressure adjustment is reliable with high precision.
3. The efficiency of eliminating moisture and solid grain is high.
4. Three drain types are available: manual drain, semi-auto drain and automatic drain.

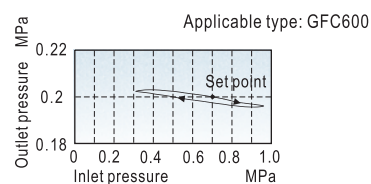
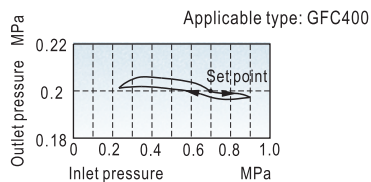
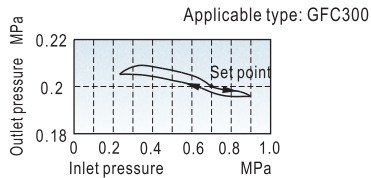
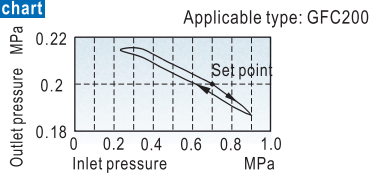
Inner structure



GFC Series

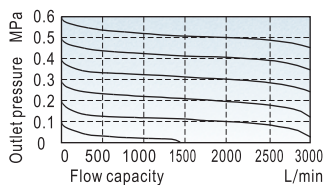
Pressure and feature of flow

Pressure chart

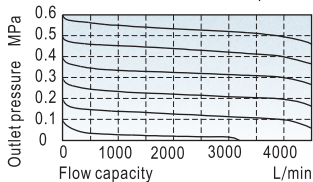


Flow chart

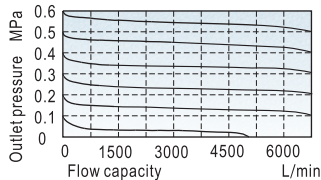
Applicable type: GFC200
Inlet pressure: 0.7MPa



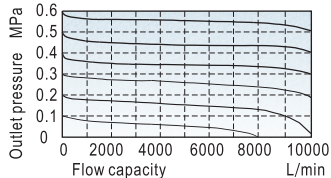
Applicable type: GFC300
Inlet pressure: 0.7MPa



Applicable type: GFC400
Inlet pressure: 0.7MPa

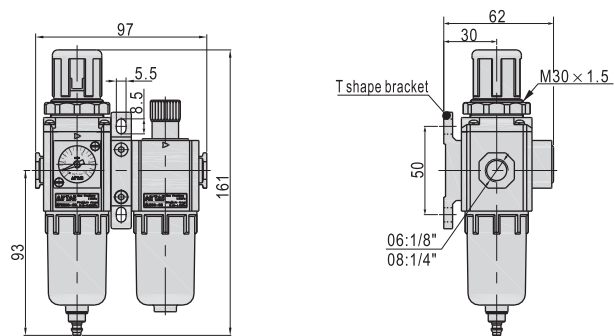


Applicable type: GFC600
Inlet pressure: 0.7MPa

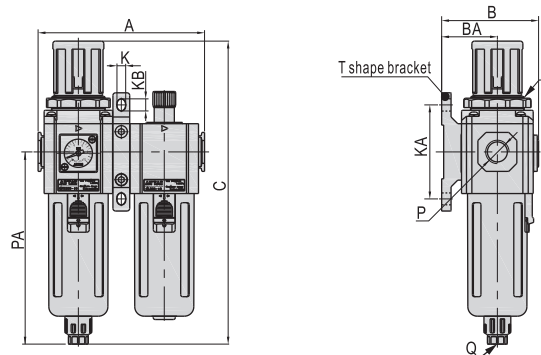


Dimensions

GFC200



GFC300/GFC400



Model/Item	A	B	BA	C	D	K	KA	KB	P	PA	Q
GFC300-08	124	72	41.5	225.5	M40x1.5	6.5	70	9	1/4"	143	1/8"
GFC300-10	124	72	41.5	225.5	M40x1.5	6.5	70	9	3/8"	143	1/8"
GFC300-15	124	72	41.5	225.5	M40x1.5	6.5	70	9	1/2"	143	1/8"
GFC400-10	164	89	50	270.5	M55x2.0	8.5	80	12	3/8"	166.5	1/4"
GFC400-15	164	89	50	270.5	M55x2.0	8.5	80	12	1/2"	166.5	1/4"

GFC600

