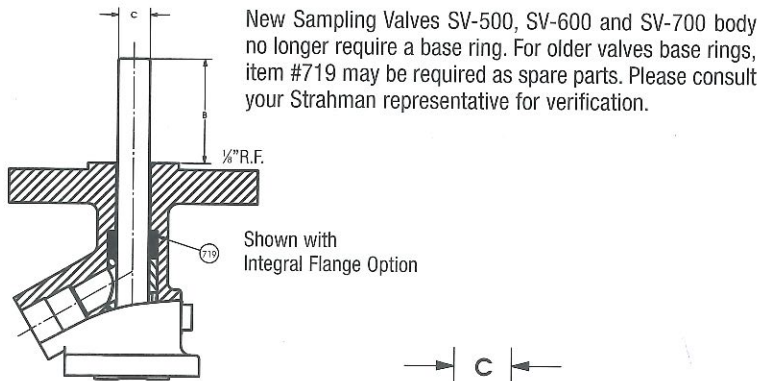
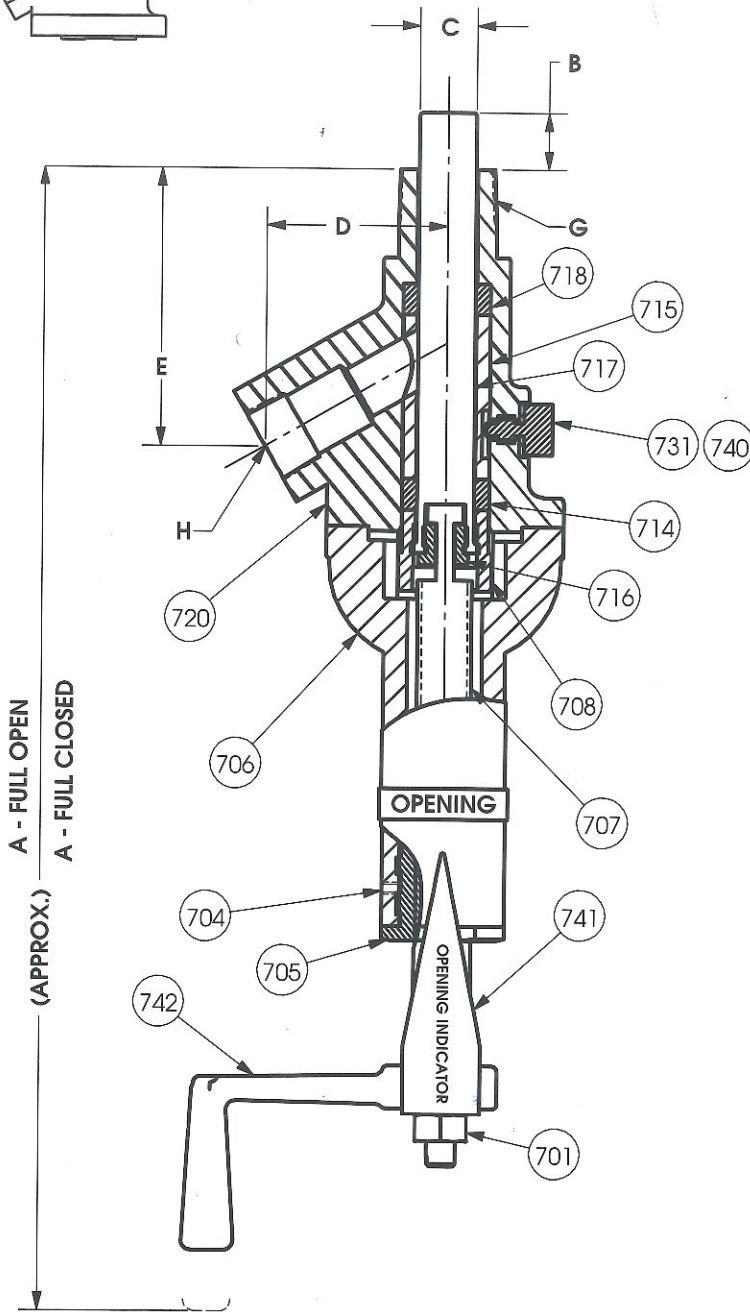


# Hand Operated Sampling Valves SV-500, SV-600, SV-700 and SV-800



New Sampling Valves SV-500, SV-600 and SV-700 body no longer require a base ring. For older valves base rings, item #719 may be required as spare parts. Please consult your Strahman representative for verification.

Shown with Integral Flange Option



A - FULL OPEN  
A - FULL CLOSED  
(APPROX.)

Item	Name	Standard Material
701	Lock Nut	Stainless Steel Type 304
704	Bushing Lock Screw	Stainless Steel Type 304
*705	Bushing	Bronze
706	Bonnet	Stainless Steel Type 304
*707	Stem	Stainless Steel Type 416
708	Gland	Stainless Steel Type 304
712	Bonnet Nuts	Stainless Steel Type 303
713	Bonnet Studs	Stainless Steel Type 304
*714	Gland Ring	TFE
<u>715</u>	<u>Cage</u>	Stainless Steel Type 316
*716	Split Nut	Stainless Steel Type 316
*717	<u>Piston</u>	Stainless Steel Type 316
*718	Inlet Ring	TFE
719	Base Ring	
<u>720</u>	<u>Body</u>	Stainless Steel Type 316
724	Gland Nuts	Stainless Steel Type 303
725	Gland Studs	Stainless Steel Type 304
731	Cage Lock	Stainless Steel Type 316
*740	Cage Lock Gasket	RTFE
741	Opening Indicator	Stainless Steel Type 304
742	Crank Handle	Malleable Iron

\*Denotes recommended spare parts  
Wetted parts underlined

SV-500 1/2" x 1/2" ANSI 600							
A Closed	A Open	B	C	D	E	G NPT	H NPT
11 3/8"	13 3/4"	0"	.243"	1 7/8"	3 1/2"	3/8"	1/4"
13 3/8"	17 3/4"	2"	.243"	1 7/8"	3 1/2"	3/8"	1/4"
15 3/8"	21 3/4"	4"	.243"	1 7/8"	3 1/2"	3/8"	1/4"
17 3/8"	25 3/4"	6"	.243"	1 7/8"	3 1/2"	3/8"	1/4"

SV-600 1/2" x 3/8" ANSI 600							
A Closed	A Open	B	C	D	E	G NPT	H NPT
11 3/8"	13 3/4"	0"	.368"	1 7/8"	3 1/2"	1/2"	3/8"
13 3/8"	17 3/4"	2"	.368"	1 7/8"	3 1/2"	1/2"	3/8"
15 3/8"	21 3/4"	4"	.368"	1 7/8"	3 1/2"	1/2"	3/8"
17 3/8"	25 3/4"	6"	.368"	1 7/8"	3 1/2"	1/2"	3/8"

SV-700 1/2" x 1/2" & 3/8" x 3/8" ANSI 600							
A Closed	A Open	B	C	D	E	G NPT	H NPT
11 3/8"	13 3/4"	0"	.590"	1 7/8"	3 1/2"	3/4"	1/2", 3/4"
13 3/8"	17 3/4"	2"	.590"	1 7/8"	3 1/2"	3/4"	1/2", 3/4"
15 3/8"	21 3/4"	4"	.590"	1 7/8"	3 1/2"	3/4"	1/2", 3/4"
17 3/8"	25 3/4"	6"	.590"	1 7/8"	3 1/2"	3/4"	1/2", 3/4"

SV-800 1" x 3/4" & 1" x 1" ANSI 600							
A Closed	A Open	B	C	D	E	G NPT	H NPT
12 5/8"	15 1/2"	0"	.787"	2 3/8"	3 5/8"	1"	3/4", 1"
14 5/8"	19 1/2"	2"	.787"	2 3/8"	3 5/8"	1"	3/4", 1"
16 5/8"	23 1/2"	4"	.787"	2 3/8"	3 5/8"	1"	3/4", 1"
18 5/8"	27 1/2"	6"	.787"	2 3/8"	3 5/8"	1"	3/4", 1"

"B" DIM ± 1/6"  
"C" DIM ± .002"

Forward Deck details see page 7, Item #712, #713, #724, #725

Standard Vacuum Rating .94 PSIA

PED Compliant