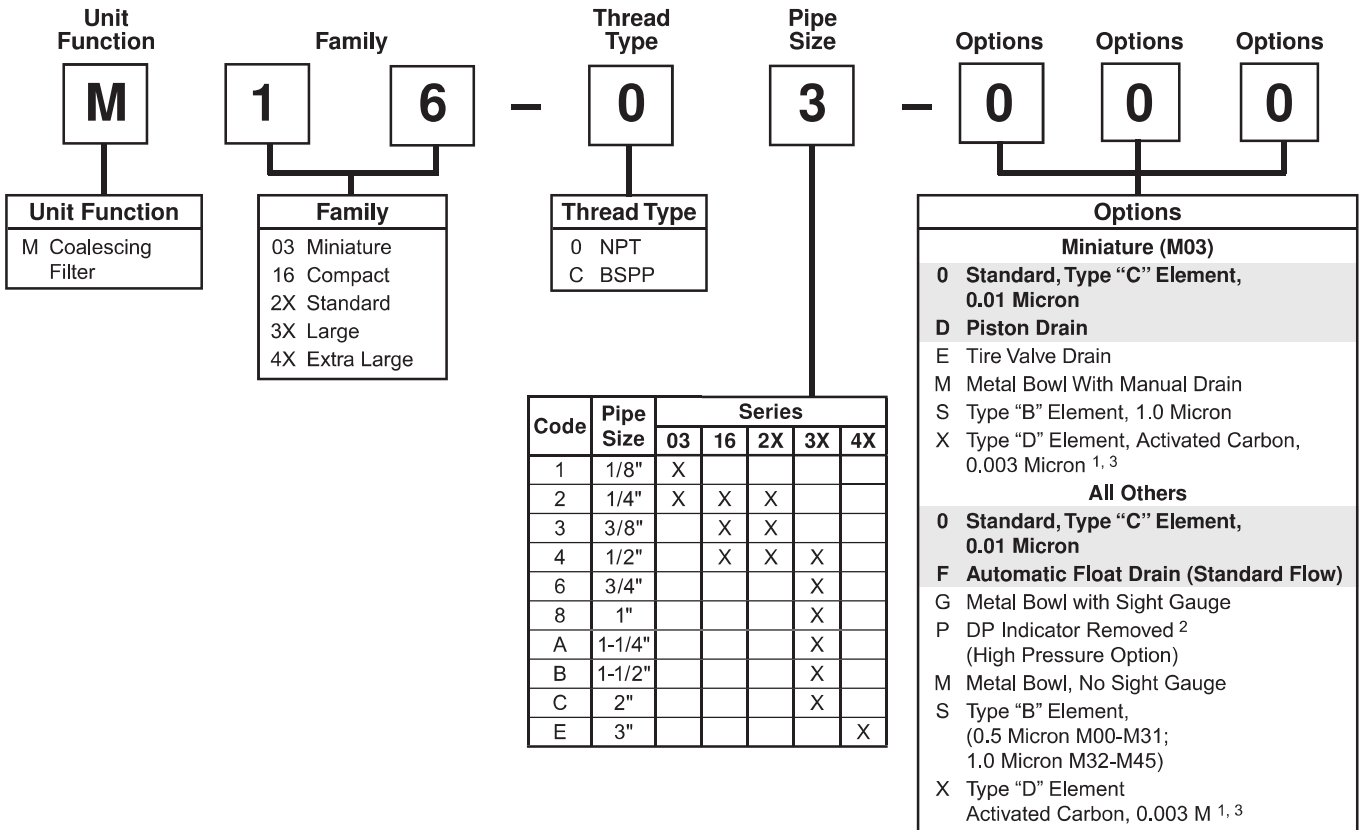


# Coalescing Filter Numbering System    = "Most Popular"



Code	Pipe Size	Series				
		03	16	2X	3X	4X
1	1/8"	X				
2	1/4"	X	X	X		
3	3/8"		X	X		
4	1/2"		X	X	X	
6	3/4"				X	
8	1"				X	
A	1-1/4"				X	
B	1-1/2"				X	
C	2"				X	
E	3"					X

<sup>1</sup> Auto Float Drains not available with M16, M26- units with Type "D" Activated Carbon Elements.

<sup>2</sup> Except Models M5X.

<sup>3</sup> Units with Type "D" element do not contain DP indicator.

**"M" Series Coalescing Filters, with Type "B" 0.5 micron elements:** All Wilkerson Type "M" Oil Removal (Coalescing) Filters with Type "B" 0.5 micron elements **exceed ISO Class 2** for maximum particle size and concentration of solid contaminants, and exceed Class 3 on maximum oil content (ppm/wt).

**"M" Series Coalescing Filters, with Type "C" 0.01 micron elements:** All Wilkerson Type "M" Oil Removal (Coalescing) Filters with Type "C" 0.01 micron elements **exceed ISO Class 1** for maximum particle size and concentration of solid contaminants, and exceed Class 1 on maximum oil content (ppm/wt).

**"M" Series Adsorption Filters, with Type "D" activated carbon elements:** All Wilkerson Type "M" adsorption filters with Type "D" activated carbon elements **exceed ISO Class 1** on maximum oil content (ppm/wt).

**NOTE:** All classes above refer to International Standards Organization (ISO) standard 8573-1:1991(E), pertaining to maximum particle size and concentration of solid contaminants, and maximum oil content.

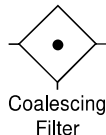
**If more than one option is desired, arrange them in alphabetical order in positions 6, 7, and 8.**

**NOTE: 000 in position 6, 7, and 8 signifies standard product.**

# Coalescing Filter

## M32

= "Most Popular"



M32-08-000

### Features

- Heavy-duty Cast Aluminum Housings to Withstand Operating Pressures Up to 300 PSIG †
- Differential Pressure Indicator to Eliminate the Guesswork of Element Replacement
- Manual Drain
- High-flow Filter Elements: Coalescing, 1 Micron and 0.01 Micron

### Specifications

Flow Capacity*	1 1-1/4	419 SCFM (197 dm <sup>3</sup> /s) 741 SCFM (350 dm <sup>3</sup> /s)
Maximum Supply Pressure	without DP2 with DP2	300 PSIG (20.7 bar)† 150 PSIG (10.3 bar)
Operating Temperature	32° to 150°F (° to 65.5°C)	
Port Size	NPT / BSPP-G	1, 1-1/4
Standard Filtration	Micron	(B1) 1.0, (C) 0.01 (D) 0.003 ppm / wt**
Weight	13 lb. (5.9 kg)	

\* Inlet pressure 150 PSIG (10.3 bar). Pressure drop of 3 PSID (0.2 bar).  
 \*\* Filtration temperature of 70°F (21°C) @100 PSIG (6.9 bar) with typical compressor lubricating oil and protected by Type "C" filter.  
 † Without Differential Pressure Indicator – Max. supply pressure is 300 PSIG (20.7 bar).

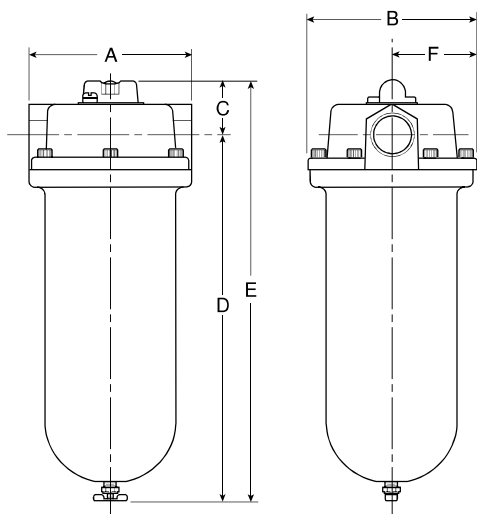
**"M" Series Coalescing Filters, with Type "B1" 1.0 micron elements:** All Wilkerson Type "M" Oil Removal (Coalescing) Filters with Type "B1" 1.0 micron elements **exceed ISO** Class 2 for maximum particle size and concentration of solid contaminants, and exceed Class 3 on maximum oil content (ppm/wt).

**"M" Series Coalescing Filters, with Type "C" 0.01 micron elements:** All Wilkerson Type "M" Oil Removal (Coalescing) Filters with Type "C" 0.01 micron elements **exceed ISO** Class 1 for maximum particle size and concentration of solid contaminants, and exceed Class 1 on maximum oil content (ppm/wt).

**"M" Series Adsorption Filters, with Type "D" 0.003 micron activated carbon elements:** All Wilkerson Type "M" adsorption filters with Type "D" 0.003 micron activated carbon elements **exceed ISO** Class 1 on maximum oil content (ppm/wt).

### Materials of Construction

Body	Aluminum	
Bowls	Aluminum	
Element Retainer	Brass Nut / Steel Stud	
Filter Elements	Type "B1", "C" Type "D"	Borosilicate Cloth Activated Carbon
Seals	Fluorocarbon	



### Dimensions

Models	Inches (mm)	A	B	C	D	E	F
Standard Unit M32-XX-000		6.20 (157)	6.40 (163)	2.10 (53)	13.90 (353)	16.00 (406)	3.20 (81.3)
Automatic Drain M32-XX-F00		6.20 (157)	6.40 (163)	2.10 (53)	14.04 (356.6)	16.14 (410)	3.20 (81.3)

= "Most Popular"

**Replacement Bowl Kit**

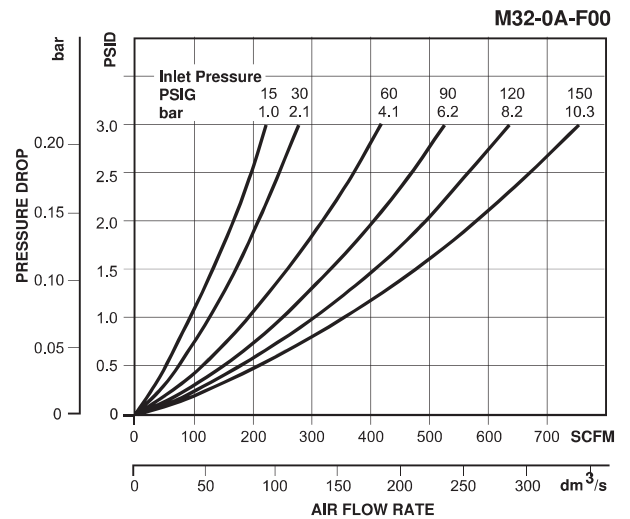
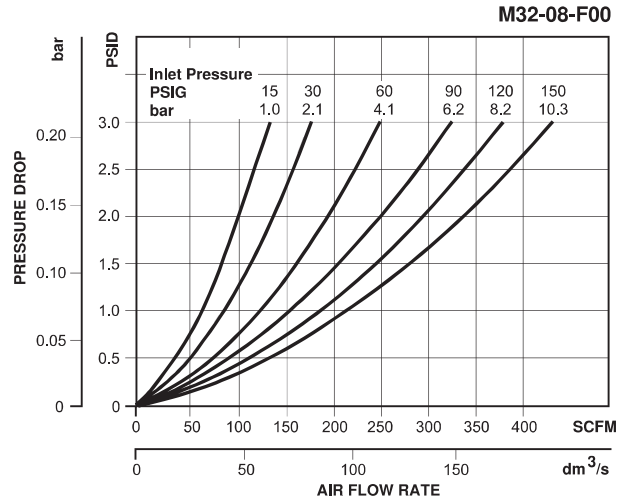
Gasket, Bowl, Fluorocarbon (1 per Kit) ..... GRP-95-288

**Replacement Element Kits**

Type "B1", 1.0 Micron ..... MSP-95-873  
 Type "C", 0.01 Micron ..... MTP-95-559  
 Type "D", Oil Vapor Removing ..... MXP-95-558

**Accessories**

Automatic Mechanical Drain ..... GRP-95-981  
 Cap, Differential Pressure Indicator –  
 For pressures over 150 PSIG, 10,3 bar ..... GRP-95-020  
 Gauge, Differential Pressure ..... DP3-01-000  
 Indicator, Differential Pressure ..... DP2-01-000



**Ordering Information**

Model Type	Port Size	Metal Bowl / "C" Element	Metal Bowl / "B1" Element	Metal Bowl / "D" Element (No DPI)
Manual Drain	1	M32-08-000	M32-08-S00	M32-08-X00
	1-1/4	M32-0A-000	M32-0A-S00	M32-0A-X00
Automatic Drain	1	M32-08-F00	M32-08-FS0	—
	1-1/4	M32-0A-F00	M32-0A-FS0	—

Options - To order an option supplied with the unit model, add the appropriate coded suffix letter in the designated position of the model number

