



KIT LUBE



DISPENSERS



PUMPS



METERS



NOZZLE METERS



NOZZLES

EASY K40

FEATURES

- NO CALIBRATION REQUIRED
- EASY TO RESET
- PARTIAL AND FULL TOTALIZER
- NON RESETTABLE TOTALIZER
- NO BATTERY NEEDED
- MECHANICAL RESET BUTTON
- SWIVEL

The Piusi Easy K40 is the simplest solution for the delivery and measuring of oil. It is composed by the ergonomic Easy Oil nozzle and the K40 meter.

PERFORMANCE

up to

30 L/MIN

(up to 7,8 gpm)

FLOW RATE

± 1%

ACCURACY

up to

2000 CST

VISCOSITY

70BAR

PRESSURE



EASY K40 WITH FLEXIBLE SPOUT



with rigid spout

without spout



PACKAGING

CODE	WEIGHT		PACKAGING			N. BOXES/ EUROPALLET	
	KG	LBS	MM	PCS/PALLET	PCS/BOX		
FO0490020	0,78	1,7	160X115X135		1	126	144
FO0490010	0,78	1,7	160X115X135		1	126	144
FO0973000	1,23	2,7	345X165X120		1	126	144
FO0973010	1,23	2,7	345X165X120		1	126	144
FO0973020	1,53	3,4	345X165X120		1	126	144
FO0973030	1,53	3,4	345X165X120		1	126	144



WASTE OIL EQUIPMENTS



FILTRATION



FLUID MONITORING



HOSE REELS



ACCESSORIES



MERCHANDISE

INDEX



AIR



ANTIFREEZE



AdBlue®



BIODIESEL



DIESEL



FOOD



GASOLINE



GREASE



KEROSENE



OIL

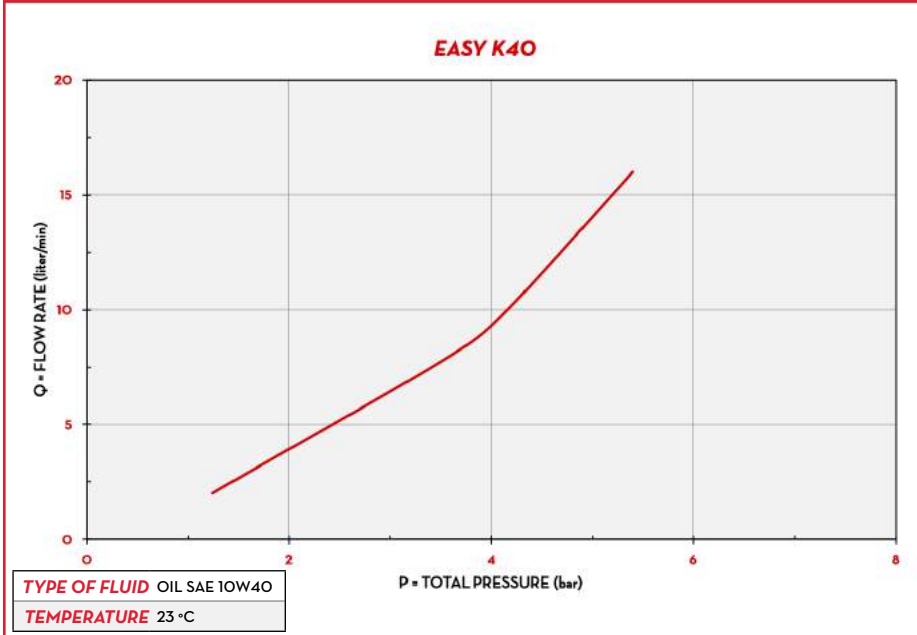


WATER



WINDSCREEN

CHARTS



IN THE BOX

- EASYOIL NOZZLE
- K40 METER
- INSTRUCTION MANUAL

DETAILS



MECHANICAL COUNTER



RESET BUTTON

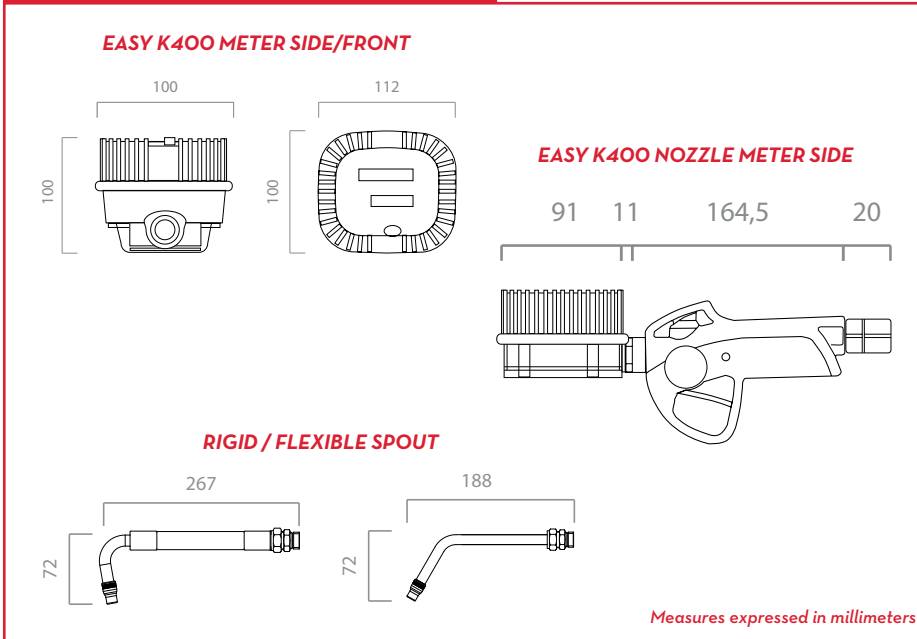


SELECTED MATERIALS



METER WITH OVAL GEARS

DIMENSIONS



MATERIALS

- NOZZLE BODY: ALLUMINIUM
- VALVE: NBR, NICKEL PLATED STEEL, BRASS
- METER BODY: ALLUMINIUM
- GEARS: TECHNOPOLYMER

TECHNICAL DATA

CODE	DESCRIPTION	FLUIDS TYPE	SPOUT TYPE	AUTOMATIC NO DRIP VALUE	FLOW-RATE		WORKING PRESSURE		INLET	OUTLET
					L/MIN	GPM	BAR	PSI		
FO0490020	K40 MECHANICAL OIL METER LT/BSP	●	-	-	1-30	0,26 - 7,8	70	994	1/2" BSP	1/2" BSP
FO0490010	K40 MECHANICAL OIL METER QT/NPT	●	-	-	1-30	0,26 - 7,8	70	994	1/2" BSP	1/2" NPT
FO0973000	K40 NOZZLE LT/BSP	●	-	-	1-30	0,26 - 7,8	70	994	1/2" BSP	1/2" BSP
FO0973010	K40 NOZZLE QT/NPT	●	-	-	1-30	0,26 - 7,8	70	994	1/2" BSP	1/2" NPT
FO0973020	K40 NOZZLE LT/BSP WITH FLEX EXT.	●	FLEXIBLE	YES	1-30	0,26 - 7,8	70	994	1/2" BSP	EXT. FLEX
FO0973030	K40 NOZZLE LT/BSP WITH RIGID EXT.	●	RIGID	YES	1-30	0,26 - 7,8	70	994	1/2" BSP	EXT. RIGID

EASY K40