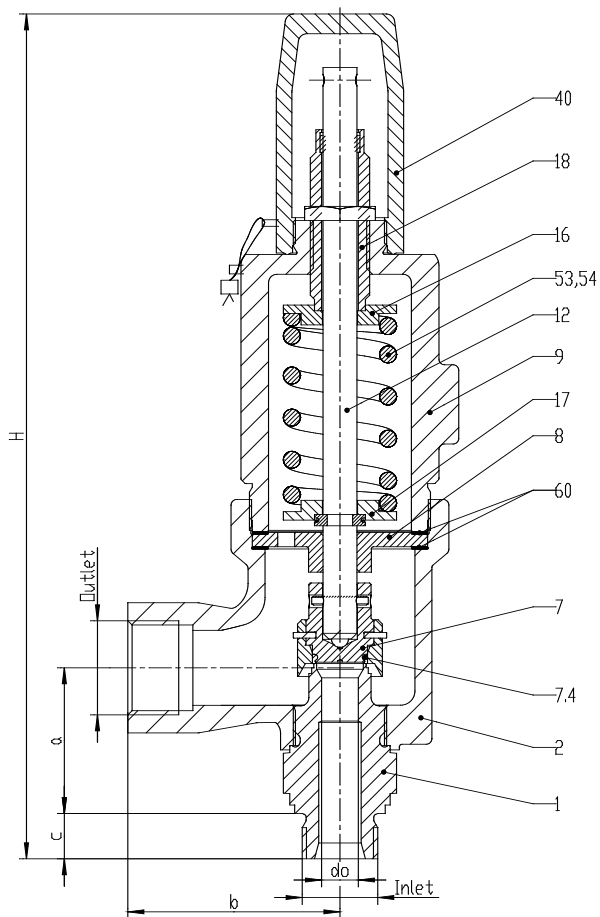


Sectional Drawing



Tag Numbers

Valve Application

Description	Valve Data
Article No.	4623.2912
Product Group	Compact Performance
Valve Type	Conventional Design
Bonnet type	Bonnet closed
Orifice	not applicable
d0	13,0 mm 0,512 "
Set Pressure	100,00 bar-g
Cold Diff Test Pressure (cdtp)	100,00 bar-g
Inlet Connection	G 3/4" PN 250 DIN EN 1092 male thread G 3/4", ISO228-1
Outlet Connection	G 1" PN 40 DIN EN 1092 female thread G 1", ISO228-1

Bill of Material

Pos.	Description	Material Grade	Qty.	Remarks
1	Inlet body	1.4104/430F - SS	1	
2	Outlet chamber	1.0619/SA-216 WCB/WCC - CS	1	
7	Disc	1.4404/316L - SS	1	
7.4	O-Ring	EPDM [D]	1	
8	Guide	1.4104 - SS	1	
9	Bonnet	0.7043/GGG 40.3 - CS	1	
12	Spindle	1.4021 - SS	1	
16	Spring plate	1.4404/316L - SS	1	
17	Spring plate	1.4404/316L - SS	1	
18	Adjusting screw	1.4104 - SS	1	
40	Cap/ Lifting device	1.0460/SA-105 - CS	1	
53	Spring	1.4310 - Stainless Steel	1	
54	Spring	EN 10270-2-FDSiCr	1	
60	Gasket	Graphit/1.4401 - SS	2	

Dimensions & Weight

Descriptions	Values
Weight	4,4 kg
a	52 mm
b	75 mm
H	296 mm
c	16,0 mm

Rev.	Status	Editor	Releaser	Date
00	Issue for approval	SAP	G6E	22.04.2020



The-Safety-Valve.com

LESER GmbH & Co. KG, Germany

LESER Job-No. / item		10293542 / 10
Ref. Job-No. / item		
Client PO-No.	445366	
Client	Impexron GmbH	
Project Title		
Unit		

Drawing Title	GENERAL ARRANGEMENT DRAWING CONVENTIONAL SAFETY RELIEF VALVE	Sheet 1 / 1
---------------	---	-----------------------

Client DWG-No.	Client Rev.
----------------	-------------

LESER General Arrangement Drawing (GAD) - initial submission acc. LESER-Standard LGS 3012: Image is a scaled model of the actual valve. This document is done automatically and is valid without signature.

LESER GAD-No.	10000501147-00
----------------------	----------------