

50 Hz



## e-SV™ Series

1, 3, 5, 10, 15, 22

33, 46, 66, 92, 125

VERTICAL MULTISTAGE ELECTRIC PUMPS

EQUIPPED WITH  MOTORS

ErP 2009/125/EC

**LENNTECH**

info@lennotech.com Tel. +31-152-610-900

www.lennotech.com Fax. +31-152-616-289

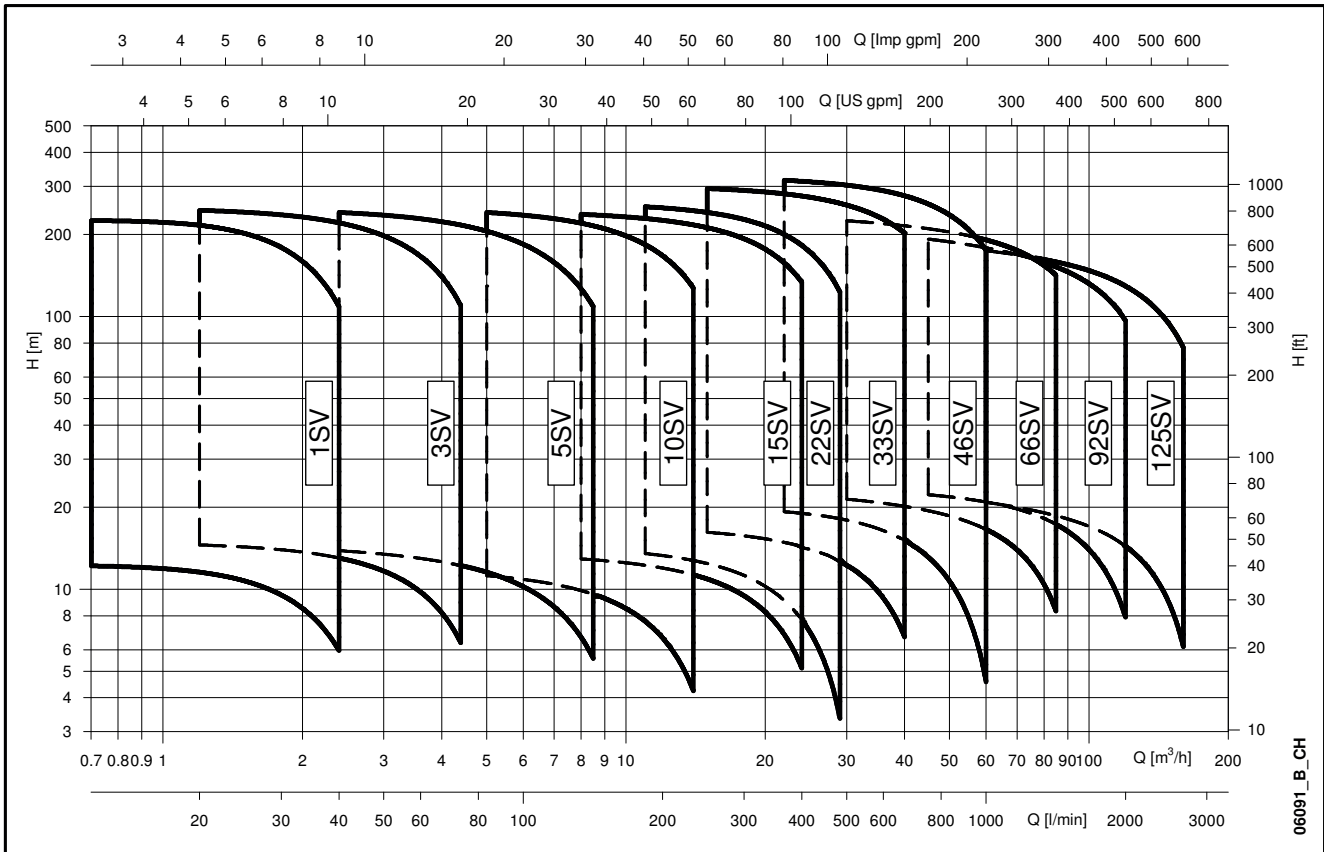


 **LOWARA**

a xylem brand

Cod. 191002071 Rev. E Ed.01/2015

**e-SV™ SERIES**  
**HYDRAULIC PERFORMANCE RANGE AT 50 Hz**



Lowara, e-SV, HYDROVAR, Xylect are trademarks of Xylem Inc. or one of its subsidiaries.  
 All other trademarks of registered trademarks are property of their respective owners.

## CONTENTS

e-SV™ series specifications .....	<b>5</b>
Characteristics of 1, 3, 5, 10, 15, 22, 33, 46, 66, 92, 125SV series .....	<b>6</b>
General characteristics .....	<b>7</b>
Identification code .....	<b>8</b>
1, 3, 5SV series and 10, 15, 22SV series ≤ 4 kW, pump cross section and main components .....	<b>10</b>
10, 15, 22SV series ≥ 5,5 kW, pump cross section and main components .....	<b>11</b>
33, 46, 66, 92, 125SV series, pump cross section and main components .....	<b>12</b>
125SV series, pump cross section and main components .....	<b>13</b>
Mechanical seals .....	<b>14</b>
Motors (ErP 2009/125/EC).....	<b>16</b>
Pumps (ErP 2009/125/EC) .....	<b>20</b>
SVH series pumps with HYDROVAR™ control system .....	<b>21</b>
Typical applications of e-SV™ pumps .....	<b>23</b>
Hydraulic performance at 50 Hz, 2 poles .....	<b>24</b>
Dimensions and weights, operating characteristics at 50 Hz, 2 poles .....	<b>30</b>
Sensors / Accessories .....	<b>55</b>
Special versions .....	<b>62</b>
Technical appendix .....	<b>63</b>





## Vertical Multistage Electric Pumps

### e-SV™ series



### MARKET SECTORS

CIVIL, AGRICULTURAL, LIGHT INDUSTRY, WATER TREATMENT, HEATING AND AIR CONDITIONING.

### APPLICATIONS

- Handling of water, free of suspended solids, in the civil, industrial and agricultural sectors.
- Pressure boosting and water supply systems.
- Irrigation systems.
- Wash systems.
- Water treatment plants.
- Handling of moderately aggressive liquids, demineralised water, water and glycol, etc.
- Circulation of hot and cold water for heating, cooling and conditioning systems.
- Boiler feed.
- Pharmaceutical food & beverage industries.

### SPECIFICATIONS

#### PUMP

The SV pump is a non-self priming vertical multistage pump coupled to a standard motor.

The liquid end, located between the upper cover and the pump casing, is held in place by tie rods. The pump casing is available with different configurations and connection types.

- Delivery: up to **160 m<sup>3</sup>/h**.
- Head: up to **330 m**.
- Temperature of pumped liquid:
  - from -30°C to +120°C for standard version.
- Maximum operating **pressure**:
  - 1, 3, 5, 10, 15, 22SV with oval flanges: 16 bar (PN16) at 50°C.
  - 1, 3, 5, 10, 15, 22SV with round flanges or Victaulic®, Clamp or DIN 11851 connections: 25 bar (PN 25) at 50°C.
  - 33, 46SV: 16, 25, 40 bar (PN 16, PN 25 or PN 40) at 50°C.
  - 66, 92, 125SV: 16 or 25 bar (PN 16 or PN 25) at 50°C.
- Hydraulic performance compliant with ISO 9906:2012 - Grade 3B (ex ISO 9906:1999 - Annex A).
- Direction of rotation: clockwise looking at the pump from the top down (marked with an arrow on the adapter and on the coupling).

#### MOTOR

- Squirrel cage in short circuit, enclosed construction with external ventilation.
- IP55 protection.
- Class 155 (F) insulation.
- Performances according to EN 60034-1.
- Standard voltage:
  - Single-phase version: 220-240 V, 50 Hz.
  - Three-phase version: 220-240/380-415 V, 50 Hz for power up to 3 kW, 380-415/660-690 V, 50 Hz for power above 3 kW.

#### i-ALERT™

Patented system which constantly measures vibrations and signals any operating faults that could break the pump. Available **on request** on all the range of electric pumps e-SV™.

❑ **LIQUID END MADE ENTIRELY OF STAINLESS STEEL IN THE 1, 3, 5, 10, 15, 22 m<sup>3</sup>/h STANDARD VERSION**

❑ **STANDARD MECHANICAL SEAL CAN BE REPLACED WITHOUT REMOVING THE MOTOR FROM THE PUMP (FOR 10, 15, 22, 33, 46, 66, 92, 125SV)**

❑ **STANDARD MOTOR**

❑ **CAN BE USED WITH THE HYDROVAR™ CONTROL SYSTEM IN ORDER TO MANAGE THE OPERATION OF THE PUMP BASED ON THE SYSTEM CONDITIONS AND SAVE ENERGY**

## CHARACTERISTICS OF 1, 3, 5, 10, 15, 22SV SERIES

- Vertical multistage centrifugal pump. All metal parts in contact with the pumped liquid are made of stainless steel.
- The following versions are available:
  - **F**: round flanges, in-line delivery and suction ports, AISI 304.
  - **T**: oval flanges, in-line delivery and suction ports, AISI 304.
  - **R**: round flanges, delivery port above the suction port, with four adjustable positions, AISI 304.
  - **N**: round flanges, in-line delivery and suction ports, AISI 316.
  - **V, P**: Victaulic® couplings, in-line delivery and suction ports, AISI 316.
  - **C**: Clamp couplings (DIN 32676), in-line delivery and suction ports, AISI 316.
  - **K**: threaded couplings, (DIN 11851), in-line delivery and suction ports, AISI 316.
- Reduced axial thrusts enable the use of **standard motors** that are easily found in the market.
- Mechanical seal according to EN 12756 (ex DIN 24960) and ISO 3069 for 1, 3, 5SV and 10, 15, 22SV ( $\leq$  of 4 kW) series.
- **Balanced mechanical seal** according to EN 12756 (ex DIN 24960) and ISO 3069, which **can be replaced without removing the motor from the pump** for 10, 15 and 22SV ( $\geq$  of 5,5 kW) series.
- Seal housing chamber designed to prevent the accumulation of air in the critical area next to the mechanical seal.
- A second plug is available for 10, 15, 22SV series.
- Versions with round flanges that can be coupled to counter-flanges, according to EN 1092.
- Threaded, oval counter-flanges made of stainless steel are standard supply for the T versions.
- Round counter-flanges made of stainless steel are available on request for the F, R and N versions.
- Easy maintenance. No special tools required for assembly or disassembly.
- **The pumps for F, T, R, N versions are certified for drinking water use (WRAS and ACS certified).**
- Standard version for temperatures ranging from  $-30^{\circ}\text{C}$  to  $+120^{\circ}\text{C}$ .

---

## CHARACTERISTICS OF 33, 46, 66, 92, 125SV SERIES

- The following versions are available:
  - **G**: vertical multistage centrifugal pump with impellers, diffusers and outer sleeve made entirely of stainless steel, and with pump casing and motor adaptor made of cast iron.
  - **N, P**: version made entirely of AISI 316 stainless steel.
- Innovative axial load compensation system on pumps with higher head. This ensures reduced axial thrusts and enables the use of **standard motors** that are easily found in the market.
- **Balanced mechanical seal** according to EN 12756 (ex DIN 24960) and ISO 3069, which **can be replaced without removing the motor from the pump**.
- Seal housing chamber designed to prevent the accumulation of air in the critical area next to the mechanical seal.
- **The pumps for G, N versions are certified for drinking water use (WRAS and ACS certified).**
- Standard version for temperatures ranging from  $-30^{\circ}\text{C}$  to  $+120^{\circ}\text{C}$ .
- Pump body fitted with couplings for installing pressure gauges on both suction and delivery flanges.
- In-line ports with round flanges that can be coupled to counter-flanges, in compliance with EN 1092.
- Mechanical sturdiness and easy maintenance. No special tools required for assembly or disassembly.

---

Inlet pressure of the pump plus static pressure of the water within the pump cannot exceed the nominal pressure (PN). Using different motors from those provided could limit inlet pressure. In this event please contact customer services.

---

## AVAILABLE ON REQUEST

Special versions are available to suit many applications. For details see page 62.

## GENERAL CHARACTERISTICS 2-POLE SV

	1SV	3SV	5SV	10SV	15SV	22SV	33SV	46SV	66SV	92SV	125SV
Max efficiency flow (m <sup>3</sup> /h)	1,7	3	5,5	10,5	16,5	20,5	31	43	72	90	120
Flow range (m <sup>3</sup> /h)	0,7÷2,4	1,2÷4,4	2,4÷8,5	5÷14	8÷24	11÷29	15÷40	22÷60	30÷85	45÷120	60÷160
Maximum head ( m )	230	250	250	250	250	260	300	360	230	210	220
Motor power ( kW )	0,37÷2,2	0,37÷3	0,37÷5,5	0,75÷11	1,1÷15	1,1÷18,5	2,2÷30	3÷45	4÷45	5,5÷45	7,5÷55
Max η ( % ) of pump	50	60	70	71	72	73	77	79	78	80	78
Standard temperature ( °C )	-30 +120										

1-125sv\_2p50-en\_b\_tg

### 1, 3, 5, 10, 15, 22SV VERSIONS

TYPE		2 POLES					
		1SV	3SV	5SV	10SV	15SV	22SV
<b>F</b>	AISI 304, PN25. In-line ports, round flanges	•	•	•	•	•	•
<b>T</b>	AISI 304, PN16. In-line ports, oval flanges	•	•	•	•	•	•
<b>R</b>	AISI 304, PN25. Discharge port above suction, round flanges	•	•	•	•	•	•
<b>N</b>	AISI 316, PN25. In-line ports, round flanges	•	•	•	•	•	•
<b>V</b>	AISI 316, PN25. Victaulic® couplings	•	•	•	•	•	•
<b>P</b>	AISI 316, PN40. Victaulic® couplings	•	•	•	•	•	•
<b>C</b>	AISI 316, PN25. Clamp couplings (DIN 32676)	•	•	•	•	•	•
<b>K</b>	AISI 316, PN25. Threaded couplings (DIN 11851)	•	•	•	•	•	•

• = Available. For P versions see specific catalogue.

1-22sv\_2p50-en\_b\_tc

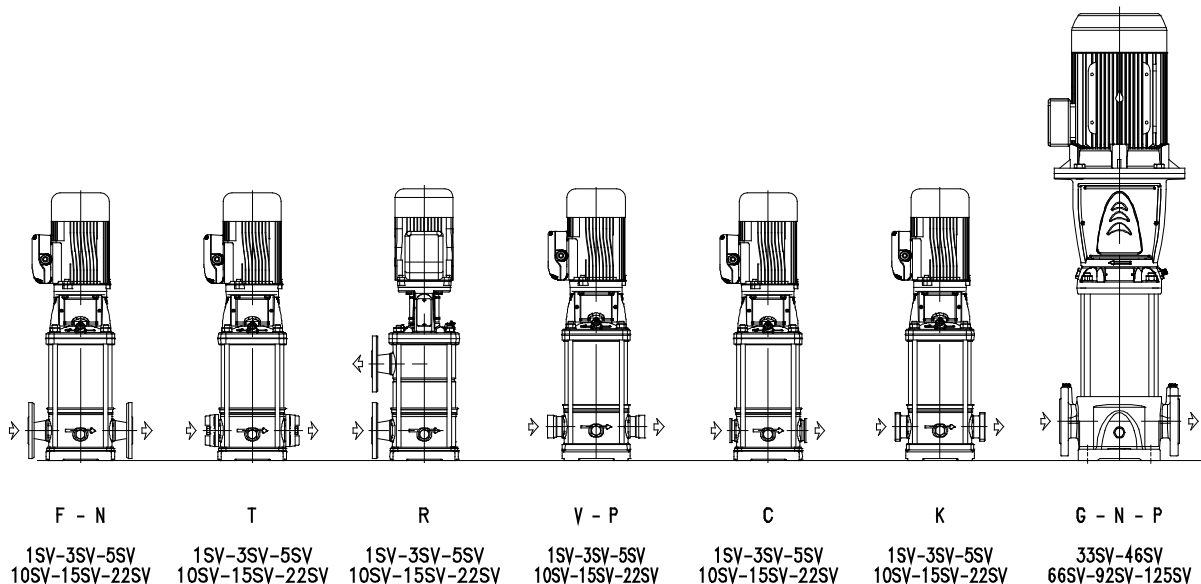
### 33, 46, 66, 92, 125SV VERSIONS

TYPE		2 POLES SV				
		33SV	46SV	66SV	92SV	125SV
<b>G</b>	CAST IRON PUMP CASING, LIQUID END MADE OF STAINLESS STEEL, IN-LINE ROUND FLANGES PN16, PN25 OR PN40 DEPENDING ON NUMBER OF STAGES AND MODEL.	•	•	•	•	•
<b>N</b>	ALL AISI 316 STAINLESS STEEL, IN-LINE ROUND FLANGES, PN16, PN25 OR PN40 DEPENDING ON NUMBER OF STAGES AND MODEL.	•	•	•	•	•
<b>P</b>	ALL AISI 316 STAINLESS STEEL. FLANGES, IN-LINE ROUND, PN40.	•	•	•	•	•

• = Available. For P versions see specific catalogue.

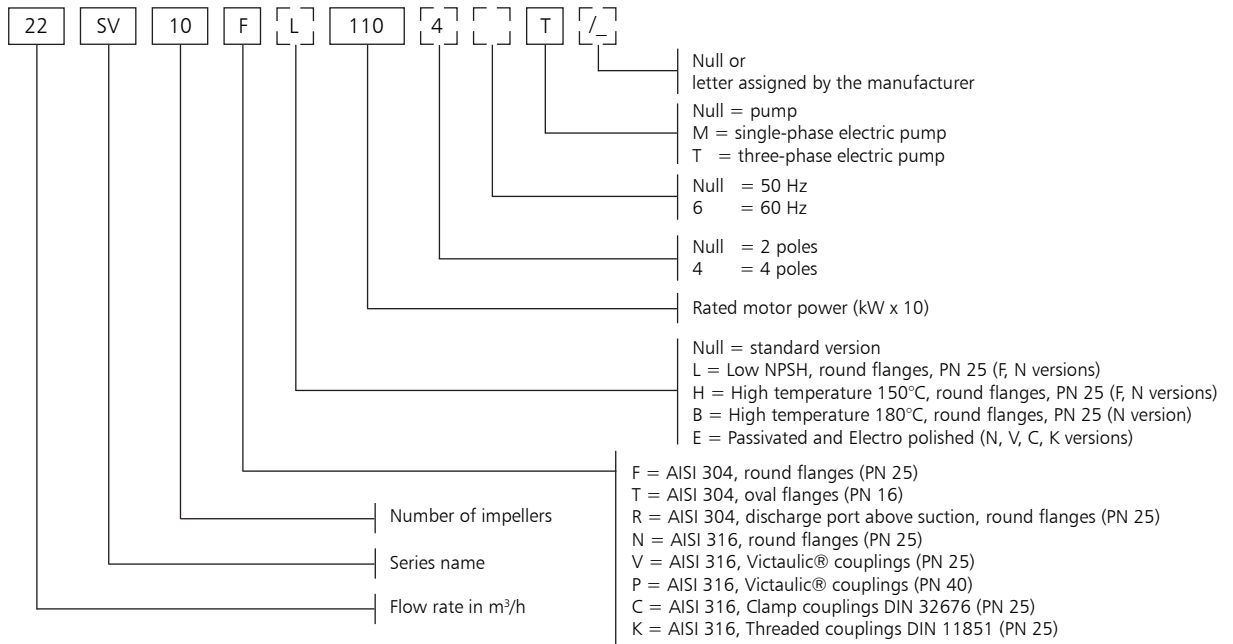
33-125sv\_2p50-en\_a\_tc

## VERSION DIAGRAM



## IDENTIFICATION CODE

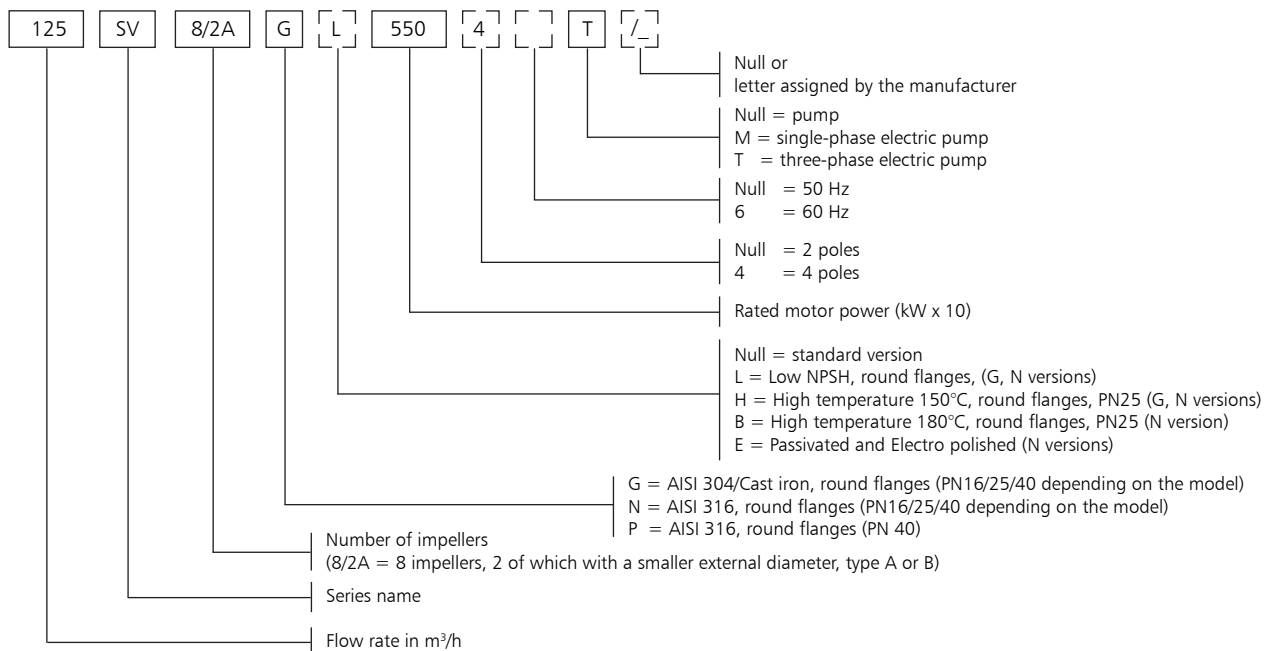
### 1, 3, 5, 10, 15, 22SV SERIES



EXAMPLE: 22SV10F110T

SV series electric pump, flow rate 22 m<sup>3</sup>/h, number of impellers 10, F version (AISI 304), round flanges, rated motor power 11 kW, 50 Hz frequency, three-phase.

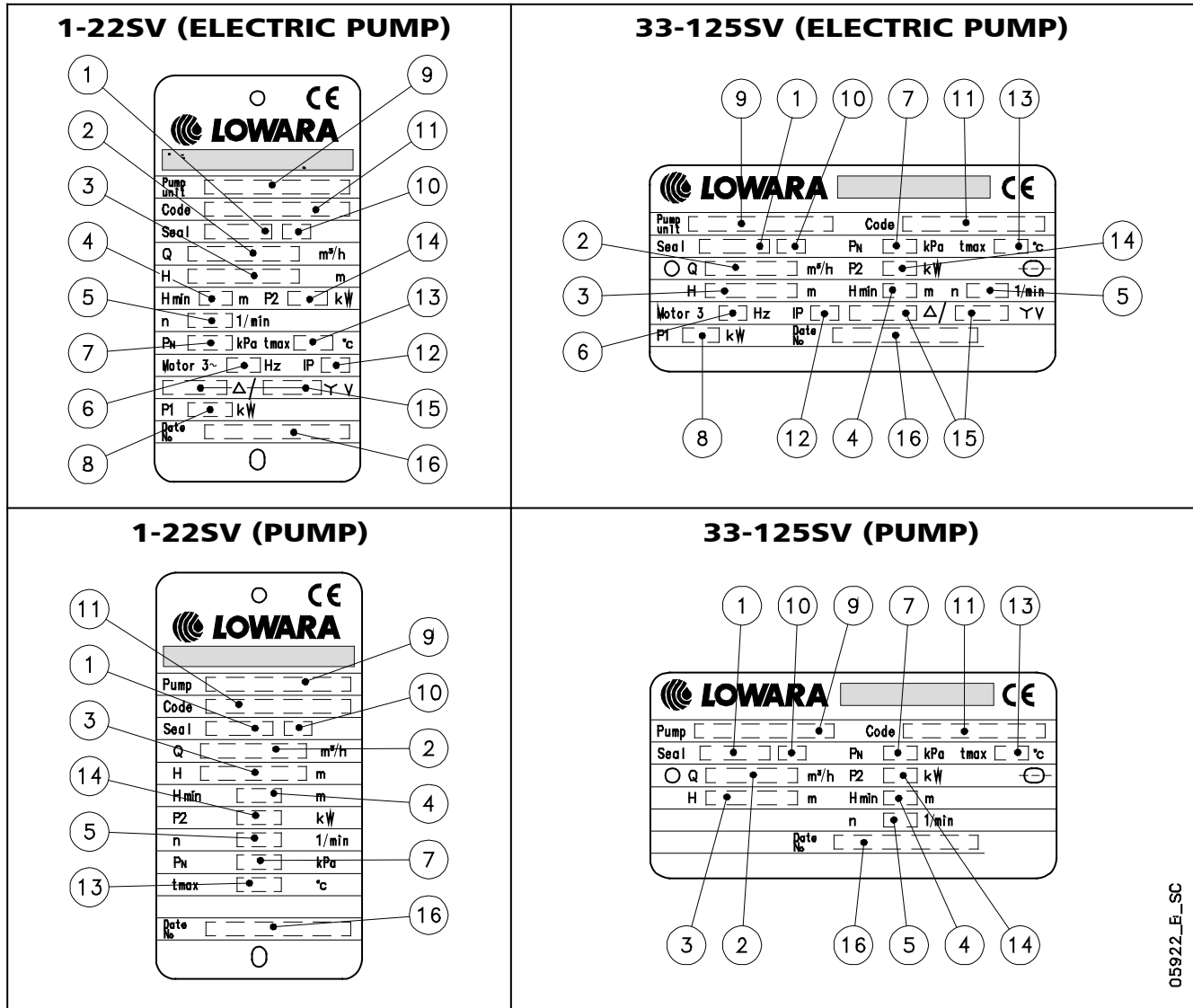
### 33, 46, 66, 92, 125SV SERIES



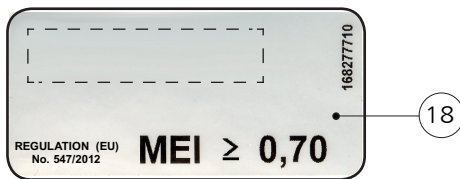
EXAMPLE: 125SV8/2AG550T

SV series electric pump, flow rate 125 m<sup>3</sup>/h, number of impellers 8, 2 of which with a smaller external diameter (type A), G version (AISI 304/Cast iron), round flanges, rated motor power 55 kW, 50 Hz frequency, three-phase.

## RATING PLATE



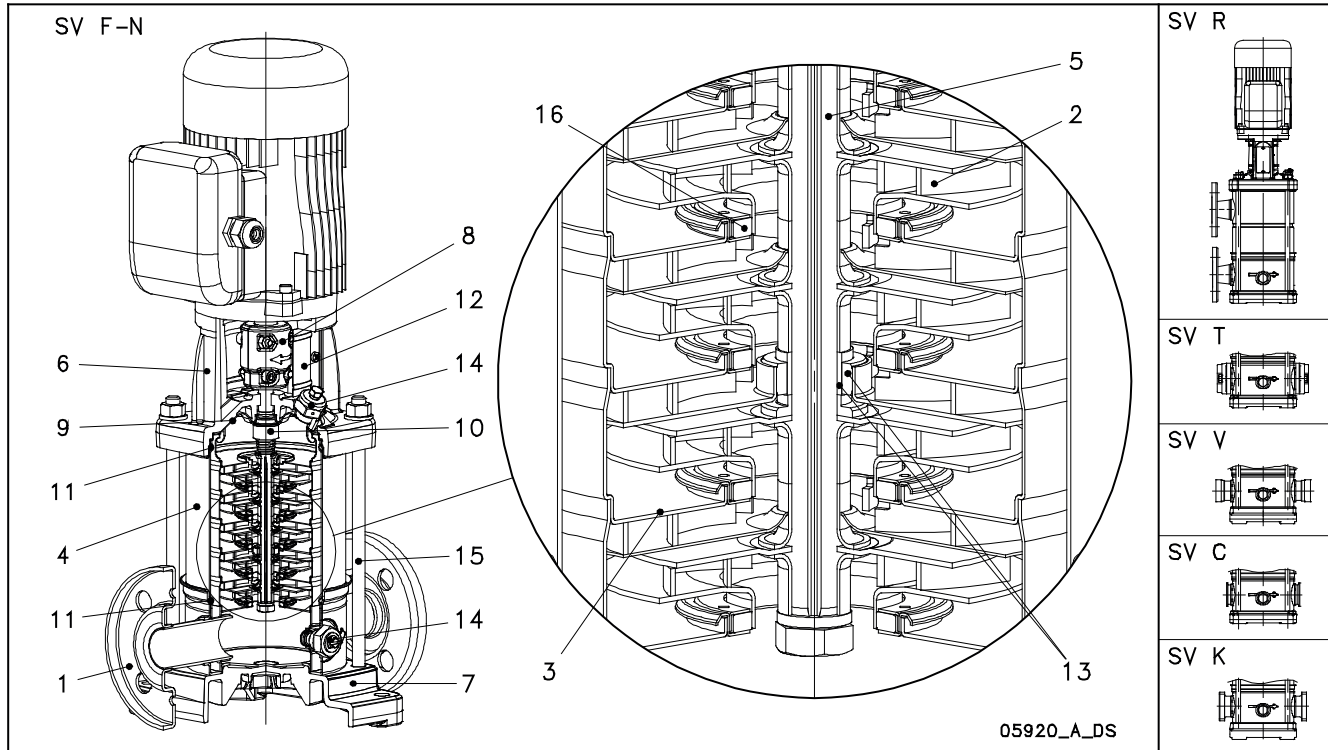
05922\_E\_SC



### LEGEND

- 1 - Mechanical seal material identification code
- 2 - Capacity range
- 3 - Head range
- 4 - Minimum head (EN 60335-2-41)
- 5 - Speed
- 6 - Frequency
- 7 - Maximum operating pressure
- 8 - Electric pump unit absorbed power
- 9 - Pump / electric pump unit type
- 10 - O-ring material identification code
- 11 - Electric pump unit / pump part number
- 12 - Protection class
- 13 - Maximum operating liquid temperature (uses as EN 60335-2-41)
- 14 - Motor nominal power
- 15 - Rated voltage range
- 16 - Serial number (date + progressive number)
- 17 - Maximum operating liquid temperature (uses other than EN 60335-2-41)
- 18 - MEI label (Regulation (EU) n. 547/2012)

## 1, 3, 5SV SERIES and 10, 15, 22SV SERIES ≤ 4 kW ELECTRIC PUMP CROSS SECTION AND MAIN COMPONENTS



### F, T, R VERSIONS

REF. N.	NAME	MATERIAL	REFERENCE STANDARDS	
			EUROPE	USA
1	Pump body	Stainless steel	EN 10088-1-X5CrNi18-10 (1.4301)	AISI 304
2	Impeller	Stainless steel	EN 10088-1-X5CrNi18-10 (1.4301)	AISI 304
3	Diffuser	Stainless steel	EN 10088-1-X5CrNi18-10 (1.4301)	AISI 304
4	Outer sleeve	Stainless steel	EN 10088-1-X5CrNi18-10 (1.4301)	AISI 304
5	Shaft	Stainless steel	EN 10088-1-X5CrNi18-10 (1.4301)	AISI 304
6	Adapter	Cast iron	EN 1561-GJL-250 (JL1040)	ASTM Class 35
7	Base	Aluminium	EN 1706-AC-AISI11Cu2 (Fe) (AC46100)	-
8	Coupling	Aluminium	EN 1706-AC-AISI11Cu2 (Fe) (AC46100)	-
9	Seal housing	Stainless steel	EN 10088-1-X5CrNi18-10 (1.4301)	AISI 304
10	Mechanical seal	Silicon carbide / Carbon / EPDM		
11	Elastomers	EPDM		
12	Coupling protection	Stainless steel	EN 10088-1-X5CrNi18-10 (1.4301)	AISI 304
13	Shaft sleeve and bushing	Tungsten carbide		
14	Fill / drain plugs	Stainless steel	EN 10088-1-X5CrNi18-10 (1.4301)	AISI 304
15	Tie rods	Galvanized steel	EN 10277-3-36SMnPb14 (1.0765)	-
16	Wear ring	Technopolymer PPS		

### N, V, C, K VERSIONS

1-22sv-frm-en\_a\_tm

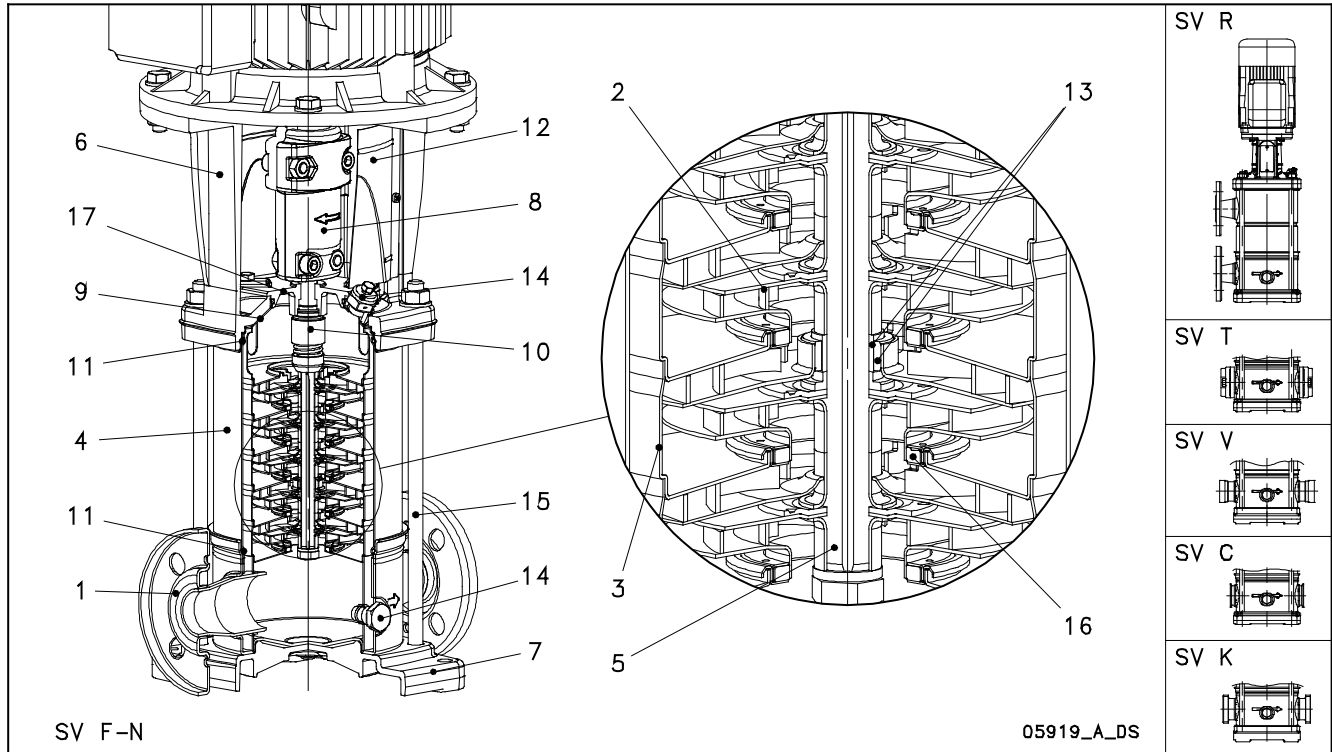
REF. N.	NAME	MATERIAL	REFERENCE STANDARDS	
			EUROPE	USA
1	Pump body	Stainless steel	EN 10088-1-X2CrNiMo17-12-2 (1.4404)	AISI 316L
2	Impeller	Stainless steel	EN 10088-1-X2CrNiMo17-12-2 (1.4404)	AISI 316L
3	Diffuser and upper spacer	Stainless steel	EN 10088-1-X2CrNiMo17-12-2 (1.4404)	AISI 316L
4	Outer sleeve	Stainless steel	EN 10088-1-X2CrNiMo17-12-2 (1.4404)	AISI 316L
5	Shaft	Stainless steel	EN 10088-1-X5CrNiMo17-12-2 (1.4401)	AISI 316
6	Adapter	Cast iron	EN 1561-GJL-250 (JL1040)	ASTM Class 35
7	Base	Aluminium	EN 1706-AC-AISI11Cu2 (Fe) (AC46100)	-
8	Coupling	Aluminium	EN 1706-AC-AISI11Cu2 (Fe) (AC46100)	-
9	Seal housing	Stainless steel	EN 10088-1-X2CrNiMo17-12-2 (1.4404)	AISI 316L
10	Mechanical seal	Silicon carbide / Carbon / EPDM		
11	Elastomers	EPDM		
12	Coupling protection	Stainless steel	EN 10088-1-X5CrNi18-10 (1.4301)	AISI 304
13	Shaft sleeve and bushing	Tungsten carbide		
14	Fill / drain plugs	Stainless steel	EN 10088-1-X5CrNiMo17-12-2 (1.4401)	AISI 316
15	Tie rods	Stainless steel	EN 10088-1-X17CrNi16-2 (1.4057)	AISI 431
16	Wear ring	Technopolymer PPS		

1-22sv-nvck-en\_a\_tm



**10, 15, 22SV SERIES ≥ 5,5 kW**

**ELECTRIC PUMP CROSS SECTION AND MAIN COMPONENTS**



**F, T, R VERSIONS**

REF. N.	NAME	MATERIAL	REFERENCE STANDARDS	
			EUROPE	USA
1	Pump body	Stainless steel	EN 10088-1-X5CrNi18-10 (1.4301)	AISI 304
2	Impeller	Stainless steel	EN 10088-1-X5CrNi18-10 (1.4301)	AISI 304
3	Diffuser	Stainless steel	EN 10088-1-X5CrNi18-10 (1.4301)	AISI 304
4	Outer sleeve	Stainless steel	EN 10088-1-X5CrNi18-10 (1.4301)	AISI 304
5	Shaft	Stainless steel	EN 10088-1-X5CrNi18-10 (1.4301)	AISI 304
6	Adapter	Cast iron	EN 1561-GJL-250 (JL1040)	ASTM Class 35
7	Base	Aluminium	EN 1706-AC-AISI11Cu2 (Fe) (AC46100)	-
8	Coupling	Aluminium	EN 1706-AC-AISI11Cu2 (Fe) (AC46100)	-
9	Seal plate	Stainless steel	EN 10088-1-X5CrNi18-10 (1.4301)	AISI 304
10	Mechanical seal	Silicon carbide / Carbon / EPDM		
11	Elastomers	EPDM		
12	Coupling protection	Stainless steel	EN 10088-1-X5CrNi18-10 (1.4301)	AISI 304
13	Shaft sleeve and bushing	Tungsten carbide		
14	Fill / drain plugs	Stainless steel	EN 10088-1-X5CrNi18-10 (1.4301)	AISI 304
15	Tie rods	Stainless steel	EN 10277-3-36SMnPb14 (1.0765)	
16	Wear ring	Technopolymer PPS		
17	Seal gland	Stainless steel	EN 10213-4-GX5CrNi19-10 (1.4308)	AISI 304

**N, V, C, K VERSIONS**

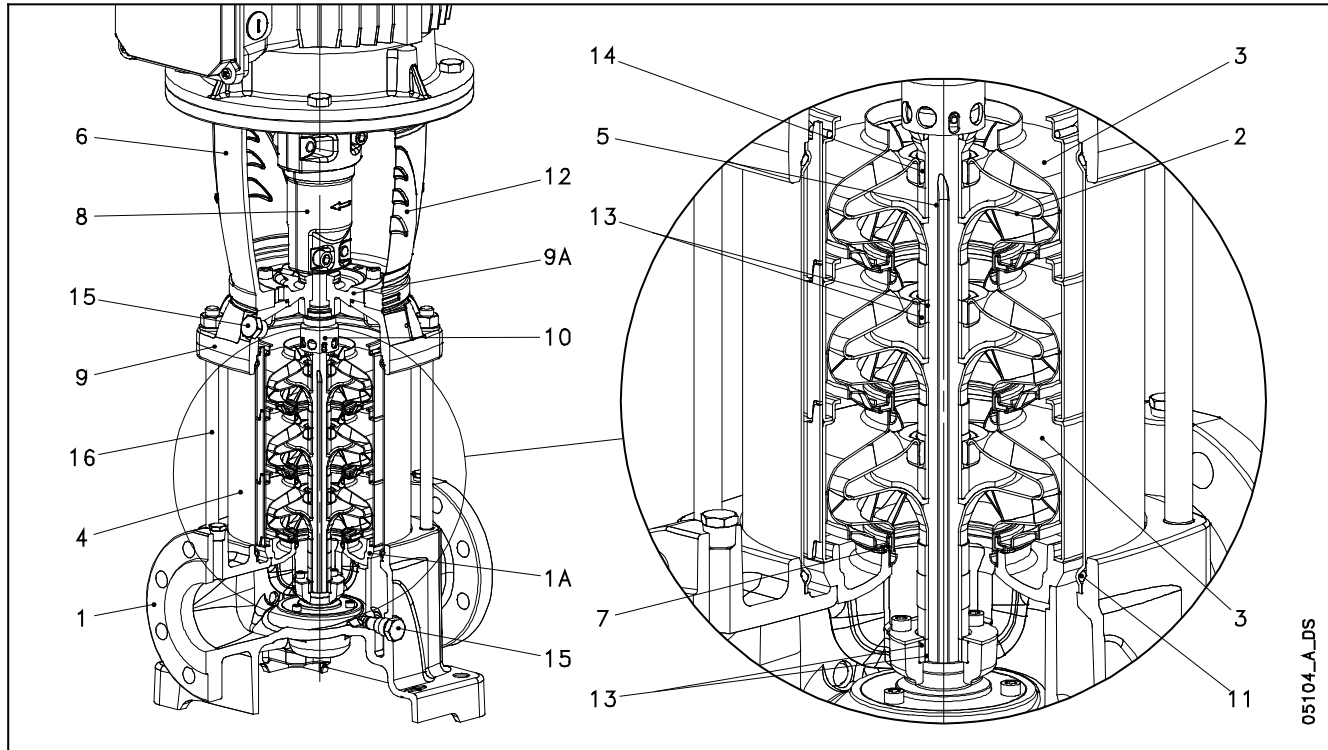
10-22sv-frm-en\_a\_tm

REF. N.	NAME	MATERIAL	REFERENCE STANDARDS	
			EUROPE	USA
1	Pump body	Stainless steel	EN 10088-1-X2CrNiMo17-12-2 (1.4404)	AISI 316L
2	Impeller	Stainless steel	EN 10088-1-X2CrNiMo17-12-2 (1.4404)	AISI 316L
3	Diffuser	Stainless steel	EN 10088-1-X2CrNiMo17-12-2 (1.4404)	AISI 316L
4	Outer sleeve	Stainless steel	EN 10088-1-X2CrNiMo17-12-2 (1.4404)	AISI 316L
5	Shaft	Stainless steel	EN 10088-1-X5CrNiMo17-12-2 (1.4401)	AISI 316
6	Adapter	Cast iron	EN 1561-GJL-250 (JL1040)	ASTM Class 35
7	Base	Aluminium	EN 1706-AC-AISI11Cu2 (Fe) (AC46100)	-
8	Coupling	Aluminium	EN 1706-AC-AISI11Cu2 (Fe) (AC46100)	-
9	Seal plate	Stainless steel	EN 10088-1-X2CrNiMo17-12-2 (1.4404)	AISI 316L
10	Mechanical seal	Silicon carbide / Carbon / EPDM		
11	Elastomers	EPDM		
12	Coupling protection	Stainless steel	EN 10088-1-X5CrNi18-10 (1.4301)	AISI 304
13	Shaft sleeve and bushing	Tungsten carbide		
14	Fill / drain plugs	Stainless steel	EN 10088-1-X5CrNiMo17-12-2 (1.4401)	AISI 316
15	Tie rods	Stainless steel	EN 10088-1-X17CrNi16-2 (1.4057)	AISI 431
16	Wear ring	Technopolymer PPS		
17	Seal gland	Stainless steel	EN 10213-4-GX5CrNiMo19-11-2 (1.4408)	AISI 316

10-22sv-nvck-en\_a\_tm

### 33, 46, 66, 92SV SERIES

### ELECTRIC PUMP CROSS SECTION AND MAIN COMPONENTS



#### G VERSIONS

REF. N.	NAME	MATERIAL	REFERENCE STANDARDS	
			EUROPE	USA
1	Pump body	Cast iron	EN 1561-GJL-250 (JL1040)	ASTM Class 35
1A	Lower support	Cast iron	EN 1561-GJL-250 (JL1040)	ASTM Class 35
2	Impeller	Stainless steel	EN 10088-1-X2CrNiMo17-12-2 (1.4404)	AISI 316L
3	Diffuser	Stainless steel	EN 10088-1-X5CrNi18-10 (1.4301)	AISI 304
4	Outer sleeve	Stainless steel	EN 10088-1-X5CrNi18-10 (1.4301)	AISI 304
5	Shaft	Stainless steel	EN 10088-1 - X17CrNi16-2 (1.4057)	AISI 431
6	Adapter	Cast iron	EN 1561-GJL-200 (JL1030)	ASTM Class 25
7	Wear ring	Technopolymer PPS		
8	Coupling	Cast iron	EN 1561-GJL-200 (JL1030)	ASTM Class 25
9	Upper head	Cast iron	EN 1561-GJL-250 (JL1040)	ASTM Class 35
9A	Seal housing	Cast iron	EN 1561-GJL-250 (JL1040)	ASTM Class 35
10	Mechanical seal	Silicon carbide / Carbon / EPDM		
11	Elastomers	EPDM		
12	Coupling protection	Stainless steel	EN 10088-1-X5CrNi18-10 (1.4301)	AISI 304
13	Shaft sleeve and bushing	Tungsten carbide		
14	Bushing for diffuser	Carbon		
15	Fill / Drain plugs	Stainless steel	EN 10088-1-X5CrNiMo17-12-2 (1.4401)	AISI 316
16	Tie rods	Galvanized steel	EN 10277-3-36SMnPb14 (1.0765)	-

#### N VERSIONS

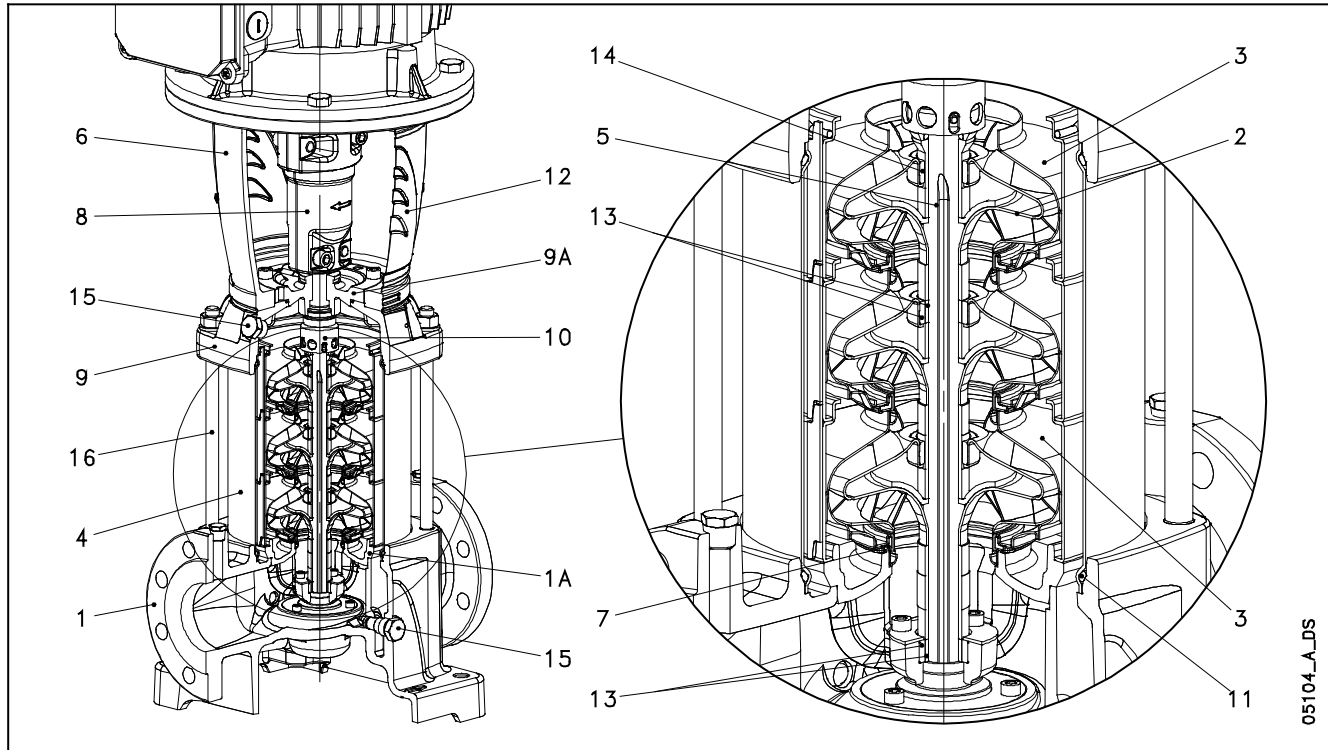
33-92sv-g-en\_a\_tm

REF. N.	NAME	MATERIAL	REFERENCE STANDARDS	
			EUROPE	USA
1	Pump body	Stainless steel	EN 10213-4-GX5CrNiMo19-11-2 (1.4408)	ASTM CF8M (AISI 316 cast)
1A	Lower support	Stainless steel	EN 10213-4-GX5CrNiMo19-11-2 (1.4408)	ASTM CF8M (AISI 316 cast)
2	Impeller	Stainless steel	EN 10088-1-X2CrNiMo17-12-2 (1.4404)	AISI 316L
3	Diffuser	Stainless steel	EN 10088-1-X2CrNiMo17-12-2 (1.4404)	AISI 316L
4	Outer sleeve	Stainless steel	EN 10088-1-X2CrNiMo17-12-2 (1.4404)	AISI 316L
5	Shaft	Duplex stainless steel	EN 10088-1-X2CrNiMoN22-5-3 (1.4462)	UNS S 31803
6	Adapter	Cast iron	EN 1561-GJL-200 (JL1030)	ASTM Class 25
7	Wear ring	Technopolymer PPS		
8	Coupling	Cast iron	EN 1561-GJL-200 (JL1030)	ASTM Class 25
9	Upper head	Stainless steel	EN 10213-4-GX5CrNiMo19-11-2 (1.4408)	ASTM CF8M (AISI 316 cast)
9A	Seal housing	Stainless steel	EN 10213-4-GX5CrNiMo19-11-2 (1.4408)	ASTM CF8M (AISI 316 cast)
10	Mechanical seal	Silicon carbide / Carbon / EPDM		
11	Elastomers	EPDM		
12	Coupling protection	Stainless steel	EN 10088-1-X5CrNi18-10 (1.4301)	AISI 304
13	Shaft sleeve and bushing	Tungsten carbide		
14	Bushing for diffuser	Carbon		
15	Fill / drain / air plugs	Stainless steel	EN 10088-1-X5CrNiMo17-12-2 (1.4401)	AISI 316
16	Tie rods	Stainless steel	EN 10088-1-X17CrNi16-2 (1.4057)	AISI 431

33-92sv-n-en\_a\_tm



## 125SV SERIES ELECTRIC PUMP CROSS SECTION AND MAIN COMPONENTS



### G VERSIONS

N° RIF.	DENOMINAZIONE	MATERIALE	NORME DI RIFERIMENTO	
			EUROPA	USA
1	Corpo pompa	Ghisa	EN 1561-GJL-250 (JL1040)	ASTM Class 35
1A	Supporto inferiore	Acciaio inox	EN 10213-GX5CrNi19-10 (1.4308)	AISI 304
2-3	Girante, Diffusore	Acciaio inox	EN 10213-GX5CrNi19-10 (1.4308)	AISI 304
4	Camicia esterna	Acciaio inox	EN 10088-1-X5CrNi18-10 (1.4301)	AISI 304
5	Albero	Acciaio inox	EN 10088-1 - X17CrNi16-2 (1.4057)	AISI 431
6	Lanterna (fino a 45 kW)	Ghisa	EN 1561-GJL-200 (JL1030)	ASTM Class 25
6	Lanterna (per potenze maggiori)	Ghisa	EN 1563-GJS-500-7 (JS1050)	ASTM A 536 80-55-06
7	Anello di rasamento	Tecnopolimero PPS		
8	Giunto (fino a 45 kW)	Ghisa	EN 1561-GJL-200 (JL1030)	ASTM Class 25
8	Giunto (per potenze maggiori)	Ghisa	EN 1563-GJS-500-7 (JS1050)	ASTM A 536 80-55-06
9-9A	Testata superiore, Portatenuta	Ghisa	EN 1561-GJL-250 (JL1040)	ASTM Class 35
10	Tenuta meccanica	Carburo di silicio / Carbone / EPDM		
11	Elastomeri	EPDM		
12	Protezione giunto	Acciaio inox	EN 10088-1-X5CrNi18-10 (1.4301)	AISI 304
13	Camicia d'albero e boccola	Carburo di tungsteno		
14	Boccola per diffusore	Carbone		
15	Tappi carico/scarico/sfiato	Acciaio inox	EN 10088-1-X5CrNiMo17-12-2 (1.4401)	AISI 316
16	Tiranti	Acciaio zincato	EN 10277-3-36SMnPb14 (1.0765)	-
17	Anello adattatore	Acciaio inox	EN 10213-GX5CrNi19-10 (1.4308)	AISI 304

### N VERSIONS

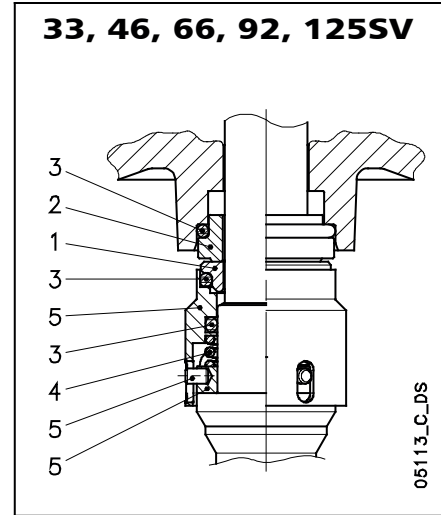
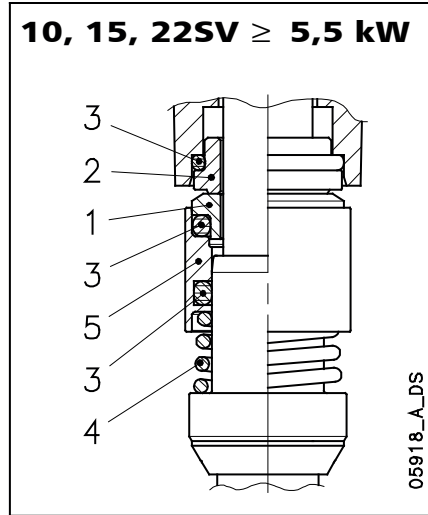
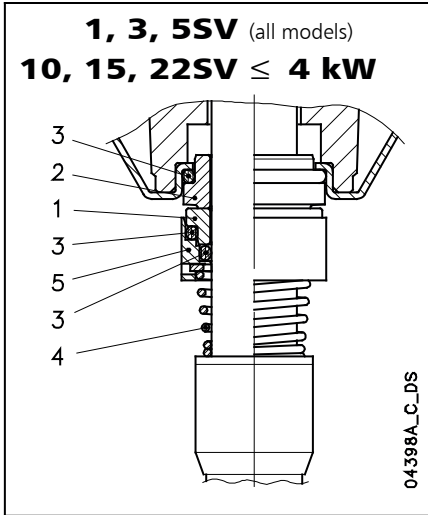
125sv-g\_a\_tm

N° RIF.	DENOMINAZIONE	MATERIALE	NORME DI RIFERIMENTO	
			EUROPA	USA
1	Corpo pompa	Acciaio inox	EN 10213-4-GX5CrNiMo19-11-2 (1.4408)	ASTM CF8M (AISI 316)
1A	Supporto inferiore	Acciaio inox	EN 10213-4-GX5CrNiMo19-11-2 (1.4408)	ASTM CF8M (AISI 316)
2-3	Girante, Diffusore	Acciaio inox	EN 10213-4-GX5CrNiMo19-11-2 (1.4408)	ASTM CF8M (AISI 316)
4	Camicia esterna	Acciaio inox	EN 10088-1-X2CrNiMo17-12-2 (1.4404)	AISI 316L
5	Albero	Acciaio inox duplex	EN 10088-1-X2CrNiMoN22-5-3 (1.4462)	UNS S 31803
6	Lanterna ( fino a 45kW )	Ghisa	EN 1561-GJL-200 (JL1030)	ASTM Class 25
6	Lanterna ( per potenze maggiori)	Ghisa	EN 1563-GJS-500-7 (JS1050)	
7	Anello di rasamento	Tecnopolimero PPS		
8	Giunto ( fino a 45kW )	Ghisa	EN 1561-GJL-200 (JL1030)	ASTM Class 25
8	Giunto ( per potenze maggiori )	Ghisa	EN 1563-GJS-500-7 (JS1050)	
9-9A	Testata superiore, Portatenuta	Acciaio inox	EN 10213-4-GX5CrNiMo19-11-2 (1.4408)	ASTM CF8M (AISI 316)
10	Tenuta meccanica	Carburo di silicio / Carbone / EPDM		
11	Elastomeri	EPDM		
12	Protezione giunto	Acciaio inox	EN 10088-1-X5CrNi18-10 (1.4301)	AISI 304
13	Camicia d'albero e boccola	Carburo di tungsteno		
14	Boccola per diffusore	Carbone		
15	Tappi carico / scarico / sfiato	Acciaio inox	EN 10088-1-X5CrNiMo17-12-2 (1.4401)	AISI 316
16	Tiranti	Acciaio inox	EN 10088-1-X17CrNi16-2 (1.4057)	AISI 431
17	Anello adattatore	Acciaio inox	EN 10213-4-GX5CrNiMo19-11-2 (1.4408)	ASTM CF8M (AISI 316)

125sv-n\_a\_tm

**e-SV™ SERIES**

**MECHANICAL SEALS, ACCORDING TO EN 12756**



**LIST OF MATERIALS**

POSITION 1 - 2	POSITION 3	POSITION 4 - 5
Q <sub>1</sub> : Silicon Carbide	E : EPDM	G : AISI 316
B : Resin impregnated carbon	V : FKM (FPM)	
C : Special resin impregnated carbon	T : PTFE	

**TYPE OF SEAL**

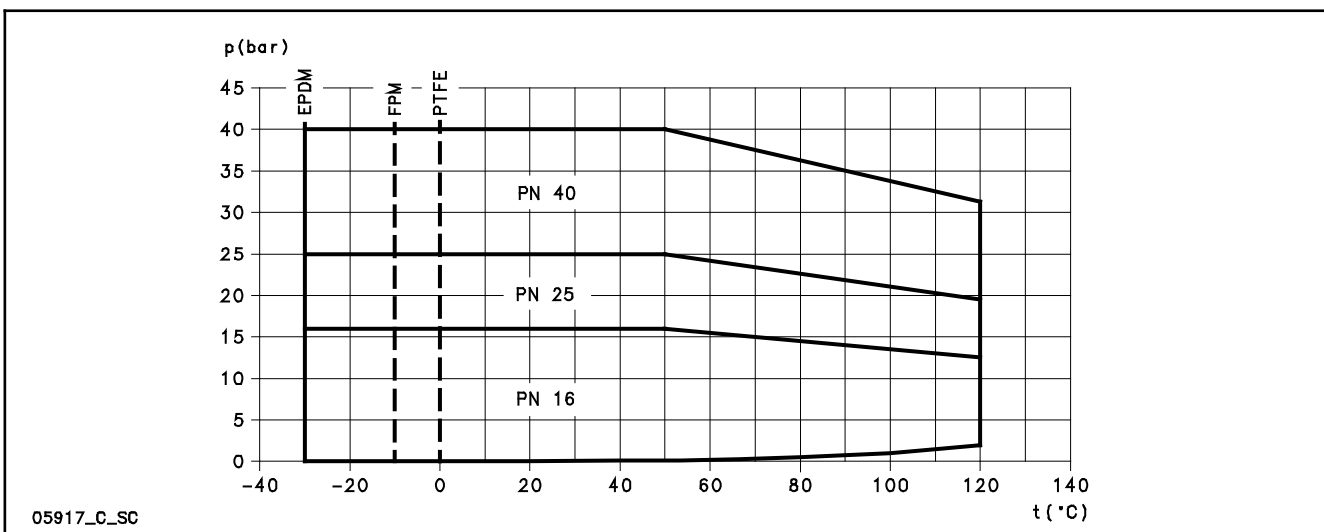
sv\_ten-mec-en\_b\_tm

TYPE	POSITION					TEMPERATURE (°C)
	1 ROTATING PART	2 STATIONARY PART	3 ELASTOMERS	4 SPRINGS	5 OTHER COMPONENTS	
<b>STANDARD MECHANICAL SEAL</b>						
Q <sub>1</sub> B E G G	Q <sub>1</sub>	B	E	G	G	-30 +120
<b>OTHER TYPES OF AVAILABLE MECHANICAL SEAL</b>						
Q <sub>1</sub> Q <sub>1</sub> E G G	Q <sub>1</sub>	Q <sub>1</sub>	E	G	G	-30 +120
Q <sub>1</sub> B V G G	Q <sub>1</sub>	B	V	G	G	-10 +120
Q <sub>1</sub> Q <sub>1</sub> V G G	Q <sub>1</sub>	Q <sub>1</sub>	V	G	G	-10 +120
*Q <sub>1</sub> C T G G	Q <sub>1</sub>	C	T	G	G	0 +120
*Q <sub>1</sub> Q <sub>1</sub> T G G	Q <sub>1</sub>	Q <sub>1</sub>	T	G	G	0 +120

\* Versions with anti-rotation lock pin of the fixed part.

sv\_tipi-ten-mec-en\_b\_tc

**PRESSURE/TEMPERATURE APPLICATION LIMITS FOR COMPLETE PUMP  
(APPLICABLE WITH ANY OF THE SEALS LISTED ABOVE)**



## COMPATIBILITY CHART FOR MATERIALS IN CONTACT WITH MOST COMMONLY USED LIQUIDS

LIQUID	CONCENTRATION (%)	TEMPERAT. MIN/MAX (°C)	SPECIF. WEIGHT (Kg/dm <sup>3</sup> )	1, 3, 5, 10, 15, 22 SV		33, 46, 66, 92, 125 SV		RECOMMEND. SEAL	ELASTOM.
				VERSION Standard	N	VERSION Standard	N		
Acetic acid	80	-10 +70	1,05	•	•		•	Q <sub>1</sub> BEGG	E
Alkaline degreaser	5	80		•	•	•	•	Q <sub>1</sub> Q <sub>1</sub> VGG	V
Aluminium sulfate	30	-5 +50	2,71		•		•	Q <sub>1</sub> Q <sub>1</sub> EGG	E
Ammonia in water	25	-20 +50	0,99	•	•		•	Q <sub>1</sub> BEGG	E
Ammonium sulfate	10	-10 +60	1,77		•		•	Q <sub>1</sub> Q <sub>1</sub> EGG	E
Benzoic acid	70	0 +70	1,31	•	•		•	Q <sub>1</sub> BVGG	V
Boric acid	saturated	-10 +90	1,43	•	•		•	Q <sub>1</sub> Q <sub>1</sub> VGG	V
Butyl alcohol	100	-5 +80	0,81	•	•	•	•	Q <sub>1</sub> BVGG	V
Caustic soda	25	0 +70	2,13	•	•	•	•	Q <sub>1</sub> Q <sub>1</sub> EGG	E
Chloroform	100	-10 +30	1,48	•	•	•	•	Q <sub>1</sub> BVGG	V
Citric acid	5	-10 +70	1,54	•	•		•	Q <sub>1</sub> BEGG	E
Cleaning products	10	-5 +100		•	•	•	•	Q <sub>1</sub> Q <sub>1</sub> VGG	V
Copper sulfate	20	0 +30	2,28		•		•	Q <sub>1</sub> Q <sub>1</sub> VGG	V
Cutting fluid	100	-5 +110	0,90	•	•	•	•	Q <sub>1</sub> BVGG	V
Deionised, demineralised water	100	-25 +110	1	•	•	•	•	Q <sub>1</sub> BEGG	E
Denatured alcohol	100	-5 +70	0,81	•	•	•	•	Q <sub>1</sub> BEGG	E
Diathermic oil	100	-5 +110	0,90	•	•	•	•	Q <sub>1</sub> BVGG	V
Emulsion oil and water	any	-5 +90		•	•	•	•	Q <sub>1</sub> BVGG	V
Ethyl alcohol	100	-5 +40	0,81	•	•	•	•	Q <sub>1</sub> BEGG	E
Ethylene glycol	30	-30 +120			•		•	Q <sub>1</sub> BEGG	E
Formaldehyde	100	0 +30	1,13	•	•	•	•	Q <sub>1</sub> Q <sub>1</sub> TGG	T
Formic acid	5	-15 +25	1,22	•	•		•	Q <sub>1</sub> BEGG	E
Glycerine	100	+20 +90	1,26	•	•	•	•	Q <sub>1</sub> BEGG	E
Hydraulic oil	100	-5 +110		•	•	•	•	Q <sub>1</sub> BVGG	V
Hydrochloric acid	2	-5 +25	1,20		•		•	Q <sub>1</sub> Q <sub>1</sub> VGG	V
Hydroxide sodium	25	0 +70		•	•	•	•	Q <sub>1</sub> Q <sub>1</sub> EGG	E
Iron sulfate	10	-5 +30	2,09		•		•	Q <sub>1</sub> BEGG	E
Methyl alcohol	100	-5 +40	0,79	•	•	•	•	Q <sub>1</sub> BEGG	E
Mineral oil	100	-5 +110	0,94	•	•	•	•	Q <sub>1</sub> BVGG	V
Nitric acid	50	-5 +30	1,48	•	•		•	Q <sub>1</sub> Q <sub>1</sub> VGG	V
Perchloroethylene	100	-10 +30	1,60	•	•	•	•	Q <sub>1</sub> BVGG	V
Phosphates-polyphosphates	10	-5 +90			•		•	Q <sub>1</sub> Q <sub>1</sub> VGG	V
Phosphoric acid	10	-5 +30	1,33		•		•	Q <sub>1</sub> BEGG	E
Propyl alcohol (Propanol)	100	-5 +80	0,80	•	•	•	•	Q <sub>1</sub> BEGG	E
Propylene glycol	30	-30 +120		•	•	•	•	Q <sub>1</sub> BEGG	E
Sodium bicarbonate (Baking soda)	saturated				•		•	Q <sub>1</sub> BEGG	E
Sodium hypochlorite	1	-10 +25			•		•	Q <sub>1</sub> Q <sub>1</sub> VGG	V
Sodium nitrate	saturated	-10 +80	2,25	•	•	•	•	Q <sub>1</sub> BEGG	E
Sodium sulfate	15	-10 +40	2,60	•	•	•	•	Q <sub>1</sub> Q <sub>1</sub> EGG	E
Sulphuric acid	2	-10 +25	1,84		•		•	Q <sub>1</sub> BVGG	V
Tannic acid	20	0 +50			•		•	Q <sub>1</sub> BEGG	E
Tartaric acid	50	-10 +25	1,76	•	•		•	Q <sub>1</sub> Q <sub>1</sub> VGG	V
Trichloroethylene	100	-10 +40	1,46	•	•	•	•	Q <sub>1</sub> BVGG	V
Uric acid	80	-10 +80	1,89	•	•		•	Q <sub>1</sub> BEGG	E
Vegetable oil	100	-5 +110	0,95	•	•	•	•	Q <sub>1</sub> BEGG	E
Water	100	-5 +120		•	•	•	•	Q <sub>1</sub> BEGG	E
Water condensate	100	-5 +100	1	•	•	•	•	Q <sub>1</sub> BEGG	E
Water detergents, mineral oils mixture	10	-5 +80		•	•	•	•	Q <sub>1</sub> Q <sub>1</sub> VGG	V

tab-comp-sv-en\_b\_tm

The above table indicates the compatibility of materials depending on the pumped liquid. Check the specific weight of the liquid or the viscosity as this could affect the power input of the motor and hydraulic performance. For further details, please contact the sales network.

## e-SV™ SERIES MOTORS

With the “Energy using Products” (EuP 2005/32/EC) and “Energy related Products” (ErP 2009/125/EC) directives, the European Commission has established requirements for promoting the use of products with low power consumption.

The various products considered include **three-phase 50 Hz surface motors with power outputs ranging from 0,75 to 375 kW**, also when integrated with other products, with characteristics as defined by the specific **Regulation (EC) No 640/2009** implementing the requirements of the EuP and ErP Directives which also establish the following deadlines:

from	kW	minimum level of efficiency (IE)
16 <sup>th</sup> June 2011	0,75 ÷ 375	IE2
27 <sup>th</sup> July 2014	0,75 ÷ 375	new exclusion criteria <sup>1)</sup>
1 <sup>st</sup> January 2015	< 7,5	IE2
	7,5 ÷ 375	IE3
		IE2 fitted with variable speed drive <sup>2)</sup>
1 <sup>st</sup> January 2017	0,75 ÷ 375	IE3
		IE2 fitted with variable speed drive <sup>2)</sup>

<sup>1)</sup> Fixed by subsequent **Regulation (EU) No 4/2014**.

<sup>2)</sup> IE 2 motor can be supplied without frequency converter as the obligation to have that device is related to when motor works and not when is placed on the market.

SV electric pumps are equipped with standard motors.

- Short-circuit squirrel-cage motor, enclosed construction with external ventilation (TEFC).
- **IP55** protection degree.
- Insulation class **155 (F)**.
- Electrical performances according to EN 60034-1.
- **Supplied IE3 three-phase surface motors ≥ 0,75 kW as standard.**
- IE efficiency level according to EN 60034-30:2009 and IEC 60034-30-1:2014 (≥ 0,75 kW).
- Metric cable gland according to EN 50262.
- PTC included in motors from 30 to 55 kW (one per phase, 155°C).
- **Single-phase** version:  
0,37 to 2,2 kW (2-pole)  
220-240 V 50 Hz  
Built-in automatic reset overload protection up to 1,5 kW.  
For higher powers the protection must be provided by the user.
- **Three-phase** version:  
0,37 to 55 kW (2-pole)  
220-240/380-415 V 50 Hz for power up to 3 kW.  
380-415/660-690 V 50 Hz for power above 3 kW.  
Overload protection to be provided by the user.

## SINGLE-PHASE MOTORS AT 50 Hz, 2-POLE

P <sub>N</sub> kW	MOTOR TYPE	IEC SIZE*	Construction Design	INPUT CURRENT I <sub>n</sub> (A) 220-240 V	CAPACITOR		DATA FOR 230 V 50 Hz VOLTAGE						
					μF	V	min <sup>-1</sup>	I <sub>s</sub> / I <sub>n</sub>	η %	cosφ	T <sub>n</sub>		
											Nm	T <sub>s</sub> /T <sub>n</sub>	T <sub>m</sub> /T <sub>n</sub>
0,37	SM71RB14/104	71R	V18/B14	2,79-2,85	14	450	2745	2,64	65,1	0,96	1,39	0,68	1,63
0,55	SM71B14/105	71		3,76-3,99	16	450	2820	3,72	68,9	0,91	1,86	0,61	2,00
0,75	SM80RB14/107	80R		4,90-4,85	20	450	2765	3,42	70,1	0,96	2,59	0,58	1,75
1,1	SM80B14/111	80		6,88-6,65	30	450	2800	3,89	74,7	0,96	3,75	0,46	1,72
1,5	SM90RB14/115	90R		9,21-8,58	40	450	2810	4,00	76,1	0,98	5,09	0,39	1,74
2,2	PLM90B14/122	90		12,5-11,6	70	450	2825	4,47	82,4	0,97	7,43	0,53	1,87

\* R = Reduced size of motor casing as compared to shaft extension and flange.

1-22sv-motm-2p50-en\_b\_te

**e-SV™ SERIES**

**THREE-PHASE MOTORS AT 50 Hz, 2-POLE (up to 22 kW)**

P <sub>N</sub> kW	Efficiency η <sub>N</sub> %																		Year of manufacture		
	Δ 220 V Y 380 V			Δ 230 V Y 400 V			Δ 240 V Y 415 V			Δ 380 V Y 660 V			Δ 400 V Y 690 V			Δ 415 V				IE	
	4/4	3/4	2/4	4/4	3/4	2/4	4/4	3/4	2/4	4/4	3/4	2/4	4/4	3/4	2/4	4/4	3/4	2/4			
0,37	-	-	-	-	-	-	-	-	-	-	-	-	-	-	-	-	-	-	-	-	-
0,55	-	-	-	-	-	-	-	-	-	-	-	-	-	-	-	-	-	-	-	-	-
0,75	82,5	83,1	81,3	82,8	82,7	80,1	82,6	82,0	78,9	82,5	82,0	78,9	82,5	82,0	78,9	82,5	82,0	78,9	-	-	-
1,1	84,0	84,7	83,4	84,4	84,5	82,5	84,3	84,0	81,4	84,0	84,0	81,4	84,0	84,0	81,4	84,0	84,0	81,4	-	-	-
1,5	85,6	86,5	85,8	85,9	86,4	84,9	86,0	86,0	84,0	85,6	86,0	84,0	85,6	86,0	84,0	85,6	86,0	84,0	-	-	-
2,2	86,5	87,4	86,8	86,4	86,9	85,7	86,6	86,7	85,0	86,4	86,7	85,0	86,4	86,7	85,0	86,4	86,7	85,0	-	-	-
3	87,2	88,5	88,3	87,5	88,2	87,5	87,5	87,8	86,4	87,2	87,8	86,4	87,2	87,8	86,4	87,2	87,8	86,4	-	-	-
4	89,1	90,1	89,2	89,1	90,1	89,2	89,1	90,1	89,2	89,1	90,3	90,4	89,6	90,4	89,9	89,6	90,1	89,2	-	-	-
5,5	89,5	89,6	88,0	89,5	89,6	88,0	89,5	89,6	88,0	89,5	90,3	89,9	89,7	90,0	89,0	89,6	89,6	88,0	-	-	-
7,5	90,6	90,5	89,0	90,6	90,5	89,0	90,6	90,5	89,0	90,6	91,0	90,2	90,8	90,8	89,6	90,7	90,5	89,0	-	-	-
11	91,3	92,0	91,1	91,3	92,0	91,1	91,3	92,0	91,1	91,3	92,2	92,2	91,6	92,2	91,7	91,7	92,0	91,1	-	-	-
15	92,5	92,4	91,2	92,5	92,4	91,2	92,5	92,4	91,2	92,7	93,3	92,9	93,1	93,3	92,7	92,5	92,4	91,2	-	-	-
18,5	92,6	93,1	92,4	92,6	93,1	92,4	92,6	93,1	92,4	92,6	93,2	93,0	92,9	93,3	92,8	92,9	93,1	92,4	-	-	-
22	93,0	92,7	91,3	93,0	92,7	91,3	93,0	92,7	91,3	93,0	93,2	92,4	93,1	93,0	91,9	93,0	92,7	91,3	-	-	-

P <sub>N</sub> kW	Manufacturer		IEC SIZE*	Construction Design	N. of Poles	f <sub>N</sub> Hz	Data for 400 V / 50 Hz Voltage				
	Xylem Service Italia Srl Reg. No. 07520560967 Montecchio Maggiore Vicenza - Italia						cosφ	I <sub>s</sub> / I <sub>N</sub>	T <sub>N</sub> Nm	T <sub>s</sub> /T <sub>N</sub>	T <sub>m</sub> /T <sub>N</sub>
	Model										
0,37	SM71RB14/304		71R	V18/B14	2	50	0,64	4,35	1,37	4,14	4,10
0,55	SM71B14/305		71				0,74	5,97	1,85	3,74	3,56
0,75	SM80B14/307 PE		80				0,78	7,38	2,48	3,57	3,75
1,1	SM80B14/311 PE		80				0,79	8,31	3,63	3,95	3,95
1,5	SM90RB14/315 PE		90R				0,80	8,80	4,96	4,31	4,10
2,2	PLM90B14/322 E3		90				0,80	8,77	7,28	3,72	3,70
3	PLM100RB14/330 E3		100R				0,79	7,81	9,93	4,26	3,94
4	PLM112RB14S6/340 E3		112R				0,85	9,13	13,2	3,82	4,32
5,5	PLM132RB5/355 E3		132R				0,85	10,5	18,1	4,74	5,11
7,5	PLM132B5/375 E3		132				0,85	10,2	24,4	3,43	4,76
11	PLM160RB5/3110 E3		160R				0,86	9,89	35,9	3,46	4,59
15	PLM160B5/3150 E3		160				0,88	9,51	48,6	2,73	4,32
18,5	PLM160B5/3185 E3		160				0,88	9,81	59,9	2,81	4,53
22	PLM180RB5/3220 E3		180R				0,85	10,9	71,1	3,26	5,12

P <sub>N</sub> kW	Voltage U <sub>N</sub> V										n <sub>N</sub> min <sup>-1</sup>	Observe the regulations and codes locally in force regarding sorted waste disposal.	Operating conditions **		
	Δ			Y			Δ			Y			Altitude Above Sea Level (m)	T. amb min/max °C	ATEX
	220 V	230 V	240 V	380 V	400 V	415 V	380 V	400 V	415 V	660 V					
0,37	2,03	2,18	2,32	1,17	1,26	1,34	-	-	-	-	-	2745 ÷ 2800	≤ 1000	-15 / 40	No
0,55	2,56	2,56	2,62	1,48	1,48	1,51	-	-	-	-	-	2825 ÷ 2850			
0,75	2,96	2,94	2,96	1,71	1,70	1,71	1,70	1,69	1,70	0,98	0,98	2875 ÷ 2895			
1,1	4,19	4,14	4,16	2,42	2,39	2,40	2,41	2,38	2,38	1,39	1,37	2870 ÷ 2900			
1,5	5,56	5,49	5,51	3,21	3,17	3,18	3,21	3,18	3,19	1,85	1,84	2870 ÷ 2895			
2,2	7,97	7,90	7,98	4,6	4,56	4,61	4,57	4,54	4,57	2,64	2,62	2880 ÷ 2900			
3	11,0	11,0	11,2	6,35	6,33	6,44	6,29	6,27	6,34	3,63	3,62	2865 ÷ 2895			
4	13,6	13,4	13,4	7,87	7,75	7,74	7,80	7,62	7,61	4,50	4,40	2885 ÷ 2910			
5,5	18,1	17,9	18,1	10,4	10,4	10,4	10,6	10,5	10,7	6,10	6,05	2880 ÷ 2910			
7,5	24,8	24,4	24,3	14,3	14,1	14,0	14,4	14,1	14,2	8,32	8,16	2920 ÷ 2935			
11	35,7	35,0	34,9	20,6	20,2	20,2	20,6	20,2	20,2	11,9	11,7	2910 ÷ 2930			
15	47,6	46,1	45,2	27,5	26,6	26,1	27,5	26,6	26,1	15,9	15,3	2940 ÷ 2950			
18,5	58,3	56,7	55,6	33,7	32,7	32,1	34,0	33,0	32,7	19,6	19,0	2940 ÷ 2950			
22	72,9	73,1	73,7	42,1	42,2	42,6	40,9	40,4	40,6	23,6	23,3	2950 ÷ 2960			

\* R = Reduced size of motor casing as compared to shaft extension and flange.

sv-IE3-mott22-2p50-en\_a\_te

\*\* Operating conditions to be referred to motor only. About electric pump, refer to limits in user's manual.

## e-SV™ SERIES

### THREE-PHASE MOTORS AT 50 Hz, 2-POLE (from 30 to 55 kW)

P <sub>N</sub> kW	Efficiency $\eta_N$ %									IE	Year of manufacture
	$\Delta$ 380 V Y 660 V			$\Delta$ 400 V Y 690 V			$\Delta$ 415 V				
	4/4	3/4	2/4	4/4	3/4	2/4	4/4	3/4	2/4		
30	94,0	94,0	93,1	94,1	94,0	92,8	94,2	93,9	92,6	3	By 11/2014
37	94,4	94,0	93,5	94,6	94,0	93,3	94,7	93,9	93,1		
45	94,8	94,9	94,6	95,1	95,1	94,6	95,3	95,2	94,5		
55	95,1	95,0	94,9	95,4	95,3	94,9	95,5	95,3	94,8		

P <sub>N</sub> kW	Manufacturer		IEC SIZE	Construction Design	N. of Poles	f <sub>N</sub> Hz	Data for 400 V / 50 Hz Voltage				
	WEG Equipamentos Eletricos S.A. Reg. No. 07.175.725/0010-50 Jaragua do Sul - SC (Brazil)						cos $\phi$	I <sub>s</sub> / I <sub>N</sub>	T <sub>N</sub> Nm	T <sub>s</sub> /T <sub>N</sub>	T <sub>m</sub> /T <sub>N</sub>
	Model										
30	W22 200L V1 30KW E3		200	V1	2	50	0,86	7,30	96,60	2,60	2,90
37	W22 200L V1 37KW E3		200				0,86	7,30	119,2	2,60	2,90
45	W22 225S/M V1 45KW E3		225				0,88	8,00	144,7	2,70	3,20
55	W22 250S/M V1 55KW E3		250				0,89	7,90	177,1	2,80	2,90

P <sub>N</sub> kW	Voltage U <sub>N</sub> V					n <sub>N</sub> min <sup>-1</sup>	See note:	Operating conditions **		
	$\Delta$			Y				Altitude Above Sea Level (m)	T. amb min/max °C	ATEX
	380 V	400 V	415 V	660 V	690 V					
	I <sub>N</sub> (A)									
30	55,1	53,5	52,7	31,7	31,0	2960 ÷ 2970	≤ 1000	-15 / 40	No	
37	67,7	65,6	64,7	39,0	38,0	2960 ÷ 2970				
45	80,1	77,6	74,6	46,1	45,0	2965 ÷ 2970				
55	97,6	93,5	91,0	56,2	54,2	2960 ÷ 2965				

\*\* Operating conditions to be referred to motor only. About electric pump, refer to limits in user's manual.

sv-IE3-mott55-2p50-en\_a\_te

Note: Observe the regulations and codes locally in force regarding sorted waste disposal.

## MOTOR NOISE 2-POLE MOTORS

POWER kW	MOTOR TYPE IEC SIZE*	NOISE LpA dB
0,37	71R	<70
0,55	71	<70
0,75	80-80R	<70
1,1	80	<70
1,5	90-90R	<70
2,2	90	<70
3	100R	<70
4	112R	<70
5,5	132R	<70
7,5	132	71
11	160R	73
15	160	71
18,5	160	73
22	180R	70
30	200	72
37	200	72
45	225	75
55	250	75

\*R = Reduced motor casing size with respect to shaft extension and related flange.

1-125sv\_mott\_2p50-en\_b\_tr

The table show the mean sound pressure (Lp) measured as per Curve A (Standard ISO 1680). Noise values were measured with the 50 Hz motor running idle with a tolerance of 3 dB (A).

### AVAILABLE VOLTAGES

### SM and PLM MOTORS FOR e-SV™ SERIES, 2-POLE

P <sub>N</sub> kW	SINGLE-PHASE							
	50 Hz				60 Hz			
	1 x 220-240	1 x 100	1 x 110-120	1 x 220-230	1 x 100	1 x 110-115	1 x 120-127	1 x 200-210
0,37	s	o	o	s	-	o	-	-
0,55	s	o	o	s	o	o	o	o
0,75	s	o	o	s	o	o	o	o
1,1	s	-	o	s	-	o	-	o
1,5	s	-	-	s	-	o	-	o
2,2	s	-	-	s	-	-	-	-

P <sub>N</sub> kW	THREE-PHASE																		
	50 Hz								60 Hz								50/60 Hz		
	3 x 220-230-240/380-400-415	3 x 380-400-415/660-690	3 x 200-208/346-360	3 x 255-265/440-460	3 x 290-300/500-525	3 x 440-460/-	3 x 500-525/-	3 x 220-230/380-400	3 x 255-265-277/440-460-480	3 x 380-400/660-690	3 x 440-460-480/-	3 x 110-115/190-200	3 x 200-208/346-360	3 x 330-346/575-600	3 x 575/-	3 x 230/400 50 Hz	3 x 265/460 60 Hz	3 x 400/690 50 Hz	3 x 460/- 60 Hz
0,37	s	o	o	o	o	o	o	s	o	o	o	o	o	o	o	o	o	o	o
0,55	s	o	o	o	o	o	o	s	o	o	o	o	o	o	o	o	o	o	o
0,75	s	o	o	o	o	o	o	s	o	o	o	o	o	o	o	o	o	o	o
1,1	s	o	o	o	o	o	o	s	o	o	o	o	o	o	o	o	o	o	o
1,5	s	o	o	o	o	o	o	s	o	o	o	o	o	o	o	o	o	o	o
2,2	s	o	o	o	o	o	o	s	o	o	o	o	o	o	o	o	o	o	o
3	s	o	o	o	o	o	o	s	o	o	o	o	o	o	o	o	o	o	o
4	o	s	o	o	o	o	o	s	o	o	o	o	o	o	o	o	o	o	o
5,5	o	s	o	o	o	o	o	s	o	o	o	o	o	o	o	o	o	o	o
7,5	o	s	o	o	o	o	o	s	o	o	o	o	o	o	o	o	o	o	o
11	o	s	o	o	o	o	o	s	o	o	o	o	o	o	o	o	o	o	o
15	o	s	o	o	o	o	o	s	o	o	o	o	o	o	o	o	o	o	o
18,5	o	s	o	o	o	o	o	s	o	o	o	o	o	o	o	o	o	o	o
22	o	s	o	o	o	o	o	s	o	o	o	o	o	o	o	o	o	o	o

s = Standard voltage o = voltage upon request - = Not available

sv-volt-low-a-en\_b\_te

### W22 MOTORS FOR e-SV™ SERIES, 2-POLE

P <sub>N</sub> kW	THREE-PHASE																			
	50 Hz									60 Hz									50/60 Hz	
	3 x 220-230-240/380-400-415	3 x 380-400-415/660-690	3 x 110/190	3 x 200-208/346-360	3 x 255-265/440-460	3 x 290-300/500-525	3 x 440-460/-	3 x 500-525/-	3 x 230/380	3 x 380-400/660-690	3 x 440-480/-	3 x 110-115/190-200	3 x 200-208/346-360	3 x 255-265-277/440-460-480	3 x 330-346/575-600	3 x 575/-	3 x 230/400 50 Hz	3 x 265/460 60 Hz	3 x 400/690 50 Hz	3 x 460/- 60 Hz
30	o	s	o	o	o	o	o	o	s	o	o	o	o	o	o	o	o	o	o	o
37	o	s	o	o	o	o	o	o	s	o	o	o	o	o	o	o	o	o	o	o
45	o	s	o	o	o	o	o	o	s	o	o	o	o	o	o	o	o	o	o	o
55	o	s	o	o	o	o	o	o	s	o	o	o	o	o	o	o	o	o	o	o

s = Standard voltage o = voltage upon request - = Not available

sv-volt-weg-en\_c\_te



## e-SV™ SERIES PUMPS

With the “Energy using Products” (EuP 2005/32/EC) and “Energy related Products” (ErP 2009/125/EC) directives, the European Commission has established requirements for promoting the use of products with low power consumption.

Among the various products considered there are also some typologies of pumps with the characteristics defined by the specific **Regulation (EU) n. 547/2012** implementing the requirements of Directives EuP and ErP.

For vertical multi-stage pumps (MS-V for the Regulations), the efficiency evaluation refers to:

- just the pump and not the pump and motor assembly (electric or combustion);
- pumps with a nominal pressure PN not higher than 25 bar (2500 kPa);
- pumps designed to operate at a speed of 2900 min<sup>-1</sup> (for electric pumps this means 50 Hz 2-pole electric motors);
- pumps with a maximum flow of 100 m<sup>3</sup>/h;
- use with clean water at a temperature ranging from -10°C to 120°C (the test is performed with cold water at a temperature not higher than 40°C).

The Regulation also establishes the following deadlines:

from	minimum efficiency index (MEI)
1 <sup>st</sup> January 2013	MEI ≥ 0,1
1 <sup>st</sup> January 2015	MEI ≥ 0,4

### Regulation (EU) n. 547/2012 – Annex II – point 2 (Product information requirements)

- 1) Minimum efficiency index: see the MEI column in the tables in the *Hydraulic performance* section.
- 2) “The benchmark for most efficient water pumps is MEI ≥ 0,70”.
- 3) Year of manufacture: from January 2013.
- 4) Manufacturer: Lowara srl Unipersonale - Reg. No. 03471820260 - Montecchio Maggiore, Vicenza, Italy.
- 5) Product type: see the PUMP TYPE column in the tables in the *Hydraulic performance* section.
- 6) Hydraulic pump efficiency with trimmed impeller: not applicable to these products.
- 7) Pump performance curves, including the performance curve: see the *Operating Characteristics* graphs in the following pages.
- 8) “The efficiency of a pump with a trimmed impeller is usually lower than that of a pump with the full impeller diameter. The trimming of the impeller will adapt the pump to a fixed duty point, leading to reduced energy consumption. The minimum efficiency index (MEI) is based on the full impeller diameter”.
- 9) “The operation of this water pump with variable duty points may be more efficient and economic when controlled, for example, by the use of a variable speed drive that matches the pump duty to the system”.
- 10) Information relevant for disassembly, recycling or disposal at end-of-life: observe the current laws and by-laws governing sorted waste disposal. Consult the product operating manual.
- 11) “Designed for use below – 10 °C only”: note not applicable to these products.
- 12) “Designed for use above 120 °C only”: note not applicable to these products.
- 13) Specific instructions for pumps as per points 11 and 12: not applicable to these products.
- 14) “Information on benchmark efficiency is available at”: [www.europump.org](http://www.europump.org) (Ecodesign section).
- 15) The benchmark efficiency graphs with MEI = 0.7 and MEI = 0.4 are available at [www.europump.org/efficiencycharts](http://www.europump.org/efficiencycharts) or <http://europump.net/uploads/Fingerprints.pdf> (refer to “Multistage Vertical 2900 rpm”).



## e-SV™ SERIES - VERSION WITH HYDROVAR™ 50 Hz

### Background and context

In all areas of application, such as building services, industry, agriculture and air-handling, the demand for intelligent pumping systems is constantly growing. There are many advantages: reduced cost for pump life cycle, lower environmental impact, longer lifetime of pipes and unions. That's why Lowara has developed the e-SVH: an intelligent pumping system which assures high level performance with energy consumption tailored to demand.

### Benefits of e-SVH with HYDROVAR™

**Saving:** e-SVH transform e-SV™ pumps into variable speed intelligent pumping systems. Thanks to the HYDROVAR™ system, the speed of each pump varies so as to maintain a constant flow or pressure. The pump only receives the energy required, thus allowing considerable savings, especially for those systems in which demands varies during the day.

**Easy installation and space-saving:** e-SVH save time and space during installation. The HYDROVAR™ frequency converter is installed directly on the motor, cools it and does not require an additional control panel. Thanks to the HYDROVAR™ technology, there is no need for large diaphragm tanks to complete installation.

**Standard motors:** e-SVH are fitted with three-phase standard TEFC motors with insulation class 155 (F) and power outputs of up to 22 kW. The wall-mounted HYDROVAR™ version is available for higher power outputs (up to 45 kW).

### Identification code

e-SVH models are identified by the letter "H" in the standard identification code of the e-SV™ product range.

Example: 3SVH13F015T

**H** = with integrated HYDROVAR™.



### Special features / benefits

- **Additional pressure sensors are not required:** the e-SVH pumps are fitted with a pressure or differential pressure transmitter, depending on the application.
- **There is no need for special pumps or motors**
- **There is no need for bypass or safety systems:** with HYDROVAR™ the pump immediately switches off when demand drops to zero or when it exceeds maximum pump capacity. This makes it unnecessary to install additional safety devices.
- **Anti-condensation device:** all units are fitted with anti-condensation devices which switch on when the pump is in stand-by in order to prevent condensation forming in the unit.
- **i-ALERT™ device** on request to reduce the costs for each lifecycle, thus increasing the mean time between failures (MTBF).

### Special configurations

e-SVH have the same range of configurations as the standard e-SV™ series.

- Materials used: see the "Materials" section.
- Options for mechanical seals and gaskets: see the "Mechanical seals and gaskets" section.
- Motor and configuration options: see the "Motor" section.

## e-SV™ SERIES - VERSION WITH HYDROVAR™ OPERATING PRINCIPLE

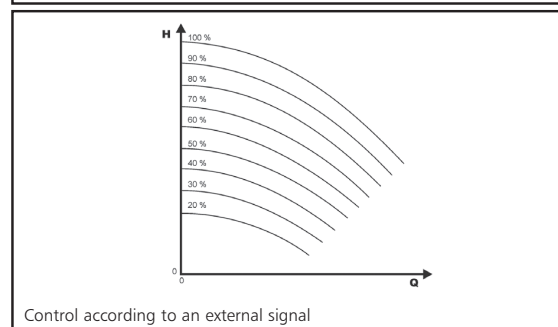
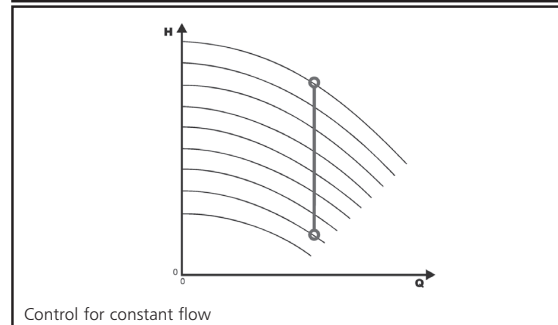
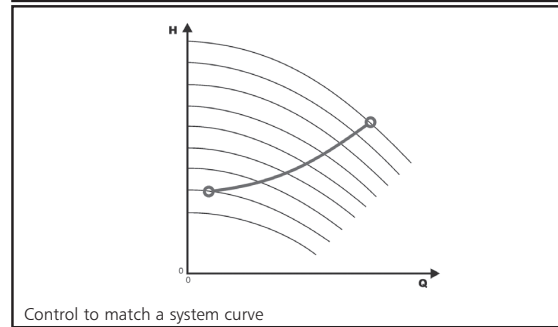
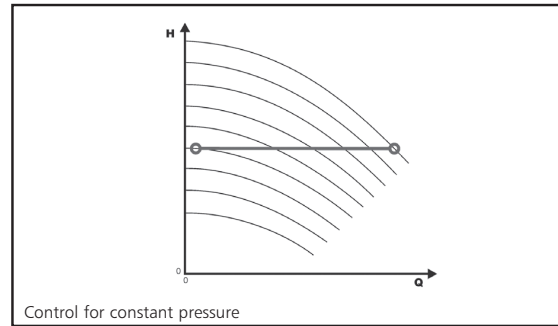
The basic function of the HYDROVAR™ device is to control the pump to meet the system demands.

### HYDROVAR™ performs these functions by:

- 1) Measuring the system pressure or flow via a transmitter mounted on the pump's delivery side.
- 2) Calculating the motor speed to maintain the correct flow or pressure.
- 3) Sending out a signal to the pump to start the motor, increase speed, decrease speed or stop.
- 4) In the case of multiple pump installations, HYDROVAR™ will automatically provide for the cyclic changeover of the pump's starting sequence.

In addition to these basic functions, HYDROVAR™ can do things only by the most advanced computerised control systems, such as:

- Stop the pump(s) at zero demand.
- Stop the pump(s) in case of water failure on the suction side (protection against dry running).
- Stop the pump if the required delivery exceeds the pump's capacity (protection against cavitation caused by excessive demand), or automatically switch on the next pump in a multiple series.
- Protect the pump and motor from overvoltage, undervoltage, overload and earth fault.
- Vary the pump speed acceleration and deceleration time.
- Compensate for increased flow resistance at high flow rates.
- Conduct automatic test starts at set intervals.
- Monitor the converter and motor operating hours.
- Display all functions on an LCD in different languages (Italian, English, French, German, Spanish, Portuguese, Dutch).
- Send a signal to a remote control system which is proportional to the pressure and frequency.
- Communicate with another HYDROVAR™ or control system via an RS 485 interface.



## TYPICAL EXAMPLE OF ENERGY SAVINGS

System: 22SV07F75T vertical multistage electric pump with 7,5 kW motor equipped with HYDROVAR™, 70 m head. 19 hour/day operation.

Application: maintaining a constant pressure as the flow rate varies according to the system curve.

FLOW m <sup>3</sup> /h	ABSORBED POWER		POWER SAVED kW	OPERATING TIME (hours)	TOTAL ENERGY SAVINGS kWh
	CONSTANT SPEED PUMP kW	VARIABLE SPEED PUMP kW			
24	7,4	7,4	0,0	876	-
21	6,9	6,1	0,8	876	701
18	6,5	5,0	1,5	1752	2.628
14	5,6	3,8	1,8	1752	3.154
10	5,1	2,8	2,3	1752	4.030
<b>YEARLY ENERGY SAVINGS (kWh)</b>					<b>10.512</b>

sv-hydr-en\_a\_te

## TYPICAL APPLICATIONS OF e-SV™ SERIES ELECTRIC PUMPS

### WATER SUPPLY AND PRESSURE BOOSTING

- Pressure boosting in building, hotel, residential complexes.
- Pressure booster stations, supply of water networks.
- Booster packages.

### WATER TREATMENT

- Ultrafiltration systems.
- Reverse osmosis systems.
- Water softeners and de-mineralization.
- Distillation systems.
- Filtration.

### LIGHT INDUSTRY

- Washing and cleaning plants (washing and degreasing of mechanical parts, car and truck wash tunnels, washing of electronic industry circuits).
- Commercial washers.
- Firefighting system pumps.

### PHARMACEUTICAL AND FOOD & BEVERAGE INDUSTRIES

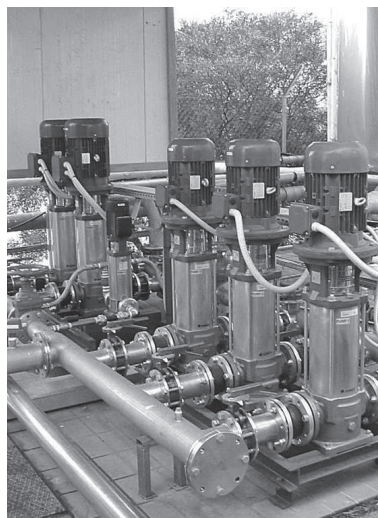
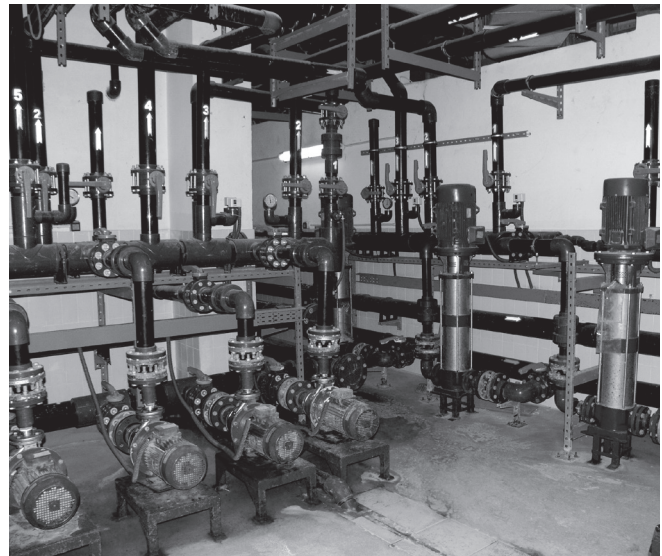
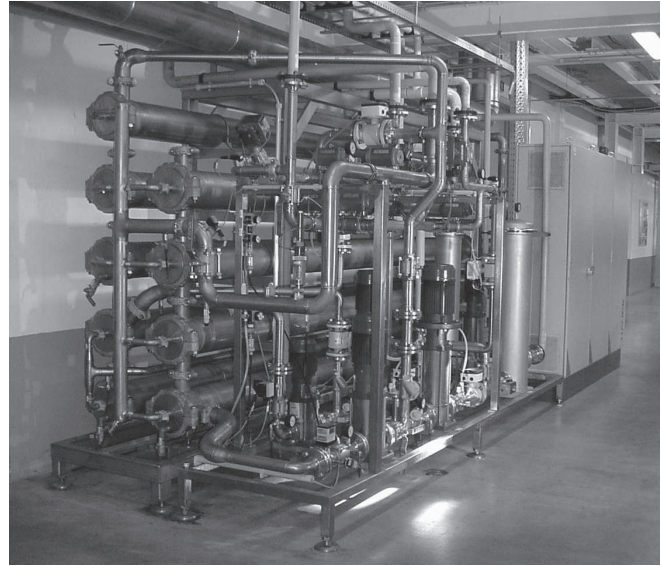
- Production plant where specific sanitary standards are required.

### IRRIGATION AND AGRICULTURE

- Greenhouses.
- Humidifiers.
- Sprinkler irrigation.

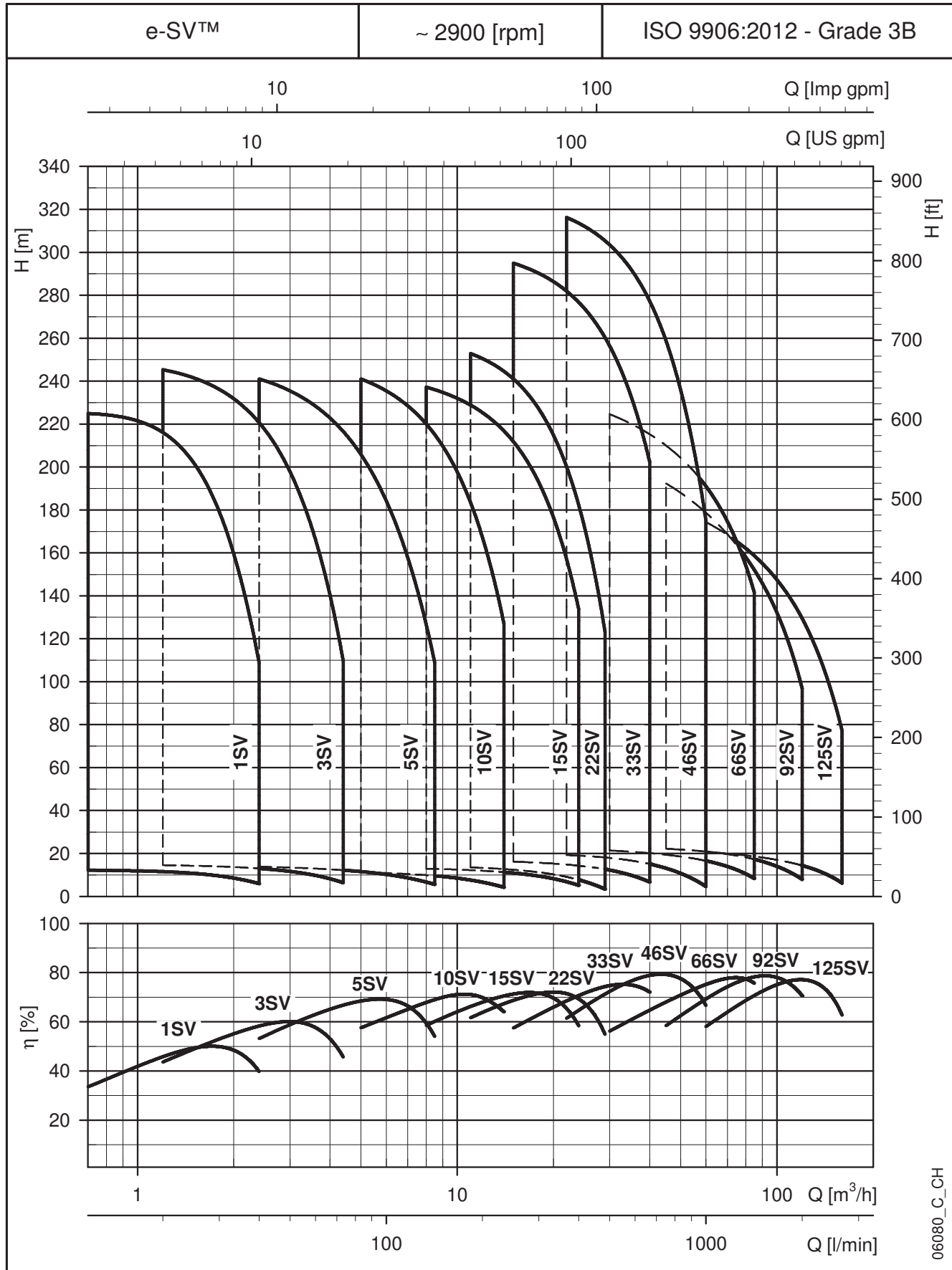
### HEATING, VENTILATION AND AIR CONDITIONING (HVAC)

- Cooling towers and systems.
- Temperature control systems.
- Refrigerators.
- Induction heating.
- Heat exchangers.
- Boilers, water recirculation and heating.



**e-SV™ SERIES**

**HYDRAULIC PERFORMANCE RANGE AT 50 Hz, 2 POLES**



06080\_C\_CH



## 1, 3, 5SV SERIES HYDRAULIC PERFORMANCE TABLE AT 50 Hz, 2 POLES

POMPA TYPE	RATED POWER		MEI ≥ (1)	Q = DELIVERY													
	kW	HP		l/min 0	12	20	25	30	35	40	45	50	60	73	100	120	141
				m <sup>3</sup> /h 0	0,7	1,2	1,5	1,8	2,1	2,4	2,7	3,0	3,6	4,4	6,0	7,2	8,5
H = TOTAL HEAD IN METRES OF COLUMN OF WATER																	
1SV02	0,37	0,5	0,70	12,2	12,2	11,5	10,7	9,5	7,9	6,0							
1SV03	0,37	0,5	0,70	18,0	18,0	17,0	15,7	13,8	11,4	8,4							
1SV04	0,37	0,5	0,70	23,7	23,5	22,1	20,4	17,9	14,6	10,6							
1SV05	0,37	0,5	0,70	29,3	28,9	27,0	24,8	21,6	17,4	12,5							
1SV06	0,37	0,5	0,70	34,8	34,2	31,7	28,9	25,0	20,0	14,0							
1SV07	0,37	0,5	0,70	40,2	39,2	36,1	32,7	28,1	22,2	15,2							
1SV08	0,55	0,75	0,70	48,1	47,9	45,2	41,8	36,8	30,4	22,4							
1SV09	0,55	0,75	0,70	53,7	53,4	50,4	46,4	40,8	33,5	24,6							
1SV10	0,55	0,75	0,70	59,4	59,0	55,5	51,0	44,7	36,6	26,6							
1SV11	0,55	0,75	0,70	65,1	64,5	60,4	55,5	48,5	39,5	28,5							
1SV12	0,75	1	0,70	73,3	73,1	69,3	64,3	57,1	47,6	35,7							
1SV13	0,75	1	0,70	79,2	78,9	74,8	69,4	61,6	51,2	38,2							
1SV15	0,75	1	0,70	90,9	90,5	85,6	79,3	70,1	58,1	43,1							
1SV17	1,1	1,5	0,70	105,2	104,9	100,0	93,1	82,6	68,6	51,2							
1SV19	1,1	1,5	0,70	117,0	116,7	111,0	103,2	91,5	75,8	56,3							
1SV22	1,1	1,5	0,70	134,6	134,1	127,4	118,1	104,4	86,1	63,5							
1SV25	1,5	2	0,70	152,6	152,4	145,5	135,4	120,0	99,1	72,7							
1SV27	1,5	2	0,70	164,3	164,0	156,4	145,4	128,8	106,1	77,5							
1SV30	1,5	2	0,70	181,7	181,3	172,6	160,1	141,2	115,7	83,9							
1SV32	2,2	3	0,70	197,2	197,1	188,4	175,8	156,5	130,0	96,3							
1SV34	2,2	3	0,70	209,2	208,9	199,8	186,3	165,5	137,1	101,2							
1SV37	2,2	3	0,70	225,9	224,9	216,1	201,9	179,3	148,1	108,7							
3SV02	0,37	0,5	0,70	14,9		14,5	14,3	14,0	13,5	13,0	12,4	11,7	9,8	6,5			
3SV03	0,37	0,5	0,70	22,0		21,2	20,8	20,3	19,6	18,7	17,7	16,6	13,7	8,6			
3SV04	0,37	0,5	0,70	28,9		27,7	27,1	26,2	25,2	23,9	22,5	20,8	16,8	10,1			
3SV05	0,55	0,75	0,70	37,2		36,4	35,8	35,0	33,9	32,6	31,1	29,2	24,5	16,2			
3SV06	0,55	0,75	0,70	44,4		43,4	42,6	41,6	40,2	38,6	36,6	34,3	28,5	18,5			
3SV07	0,75	1	0,70	52,5		51,8	51,0	50,0	48,7	47,0	45,0	42,5	36,1	24,6			
3SV08	0,75	1	0,70	60,0		59,1	58,2	57,0	55,4	53,4	51,0	48,1	40,7	27,5			
3SV09	1,1	1,5	0,70	67,7		66,8	65,8	64,5	62,8	60,6	57,9	54,6	46,4	31,6			
3SV10	1,1	1,5	0,70	75,0		73,8	72,7	71,3	69,3	66,9	63,8	60,2	51,0	34,5			
3SV11	1,1	1,5	0,70	82,3		81,0	79,7	78,0	75,8	73,1	69,7	65,7	55,5	37,4			
3SV12	1,1	1,5	0,70	89,6		87,8	86,4	84,5	82,1	79,1	75,5	71,1	59,9	40,1			
3SV13	1,5	2	0,70	98,1		96,7	95,4	93,5	91,0	87,8	83,9	79,2	67,2	45,6			
3SV14	1,5	2	0,70	105,6		104,1	102,5	100,4	97,7	94,2	89,9	84,8	71,8	48,5			
3SV16	1,5	2	0,70	119,9		117,8	116,1	113,6	110,5	106,5	101,6	95,8	80,9	54,2			
3SV19	2,2	3	0,70	144,3		142,3	140,3	137,5	133,9	129,2	123,5	116,7	99,1	67,6			
3SV21	2,2	3	0,70	159,3		156,9	154,6	151,4	147,3	142,1	135,7	128,0	108,5	73,6			
3SV23	2,2	3	0,70	174,0		171,1	168,5	165,0	160,4	154,7	147,6	139,2	117,7	79,4			
3SV25	2,2	3	0,70	188,5		186,1	183,3	179,3	174,1	167,6	159,7	150,3	126,6	84,8			
3SV27	3	4	0,70	204,4		201,7	198,8	194,7	189,4	182,7	174,4	164,5	139,4	94,4			
3SV29	3	4	0,70	219,3		216,0	212,8	208,3	202,6	195,3	186,4	175,7	148,6	100,2			
3SV31	3	4	0,70	233,8		230,3	226,8	222,0	215,7	207,8	198,2	186,7	157,6	106,0			
3SV33	3	4	0,70	248,5		245,3	241,5	236,2	229,3	220,7	210,2	197,7	166,3	111,2			
5SV02	0,37	0,5	0,70	14,8						13,8	13,7	13,4	13,0	12,2	10,2	8,2	5,7
5SV03	0,55	0,75	0,70	22,8						21,8	21,6	21,3	20,7	19,7	16,9	14,1	10,3
5SV04	0,55	0,75	0,70	30,0						28,2	27,9	27,5	26,6	25,2	21,2	17,3	12,2
5SV05	0,75	1	0,70	38,0						36,4	36,0	35,5	34,5	32,9	28,2	23,5	17,1
5SV06	1,1	1,5	0,70	45,3						43,7	43,3	42,8	41,6	39,6	33,9	28,1	20,3
5SV07	1,1	1,5	0,70	52,7						50,7	50,1	49,5	48,1	45,8	39,1	32,2	23,1
5SV08	1,1	1,5	0,70	60,1						57,6	57,0	56,2	54,6	51,8	44,1	36,2	25,8
5SV09	1,5	2	0,70	68,0						65,5	64,8	64,0	62,2	59,3	50,6	41,9	30,2
5SV10	1,5	2	0,70	75,5						72,4	71,7	70,8	68,7	65,4	55,7	46,0	33,0
5SV11	1,5	2	0,70	82,8						79,3	78,4	77,5	75,2	71,4	60,7	49,9	35,6
5SV12	2,2	3	0,70	90,8						88,0	87,0	86,0	83,4	79,3	67,4	55,7	40,5
5SV13	2,2	3	0,70	98,3						95,0	94,0	92,8	90,0	85,5	72,6	59,9	43,5
5SV14	2,2	3	0,70	105,7						102,0	100,9	99,6	96,6	91,7	77,8	64,0	46,3
5SV15	2,2	3	0,70	113,1						109,0	107,8	106,4	103,1	97,8	82,8	68,1	49,1
5SV16	2,2	3	0,70	120,5						115,9	114,6	113,1	109,6	103,9	87,8	72,1	51,8
5SV18	3	4	0,70	135,8						131,1	129,7	128,0	124,1	117,8	99,9	82,3	59,5
5SV21	3	4	0,70	157,9						152,0	150,3	148,3	143,6	136,1	114,9	94,2	67,6
5SV23	4	5,5	0,70	174,4						168,9	167,2	165,1	160,2	152,3	129,6	107,2	78,2
5SV25	4	5,5	0,70	189,2						183,1	181,1	178,9	173,5	164,8	140,1	115,7	84,1
5SV28	4	5,5	0,70	211,5						204,2	201,9	199,4	193,3	183,4	155,5	128,0	92,7
5SV30	5,5	7,5	0,70	227,0						219,8	217,5	214,8	208,4	198,1	168,5	139,3	101,5
5SV33	5,5	7,5	0,70	249,2						241,0	238,4	235,5	228,4	216,9	184,2	151,9	110,3

Hydraulic performances in compliance with ISO 9906:2012 - Grade 3B (ex ISO 9906:1999 - Annex A)

1-5sv-2p50-en\_d\_th

(1) Value referred to the F, T, R, N, V, C, K versions. P version excluded.

## 10, 15, 22SV SERIES

### HYDRAULIC PERFORMANCE TABLE AT 50 Hz, 2 POLES

PUMP TYPE	RATED POWER		MEI ≥ (1)	Q = DELIVERY													
	kW	HP		l/min 0	83,34	100	133	170	183,34	233	270	330	350	400	430	460	483,33
				m <sup>3</sup> /h 0	5,0	6,0	8,0	10,2	11,0	14,0	16,2	19,8	21,0	24,0	25,8	27,6	29,0
H = TOTAL HEAD IN METRES OF COLUMN OF WATER																	
10SV01	0,75	1	0,70	11,8	11,2	10,9	9,9	8,3	7,6	4,3							
10SV02	0,75	1	0,70	23,6	21,9	21,3	19,6	17,0	15,8	10,0							
10SV03	1,1	1,5	0,70	35,7	33,0	32,1	29,6	25,8	24,1	16,0							
10SV04	1,5	2	0,70	47,7	44,2	43,0	39,9	34,8	32,6	21,7							
10SV05	2,2	3	0,70	60,0	56,1	54,7	50,9	44,9	42,2	29,0							
10SV06	2,2	3	0,70	71,8	66,8	65,0	60,4	53,1	49,8	33,9							
10SV07	3	4	0,70	83,6	78,3	76,2	70,8	62,1	58,3	39,8							
10SV08	3	4	0,70	95,3	88,9	86,5	80,1	70,2	65,7	44,5							
10SV09	4	5,5	0,70	106,3	100,1	97,5	90,8	80,0	75,1	52,1							
10SV10	4	5,5	0,70	118,0	110,8	107,9	100,3	88,2	82,8	57,2							
10SV11	4	5,5	0,70	129,6	121,3	118,1	109,6	96,3	90,3	62,1							
10SV13	5,5	7,5	0,70	156,0	146,5	142,7	132,6	116,4	109,2	74,3							
10SV15	5,5	7,5	0,70	179,5	167,9	163,4	151,6	132,8	124,3	83,9							
10SV17	7,5	10	0,70	205,0	193,2	188,5	175,7	154,7	145,2	98,8							
10SV18	7,5	10	0,70	216,9	204,2	199,1	185,5	163,2	153,1	104,0							
10SV20	7,5	10	0,70	240,6	226,0	220,3	205,0	180,2	168,9	114,3							
10SV21	11	15	0,70	253,6	241,0	235,5	220,2	195,0	183,5	127,5							
15SV01	1,1	1,5	0,70	14,0			12,9	12,4	12,2	11,3	10,4	8,4	7,6	5,1			
15SV02	2,2	3	0,70	28,7			26,7	25,9	25,5	23,9	22,4	18,9	17,4	13,1			
15SV03	3	4	0,70	43,3			40,4	39,1	38,6	36,2	33,8	28,7	26,5	20,1			
15SV04	4	5,5	0,70	58,4			54,7	53,1	52,5	49,4	46,3	39,7	36,9	28,7			
15SV05	4	5,5	0,70	72,7			67,8	65,8	65,0	61,0	57,1	48,7	45,2	34,9			
15SV06	5,5	7,5	0,70	87,6			81,5	79,4	78,4	74,1	69,9	60,3	56,3	44,2			
15SV07	5,5	7,5	0,70	101,9			94,5	91,9	90,8	85,7	80,6	69,4	64,7	50,5			
15SV08	7,5	10	0,70	117,4			110,9	108,0	106,8	100,8	94,9	82,0	76,7	60,6			
15SV09	7,5	10	0,70	131,9			124,4	121,0	119,6	112,8	106,1	91,5	85,5	67,4			
15SV10	11	15	0,70	147,7			138,8	135,3	133,8	126,7	119,6	103,9	97,4	77,5			
15SV11	11	15	0,70	162,3			152,4	148,5	146,8	138,9	131,1	113,8	106,5	84,7			
15SV13	11	15	0,70	191,3			179,2	174,5	172,5	163,1	153,7	133,1	124,5	98,6			
15SV15	15	20	0,70	222,1			209,9	204,8	202,6	192,2	181,7	158,3	148,5	118,8			
15SV17	15	20	0,70	251,6			237,3	231,4	228,9	216,9	205,0	178,4	167,3	133,6			
22SV01	1,1	1,5	0,70	14,7					13,5	12,7	12,0	10,4	9,7	7,7	6,3	4,7	3,4
22SV02	2,2	3	0,70	30,4					28,4	27,2	26,0	23,3	22,2	18,9	16,6	13,8	11,5
22SV03	3	4	0,70	45,4					42,2	40,4	38,5	34,5	32,8	27,8	24,2	20,2	16,6
22SV04	4	5,5	0,70	60,9					56,8	54,4	51,9	46,6	44,4	37,9	33,1	27,7	23,0
22SV05	5,5	7,5	0,70	76,0					70,9	67,9	64,9	58,3	55,6	47,4	41,4	34,7	28,8
22SV06	7,5	10	0,70	93,2					88,8	85,7	82,5	75,4	72,4	63,3	56,7	49,1	42,6
22SV07	7,5	10	0,70	108,5					103,1	99,4	95,7	87,2	83,7	73,1	65,3	56,5	48,8
22SV08	11	15	0,70	124,6					119,2	115,2	111,0	101,6	97,7	85,7	77,0	66,9	58,2
22SV09	11	15	0,70	140,1					133,7	129,2	124,4	113,8	109,3	95,8	86,0	74,6	64,8
22SV10	11	15	0,70	155,4					148,2	143,1	137,8	125,9	120,9	105,8	94,8	82,3	71,3
22SV12	15	20	0,70	186,1					178,6	172,9	166,8	152,9	147,0	129,1	115,9	100,7	87,4
22SV14	15	20	0,70	216,6					207,7	200,9	193,7	177,4	170,4	149,4	133,9	116,1	100,6
22SV17	18,5	25	0,70	263,5					252,8	244,7	236,0	216,2	207,8	182,3	163,6	142,0	123,2

Hydraulic performances in compliance with ISO 9906:2012 - Grade 3B (ex ISO 9906:1999 - Annex A)

10-22sv-2p50-en\_b\_th

(1) Value referred to the F, T, R, N, V, C, K versions. P version excluded.

### 33, 46SV SERIES HYDRAULIC PERFORMANCE TABLE AT 50 Hz, 2 POLES

PUMP TYPE	RATED POWER		MEI ≥ (1)	Q = DELIVERY										
	kW	HP		l/min 0	250	300	367	417	500	583	667	750	900	1000
				m <sup>3</sup> /h 0	15	18	22	25	30	35	40	45	54	60
H = TOTAL HEAD METRES COLUMN OF WATER														
33SV1/1A	2,2	3	0,70	17,4	16,2	15,7	15	14	12,2	9,8	6,7			
33SV1	3	4	0,70	23,8	21,7	21,2	20	20	17,8	15,5	12,7			
33SV2/2A	4	5,5	0,70	35,1	34,1	33,3	32	30	27	22,4	16,6			
33SV2/1A	4	5,5	0,70	40,8	38,8	37,9	36	35	32	27,5	22,3			
33SV2	5,5	7,5	0,70	47,8	45	44,1	43	41	39	35	29,9			
33SV3/2A	5,5	7,5	0,70	57,7	55,2	53,8	51	49	44	38	29,6			
33SV3/1A	7,5	10	0,70	64,5	61,3	60	58	56	51	45	37			
33SV3	7,5	10	0,70	71,5	67,4	66,0	64	62	58	52,0	44,6			
33SV4/2A	7,5	10	0,70	82	78,8	77	74	72	66	58	47,2			
33SV4/1A	11	15	0,70	88,9	85	83	81	78	73	65	55,1			
33SV4	11	15	0,70	95,9	91,1	90	87	85	80	73	63,1			
33SV5/2A	11	15	0,70	106	101,6	100	96	93	85	76	63			
33SV5/1A	11	15	0,70	112,7	107,2	105	102	99	92	82	70			
33SV5	15	20	0,70	120,4	114,9	113	110	107	101	92	80,5			
33SV6/2A	15	20	0,70	131,2	126,9	125	120	116	108	96	81,2			
33SV6/1A	15	20	0,70	139,1	133,5	131	128	124	116	105	90,4			
33SV6	15	20	0,70	145,6	139	137	133	129	121	110	96,1			
33SV7/2A	15	20	0,70	156	149,9	147	143	138	128	115	98,2			
33SV7/1A	18,5	25	0,70	163,3	156,6	154	150	145	136	123	106,2			
33SV7	18,5	25	0,70	170,3	162,8	160	156	152	142	130	113,3			
33SV8/2A	18,5	25	0,70	180,6	173,7	171	166	161	150	135	115,3			
33SV8/1A	18,5	25	0,70	187,4	179,5	177	171	166	156	141	121,7			
33SV8	22	30	0,70	194,1	185,1	182	177	172	161	147	128			
33SV9/2A	22	30	0,70	202,1	194,1	191	185	179	166	150	127,9			
33SV9/1A	22	30	0,70	210,2	201,2	198	192	186	174	157	135,9			
33SV9	22	30	0,70	216,8	206,8	204	198	193	181	165	143,7			
33SV10/2A	22	30	0,70	226,4	217,2	213	207	200	186	168	143,9			
33SV10/1A	30	40	0,70	234,5	225	221	215	209	196	178	154,2			
33SV10	30	40	0,70	241,8	231,3	228	222	216	203	185	162,2			
33SV11/2A	30	40	-	252	244	240	233	226	211	190	163,7			
33SV11/1A	30	40	-	259	249,2	245	238	232	217	197	171			
33SV11	30	40	-	265,7	253,6	250	243	236	222	203	176,9			
33SV12/2A	30	40	-	275,9	266,2	262	254	246	229	207	178,3			
33SV12/1A	30	40	-	282,8	271,5	267	260	252	236	214	185,6			
33SV12	30	40	-	289,8	276,7	272	265	258	242	221	192,9			
33SV13/2A	30	40	-	300,5	291,1	286	278	270	252	228	197,6			
33SV13/1A	30	40	-	306,9	294,9	290	282	274	256	233	202,4			
46SV1/1A	3	4	0,70	19,5			19,2	18,8	17,9	16,7	15,1	13,1	8,5	4,6
46SV1	4	5,5	0,70	27,2			24	23,5	22,5	21,4	19,9	18,2	14,3	10,8
46SV2/2A	5,5	7,5	0,70	38,8			39,8	39,2	37,8	35,7	32,9	29,4	21,1	13,9
46SV2	7,5	10	0,70	52,6			48,5	47,7	46,1	44,2	41,7	38,7	31,4	25,1
46SV3/2A	11	15	0,70	64,7			65,1	64	62	60	56	52	40,4	30,8
46SV3	11	15	0,70	80,8			74,3	73	71	68	65	60	50	40,7
46SV4/2A	15	20	0,70	92,4			90,7	90	87	83	79	73	58	45,6
46SV4	15	20	0,70	107,3			99,8	98	96	92	87	82	68	55,9
46SV5/2A	18,5	25	0,70	117,2			114,8	113	110	106	100	93	75	60,2
46SV5	18,5	25	0,70	134,5			125,1	123	120	116	110	103	86	71,5
46SV6/2A	22	30	0,70	143,7			139,3	138	134	129	122	113	92	73,4
46SV6	22	30	0,70	161			149,9	148	144	139	132	124	104	86
46SV7/2A	30	40	0,70	171,3			164,9	163	158	152	144	134	110	88,6
46SV7	30	40	0,70	188,6			175,5	173	168	162	155	145	122	101,2
46SV8/2A	30	40	0,70	198,2			190	188	182	176	166	155	127	103,1
46SV8	30	40	0,70	213,1			198,6	196	191	184	175	164	137	112,6
46SV9/2A	30	40	0,70	224,8			214,5	212	206	198	187	174	143	116
46SV9	37	50	0,70	240,9			225,2	222	217	209	199	187	157	130,2
46SV10/2A	37	50	-	252,7			241,1	238	232	223	212	198	164	133,9
46SV10	37	50	-	267,6			250,3	247	241	232	221	208	174	144,8
46SV11/2A	45	60	-	280,4			267,4	264	258	249	237	222	184	151,1
46SV11	45	60	-	295,5			276,4	273	266	257	245	230	194	161,3
46SV12/2A	45	60	-	307,3			292,5	289	282	272	259	243	202	165,8
46SV12	45	60	-	321,8			301	297	290	280	267	250	210	175
46SV13/2A	45	60	-	332,5			316,2	312	304	292	277	259	214	175

Hydraulic performances in compliance with ISO 9906:2012 - Grade 3B (ex ISO 9906:1999 - Annex A)

33-46sv-2p50-en\_b\_th

(1) Value referred to the G and N versions with PN ≤ 25 bar (2500 kPa). G and N versions with PN > 25 bar (2500 kPa) and P version are excluded

## 66, 92SV SERIES

### HYDRAULIC PERFORMANCE TABLE AT 50 Hz, 2 POLES

PUMP TYPE	RATED POWER		MEI ≥ (1)	Q = DELIVERY												
				l/min 0	500	600	700	750	900	1000	1200	1300	1417	1600	1800	2000
	kW	HP		m <sup>3</sup> /h 0	30	36	42	45	54	60	72	78	85	96	108	120
H = TOTAL HEAD METRES COLUMN OF WATER																
66SV1/1A	4	5,5	0,70	23,8	21,4	20,7	19,9	19,4	17,8	16,6	13,3	11,2	8,3			
66SV1	5,5	7,5	0,70	29,2	25,8	24,8	23,8	23,3	21,8	20,7	17,9	16,1	13,5			
66SV2/2A	7,5	10	0,70	47,5	42,6	41,2	39,5	38,6	36	32,9	26,4	22,2	16,4			
66SV2/1A	11	15	0,70	54,2	49,6	48,2	46,7	45,8	42,9	40,6	34,8	31,2	26,2			
66SV2	11	15	0,70	60,4	55,7	54,4	52,8	52	49,3	47,1	42	38,9	34,7			
66SV3/2A	15	20	0,70	78,4	71,6	70	67	66	62	58	49	43,3	35,3			
66SV3/1A	15	20	0,70	84,7	77,8	76	74	72	68	65	56	51	44,0			
66SV3	18,5	25	0,70	91,4	84,7	83	81	79	75	72	64	60	53,5			
66SV4/2A	18,5	25	0,70	108,9	99,6	97	94	92	86	82	70	63	52,8			
66SV4/1A	22	30	0,70	115,2	105,9	103	100	99	93	89	78	71	61,8			
66SV4	22	30	0,70	121,6	112,5	110	107	105	100	96	86	79	70,8			
66SV5/2A	30	40	0,70	139,1	127,5	124	120	118	111	106	92	83	70,4			
66SV5/1A	30	40	0,70	145,6	134	131	127	125	118	112	99	91	79,5			
66SV5	30	40	0,70	152	140,4	137	133	131	125	119	107	99	88,5			
66SV6/2A	30	40	0,70	169,5	155,6	152	147	144	136	129	113	103	88,1			
66SV6/1A	30	40	0,70	176	162	158	153	151	143	136	121	111	97,2			
66SV6	37	50	0,70	182,4	168,5	164	160	158	150	143	128	119	106,2			
66SV7/2A	37	50	0,70	199,9	183,7	179	174	171	161	153	134	122	105,8			
66SV7/1A	37	50	0,70	206,4	190,1	185	180	177	168	160	142	131	114,9			
66SV7	45	60	0,70	212,8	196,5	192	187	184	174	167	150	139	123,9			
66SV8/2A	45	60	0,70	230,3	211,8	206	200	197	186	177	156	142	123,5			
66SV8/1A	45	60	0,70	236,8	218,2	213	207	204	193	184	163	150	132,6			
66SV8	45	60	0,70	243,2	224,6	219	213	210	199	191	171	159	141,6			
92SV1/1A	5,5	7,5	0,60	24,5				22,2	21,5	20,9	19,4	18,5	17,3	15	11,8	7,9
92SV1	7,5	10	0,60	33,5				28,7	27,2	26,2	24,3	23,3	22,2	20,2	17,6	14,3
92SV2/2A	11	15	0,60	49,4				45,1	43,7	42,5	39,6	37,9	35,5	30,9	24,6	16,8
92SV2	15	20	0,60	67,8				58,2	55	53	49,5	47,6	45,2	41,4	36,3	29,6
92SV3/2A	18,5	25	0,60	82,4				74,4	72	70	65	62	59	52	43,6	32,9
92SV3	22	30	0,60	102,2				88,2	84	81	76	73	69	63	56	46,3
92SV4/2A	30	40	0,60	115,7				104	100	97	90	87	82	74	63	49
92SV4	30	40	0,60	133,1				117	112	108	101	97	92	85	75	62,5
92SV5/2A	37	50	0,60	149				133,2	128	124	116	111	105	95	81	64,6
92SV5	37	50	0,60	166,4				146,3	140	135	126	121	115	106	94	78,1
92SV6/2A	45	60	0,60	183,3				163,1	156	152	141	135	129	117	101	81
92SV6	45	60	0,60	200,9				175,9	168	163	151	146	139	127	113	94,2
92SV7/2A	45	60	0,60	216,8				192,4	184	179	167	160	152	138	120	96,7

Hydraulic performances in compliance with ISO 9906:2012 - Grade 3B (ex ISO 9906:1999 - Annex A)

66-92sv-2p50-en\_b\_th

(1) Value referred to the G, N versions. P version excluded.



## 125SV SERIES

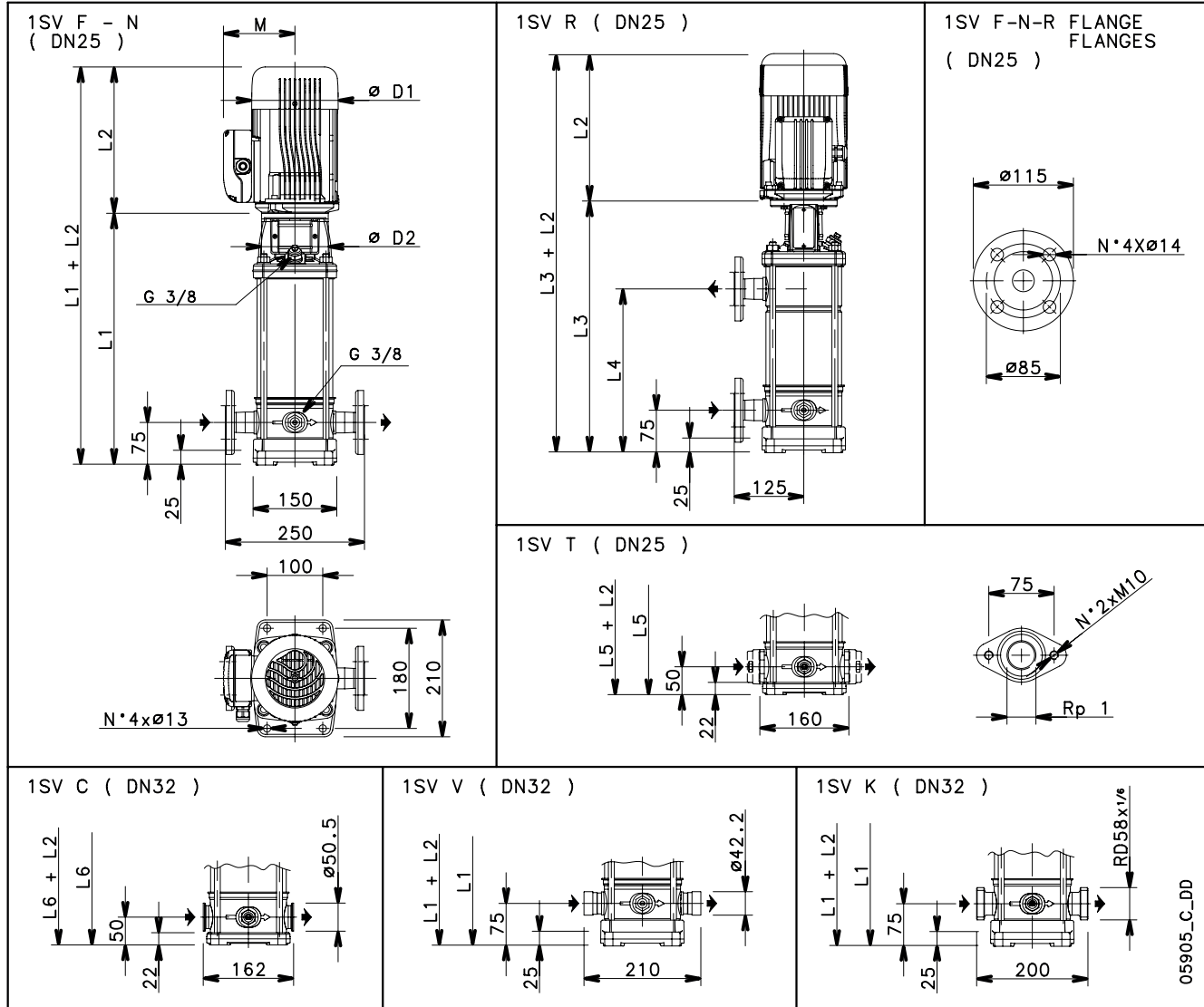
### HYDRAULIC PERFORMANCE TABLE AT 50 Hz, 2 POLES

PUMP TYPE	RATED POWER		MEI ≥	Q = DELIVERY													
				l/min 0	500	600	750	900	1000	1200	1416	1700	1900	2000	2150	2300	2666
	kW	HP		m <sup>3</sup> /h 0	30,0	36,0	45,0	54,0	60,0	72,0	85,0	102,0	114,0	120,0	129,0	138,0	160,0
H = TOTAL HEAD IN METRES OF COLUMN OF WATER																	
125SV1	7,5	10	-	27,6					20,8	19,8	18,6	16,8	15,3	14,4	12,9	11,3	6,2
125SV2	15	20	-	53,8					44,4	42,5	40,4	37,1	34,4	32,9	30,4	27,7	19,6
125SV3	22	30	-	80,7					66,5	63,8	60,6	55,7	51,6	49,4	45,7	41,5	29,4
125SV4	30	40	-	107,6					88,7	85,0	80,7	74,2	68,8	65,8	60,9	55,4	39,2
125SV5	37	50	-	134,5					110,9	106,3	100,9	92,8	86,0	82,3	76,1	69,2	49,0
125SV6	45	60	-	161,4					133,1	127,6	121,1	111,3	103,2	98,7	91,3	83,1	58,8
125SV7	55	75	-	188,3					155,2	148,8	141,3	129,9	120,4	115,2	106,6	96,9	68,6
125SV8/2A	55	75	-	211,5					174,4	167,2	158,7	145,9	135,3	129,4	119,7	108,9	77,1

Hydraulic performances in compliance with ISO 9906:2012 - Grade 3B (ex ISO 9906:1999 - Annex A)

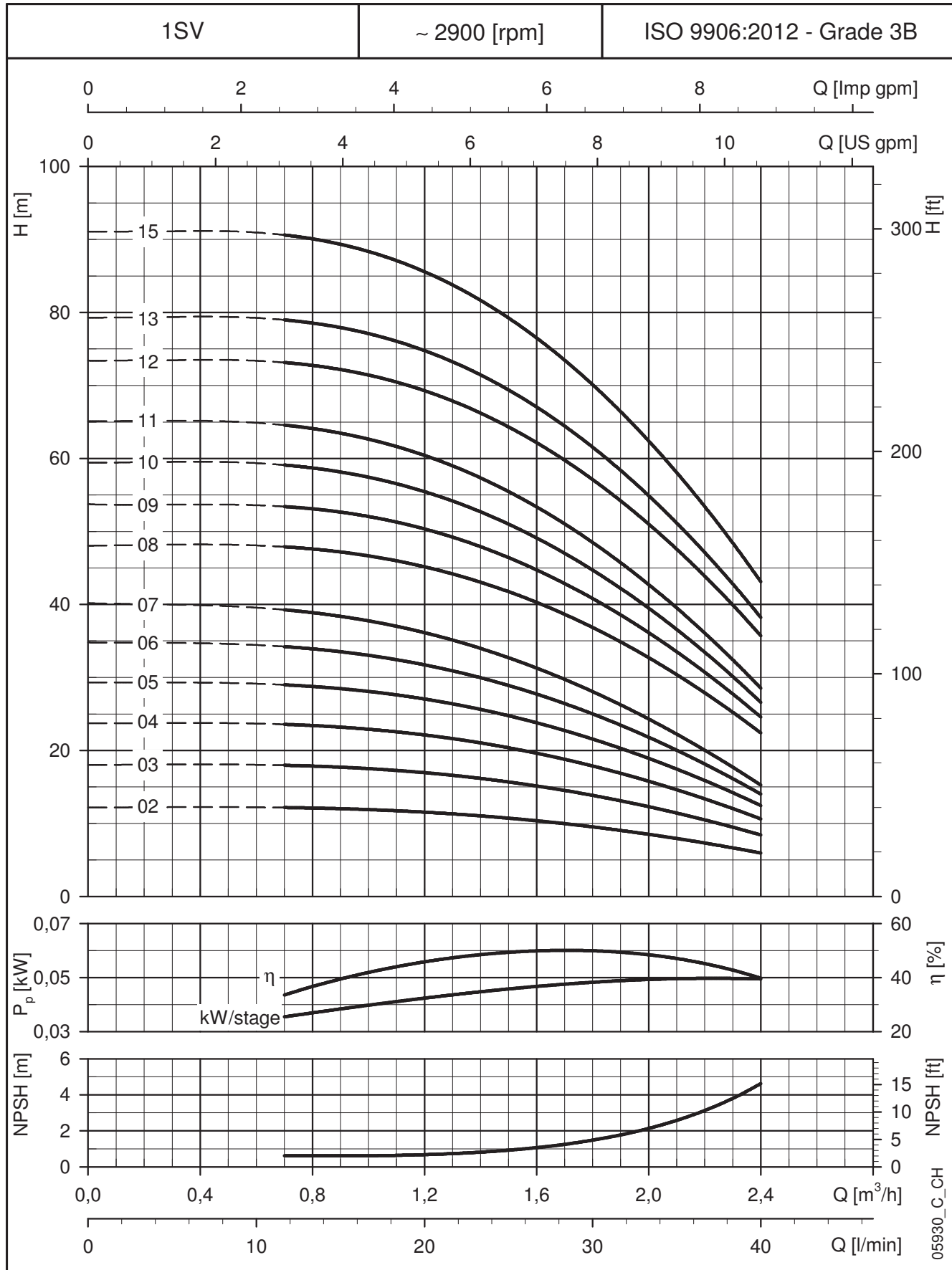
125sv-2p50-en\_b\_th

### 1SV SERIES, 2 TO 15 STAGES DIMENSIONS AND WEIGHTS AT 50 Hz, 2 POLES



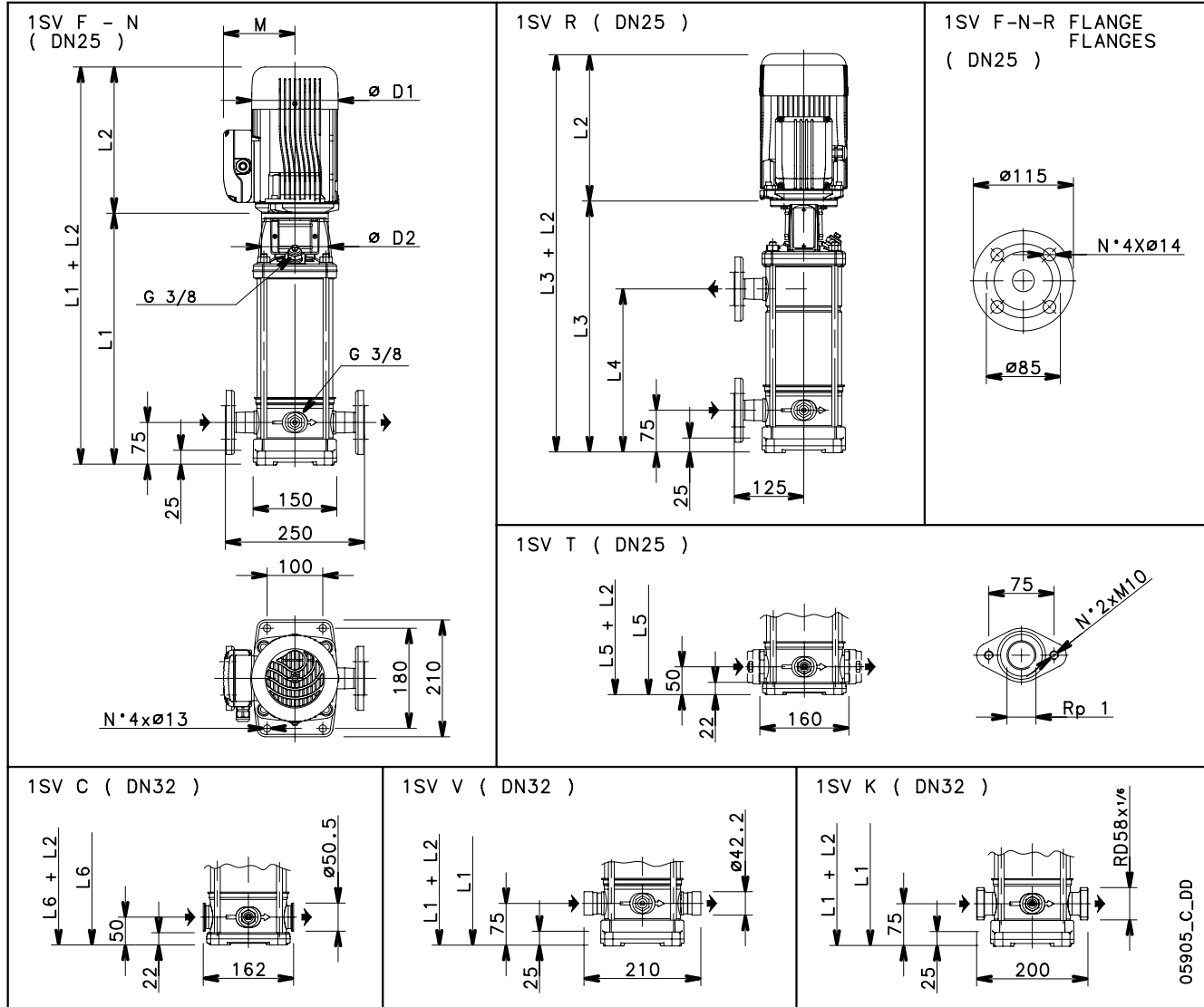
PUMP TYPE	MOTOR		DIMENSIONS (mm)												WEIGHT kg	
	kW	SIZE	L1	L2		L3	L4	L5	L6	M		D1		D2	PUMP	ELECTRIC
1SV02..	0,37	71	278	1~	3~	-	-	253	253	1~	3~	1~	3~	105	8,3	13
1SV03..	0,37	71	278	209	209	-	-	253	253	111	111	120	120	105	8,6	13,4
1SV04..	0,37	71	298	209	209	-	-	273	273	111	111	120	120	105	9	13,8
1SV05..	0,37	71	318	209	209	-	-	293	293	111	111	120	120	105	9,4	14,2
1SV06..	0,37	71	338	209	209	-	-	313	313	111	111	120	120	105	9,8	14,6
1SV07..	0,37	71	358	209	209	358	207	333	333	111	111	120	120	105	10,2	14,9
1SV08..	0,55	71	378	231	231	378	227	353	353	121	121	140	140	105	10,5	15,2
1SV09..	0,55	71	398	231	231	398	247	373	373	121	121	140	140	105	10,9	15,6
1SV10..	0,55	71	418	231	231	418	267	393	393	121	121	140	140	105	11,3	16
1SV11..	0,55	71	438	231	231	438	287	413	413	121	121	140	140	105	11,7	16,4
1SV12../D	0,75	80	468	226	263	468	307	443	443	121	129	140	155	120	12,7	22,3
1SV13../D	0,75	80	488	226	263	488	327	463	463	121	129	140	155	120	13,1	22,7
1SV15../D	0,75	80	528	226	263	528	367	503	503	121	129	140	155	120	13,9	23,5

**1SV SERIES, 2 TO 15 STAGES**  
**OPERATING CHARACTERISTICS AT 50 Hz, 2 POLES**

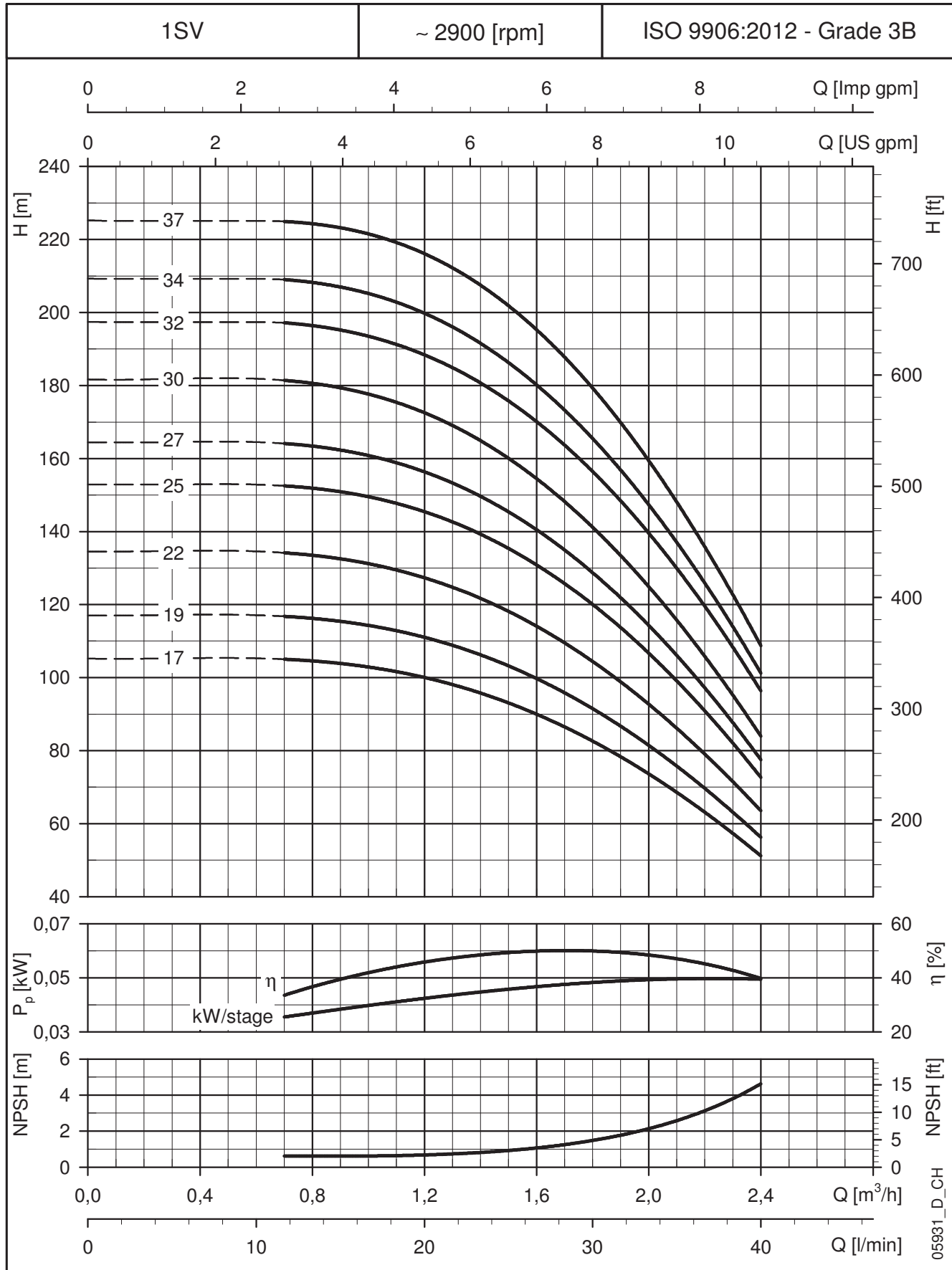


These performances are valid for liquids with density  $\rho = 1.0 \text{ Kg/dm}^3$  and kinematic viscosity  $\nu = 1 \text{ mm}^2/\text{sec}$ .

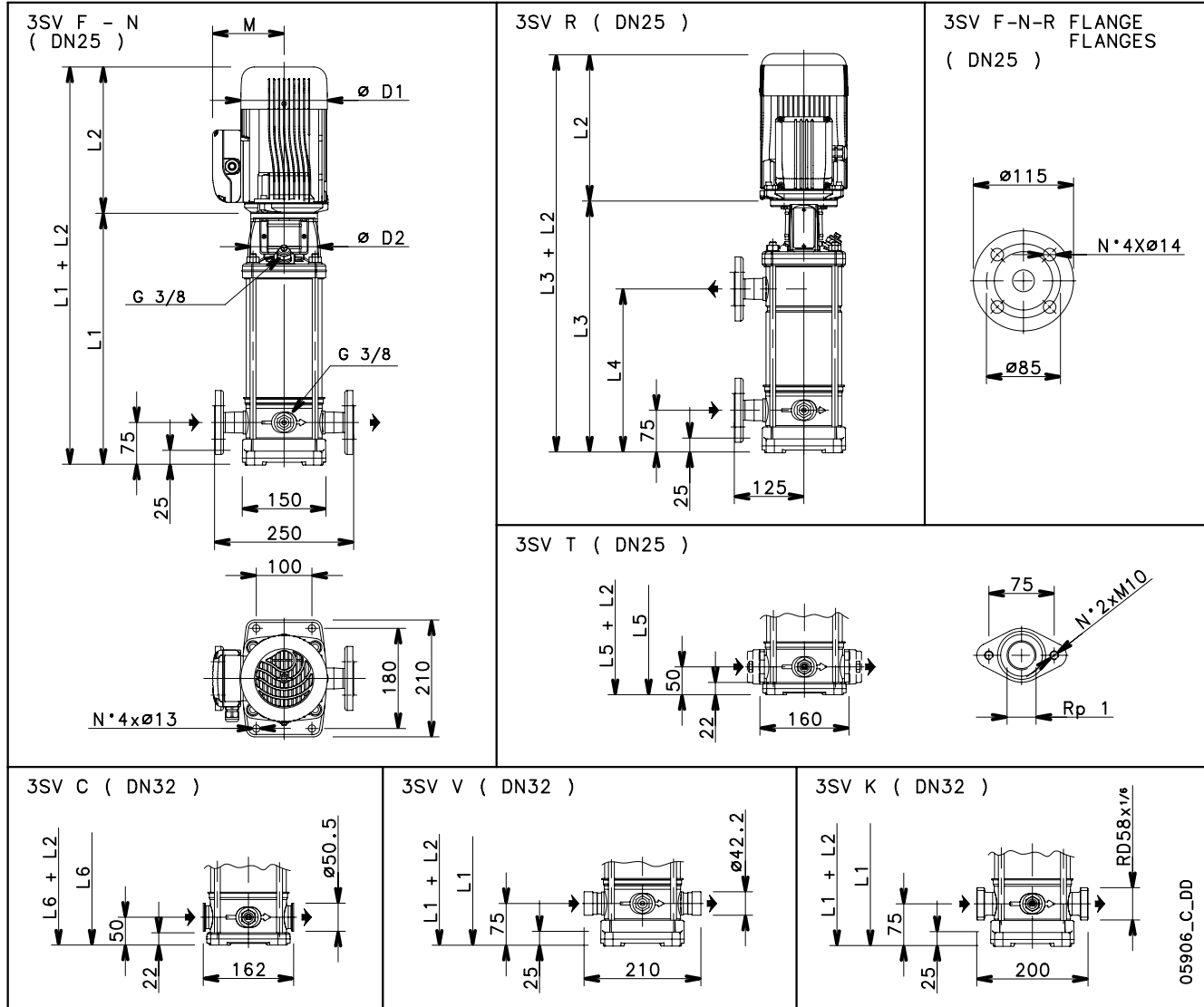
### 1SV SERIES, 17 TO 37 STAGES DIMENSIONS AND WEIGHTS AT 50 Hz, 2 POLES



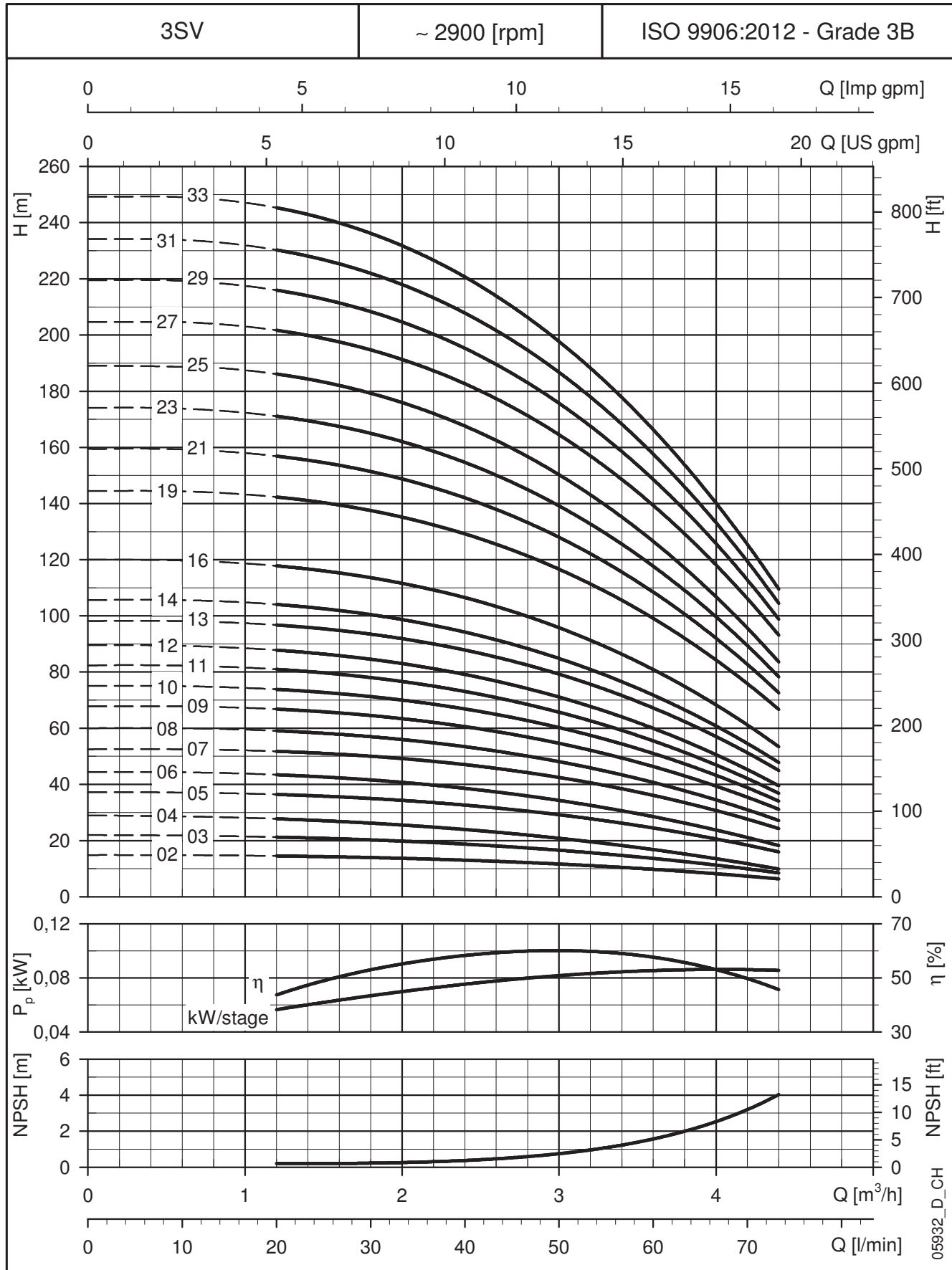
PUMP TYPE	MOTOR		DIMENSIONS (mm)												WEIGHT kg	
	kW	SIZE	L1	L2		L3	L4	L5	L6	M		D1		D2	PUMP	ELECTRIC
1SV17../D	1,1	80	568	263	263	568	407	543	543	137	129	155	155	120	14,7	26,6
1SV19../D	1,1	80	608	263	263	608	447	583	583	137	129	155	155	120	15,5	28
1SV22../D	1,1	80	668	263	263	668	507	643	643	137	129	155	155	120	16,7	28,6
1SV25../D	1,5	90	738	263	263	738	567	713	713	137	129	155	155	140	18,7	32
1SV27../D	1,5	90	778	263	263	778	607	-	753	137	129	155	155	140	19,5	33
1SV30../D	1,5	90	838	263	263	838	667	-	813	137	129	155	155	140	20,7	34
1SV32../D	2,2	90	878	298	298	878	707	-	853	151	134	174	174	140	21,5	37,8
1SV34../D	2,2	90	918	298	298	918	747	-	893	151	134	174	174	140	22,3	38,6
1SV37../D	2,2	90	978	298	298	978	807	-	953	151	134	174	174	140	23,5	39,8

**1SV SERIES, 17 TO 37 STAGES**  
**OPERATING CHARACTERISTICS AT 50 Hz, 2 POLES**

 These performances are valid for liquids with density  $\rho = 1.0 \text{ Kg/dm}^3$  and kinematic viscosity  $\nu = 1 \text{ mm}^2/\text{sec}$ .

### 3SV SERIES DIMENSIONS AND WEIGHTS AT 50 Hz, 2 POLES

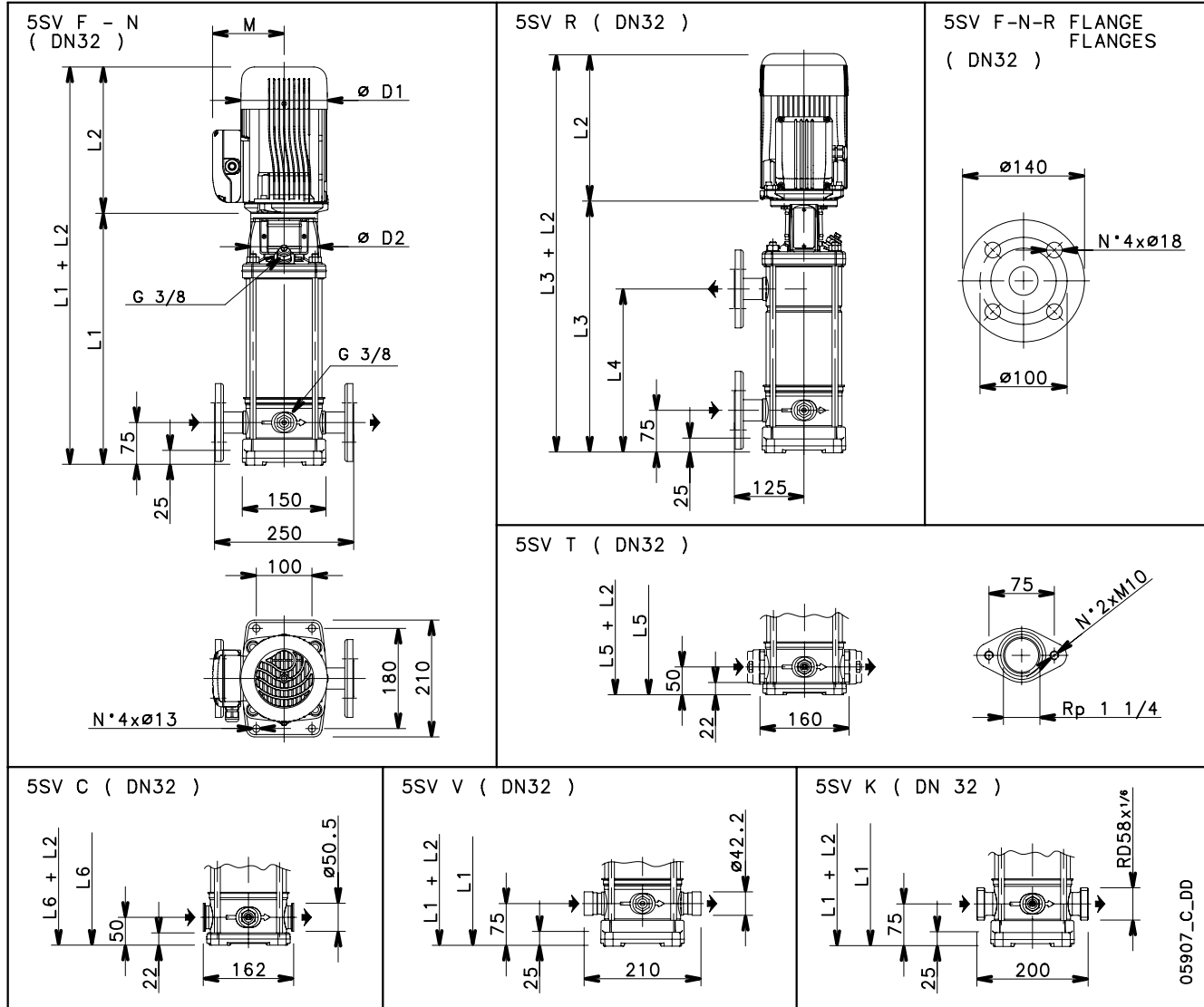


PUMP TYPE	MOTOR		DIMENSIONS (mm)													WEIGHT kg	
	kw	SIZE	L1	L2		L3	L4	L5	L6	M		D1		D2	PUMP	ELECTRIC	
				1 ~	3 ~					1 ~	3 ~	1 ~	3 ~				
3SV02..	0,37	71	278	209	209	-	-	253	253	111	111	120	120	105	8	12,8	
3SV03..	0,37	71	278	209	209	-	-	253	253	111	111	120	120	105	8,4	13,2	
3SV04..	0,37	71	298	209	209	-	-	273	273	111	111	120	120	105	8,8	13,6	
3SV05..	0,55	71	318	231	231	-	-	293	293	121	121	140	140	105	9,2	14	
3SV06..	0,55	71	338	231	231	-	-	313	313	121	121	140	140	105	9,7	16,4	
3SV07../D	0,75	80	368	226	263	368	207	343	343	121	129	140	155	120	10,9	20,5	
3SV08../D	0,75	80	388	226	263	388	227	363	363	121	129	140	155	120	11,3	20,9	
3SV09../D	1,1	80	408	263	263	408	247	383	383	137	129	155	155	120	11,7	23,1	
3SV10../D	1,1	80	428	263	263	428	267	403	403	137	129	155	155	120	12,1	23,5	
3SV11../D	1,1	80	448	263	263	448	287	423	423	137	129	155	155	120	12,5	23,9	
3SV12../D	1,1	80	468	263	263	468	307	443	443	137	129	155	155	120	13,3	24,7	
3SV13../D	1,5	90	498	263	263	498	327	473	473	137	129	155	155	140	14	27	
3SV14../D	1,5	90	518	263	263	518	347	493	493	137	129	155	155	140	14,4	27,5	
3SV16../D	1,5	90	558	263	263	558	387	533	533	137	129	155	155	140	15,2	28,2	
3SV19../D	2,2	90	618	298	298	618	447	593	593	151	134	174	174	140	16,4	34,4	
3SV21../D	2,2	90	658	298	298	658	487	633	633	151	134	174	174	140	17,2	35,2	
3SV23../D	2,2	90	698	298	298	698	527	-	673	151	134	174	174	140	18	36	
3SV25../D	2,2	90	738	298	298	738	567	-	713	151	134	174	174	140	18,9	36,8	
3SV27../D	3	100	788	-	298	788	607	-	763	-	134	-	174	160	20,7	42,6	
3SV29../D	3	100	828	-	298	828	647	-	803	-	134	-	174	160	21,5	43,4	
3SV31../D	3	100	868	-	298	868	687	-	843	-	134	-	174	160	22,3	44,2	
3SV33../D	3	100	908	-	298	908	727	-	883	-	134	-	174	160	23,1	45	

**3SV SERIES  
OPERATING CHARACTERISTICS AT 50 Hz, 2 POLES**


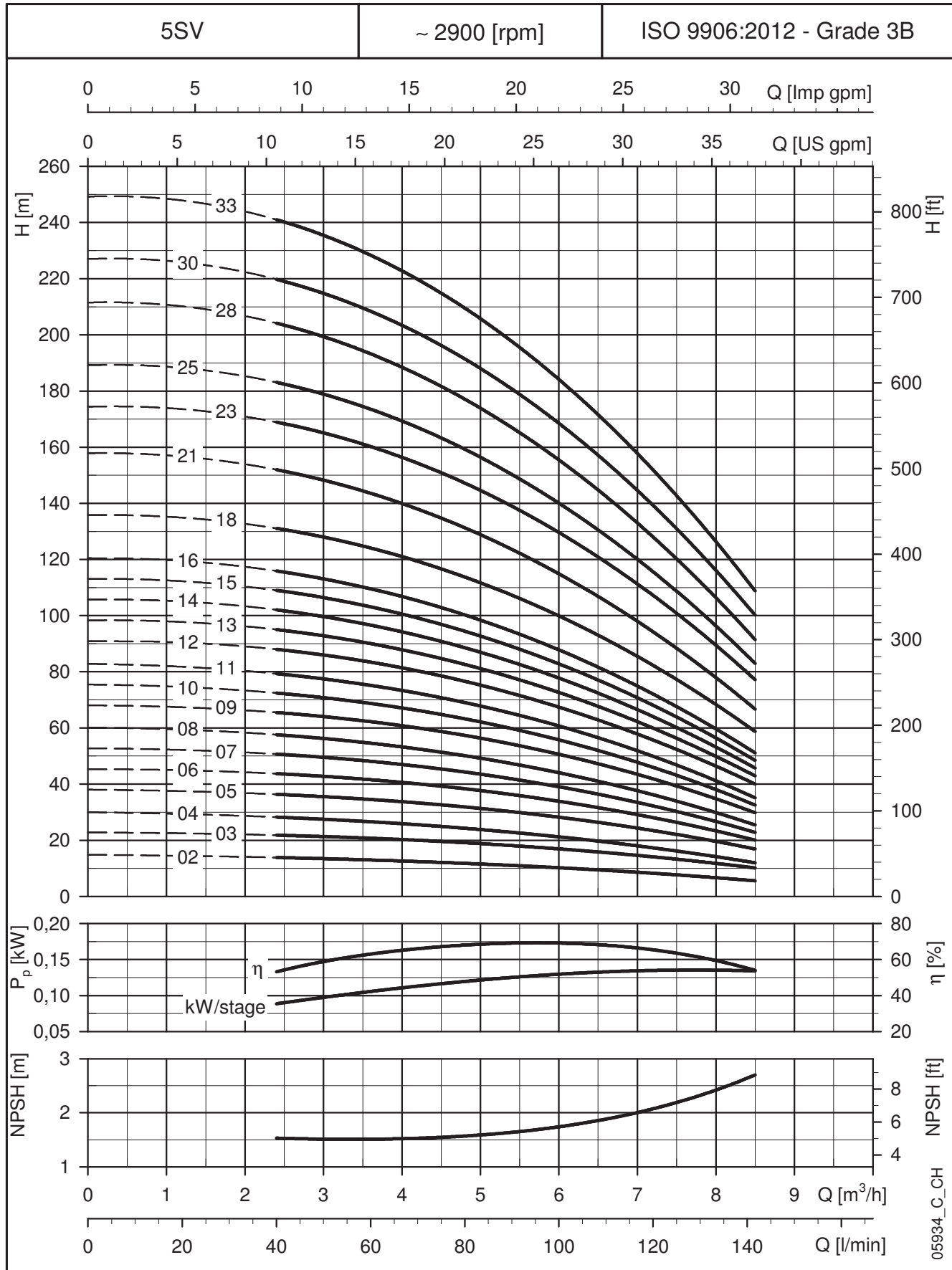
These performances are valid for liquids with density  $\rho = 1.0 \text{ Kg/dm}^3$  and kinematic viscosity  $\nu = 1 \text{ mm}^2/\text{sec}$ .

## 5SV SERIES DIMENSIONS AND WEIGHTS AT 50 Hz, 2 POLES



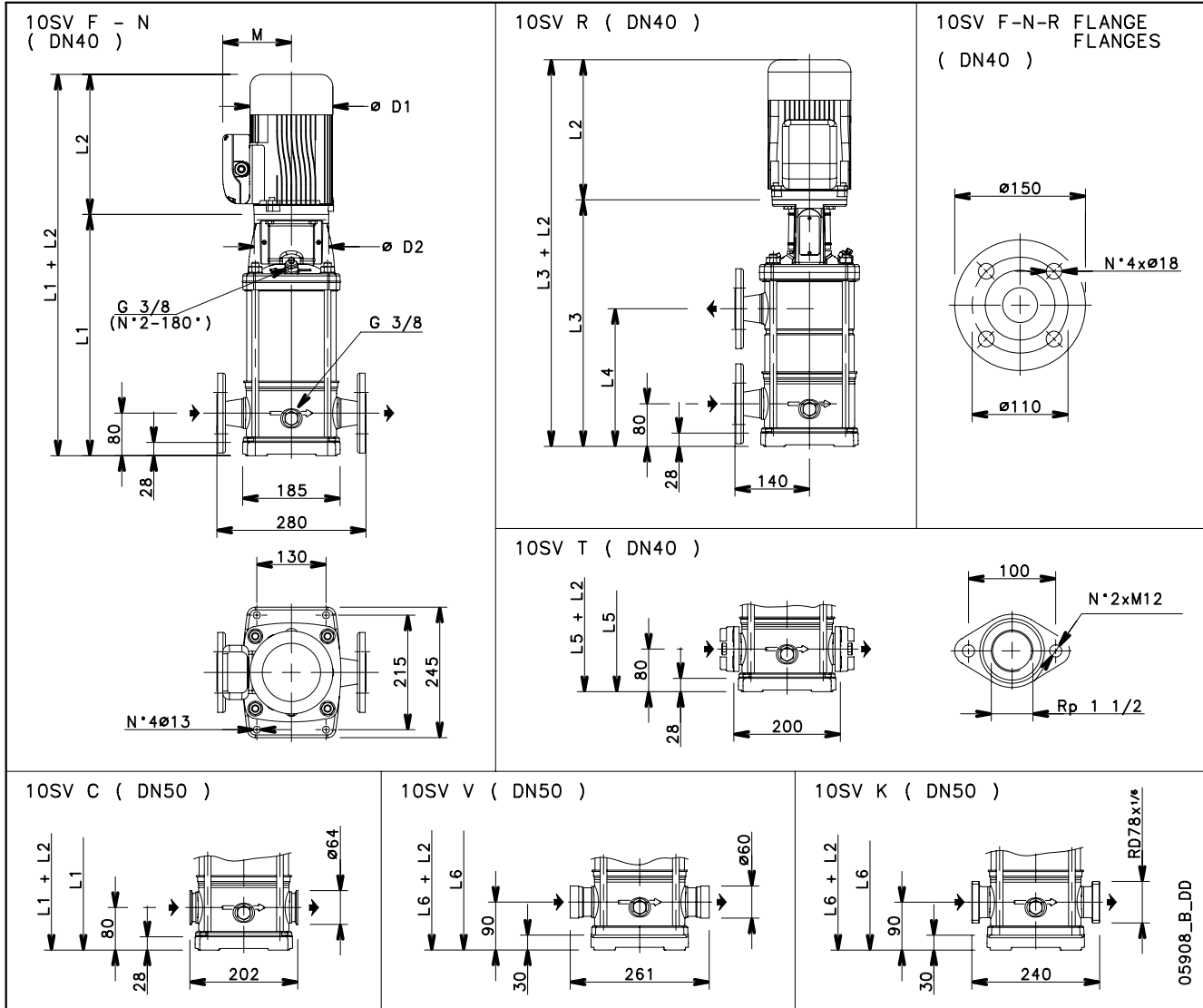
PUMP TYPE	MOTOR		DIMENSIONS (mm)												WEIGHT kg	
	kw	SIZE	L1	L2		L3	L4	L5	L6	M		D1		D2	PUMP	ELECTRIC
5SV02..	0,37	71	268	209	209	-	-	243	243	111	111	120	120	105	8,4	13,2
5SV03..	0,55	71	293	231	231	-	-	268	268	121	121	140	140	105	8,9	15,7
5SV04..	0,55	71	318	231	231	-	-	293	293	121	121	140	140	105	9,4	16,1
5SV05../D	0,75	80	353	226	263	-	-	328	328	121	129	140	155	120	10,5	20,1
5SV06../D	1,1	80	378	263	263	-	-	353	353	137	129	155	155	120	11	22,4
5SV07../D	1,1	80	403	263	263	403	242	378	378	137	129	155	155	120	11,5	22,9
5SV08../D	1,1	80	428	263	263	428	267	403	403	137	129	155	155	120	12,1	23,5
5SV09../D	1,5	90	463	263	263	463	292	438	438	137	129	155	155	140	12,7	26
5SV10../D	1,5	90	488	263	263	488	317	463	463	137	129	155	155	140	13,1	26,5
5SV11../D	1,5	90	513	263	263	513	342	488	488	137	129	155	155	140	13,6	27
5SV12../D	2,2	90	538	298	298	538	367	513	513	151	134	174	174	140	14,1	32,3
5SV13../D	2,2	90	563	298	298	563	392	538	538	151	134	174	174	140	14,6	32,8
5SV14../D	2,2	90	588	298	298	588	417	563	563	151	134	174	174	140	15	33,2
5SV15../D	2,2	90	613	298	298	613	442	588	588	151	134	174	174	140	15,5	33,7
5SV16../D	2,2	90	638	298	298	638	467	613	613	151	134	174	174	140	16	34,2
5SV18../D	3	100	698	-	298	698	517	673	673	-	134	-	174	160	18	39
5SV21../D	3	100	773	-	298	773	592	748	748	-	134	-	174	160	19,4	40,4
5SV23../D	4	112	823	-	319	823	642	-	798	-	154	-	197	160	20,4	47
5SV25../D	4	112	873	-	319	873	692	-	848	-	154	-	197	160	21,3	48
5SV28../D	4	112	948	-	319	948	767	-	923	-	154	-	197	160	23	49,4
5SV30../D	5,5	132	1018	-	375	1018	817	-	993	-	168	-	214	300	28,1	65,7
5SV33../D	5,5	132	1093	-	375	1093	892	-	1068	-	168	-	214	300	29,5	67,1



**5SV SERIES**
**OPERATING CHARACTERISTICS AT 50 Hz, 2 POLES**


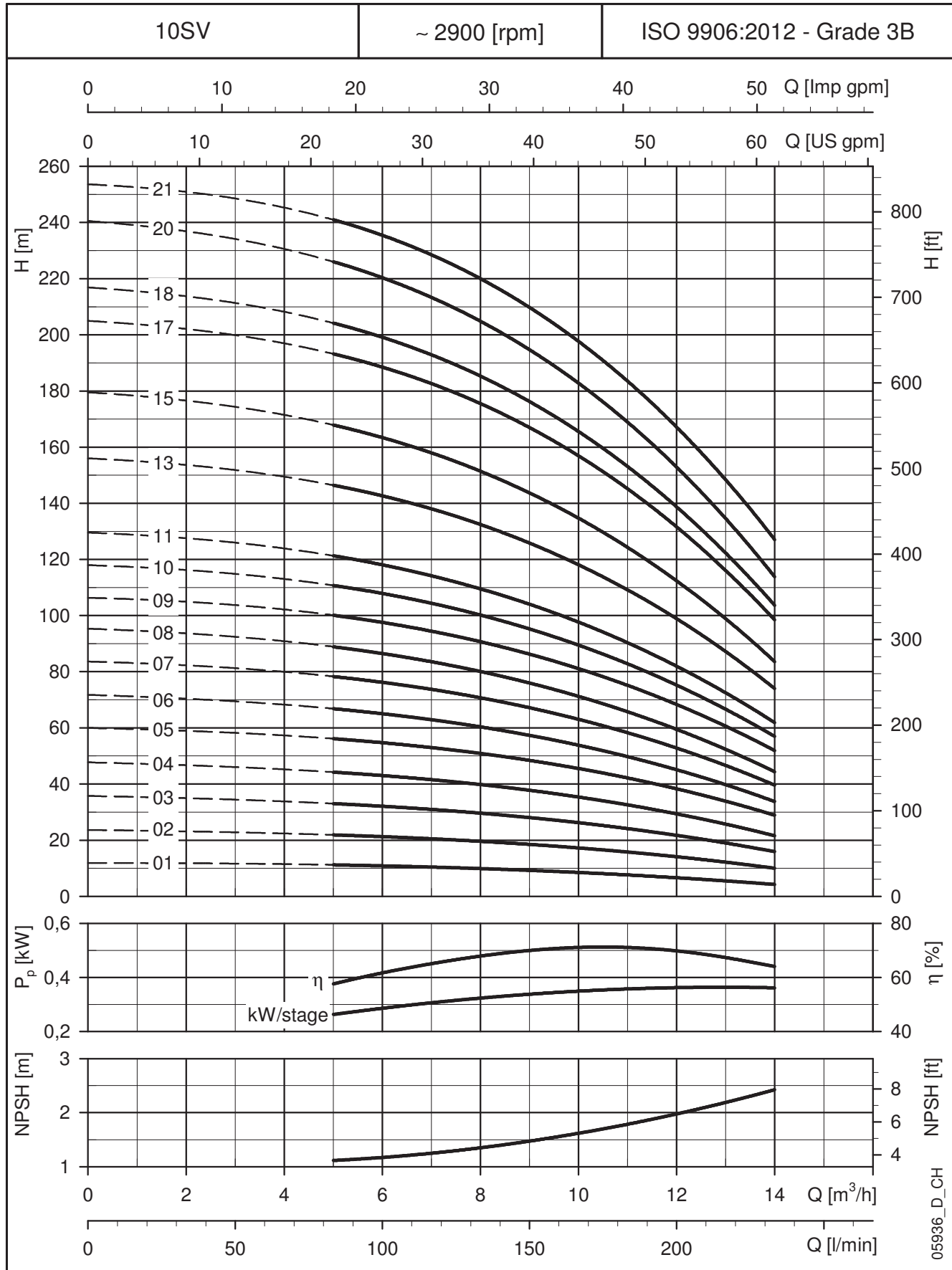
These performances are valid for liquids with density  $\rho = 1.0 \text{ Kg/dm}^3$  and kinematic viscosity  $\nu = 1 \text{ mm}^2/\text{sec}$ .

## 10SV SERIES DIMENSIONS AND WEIGHTS AT 50 Hz, 2 POLES



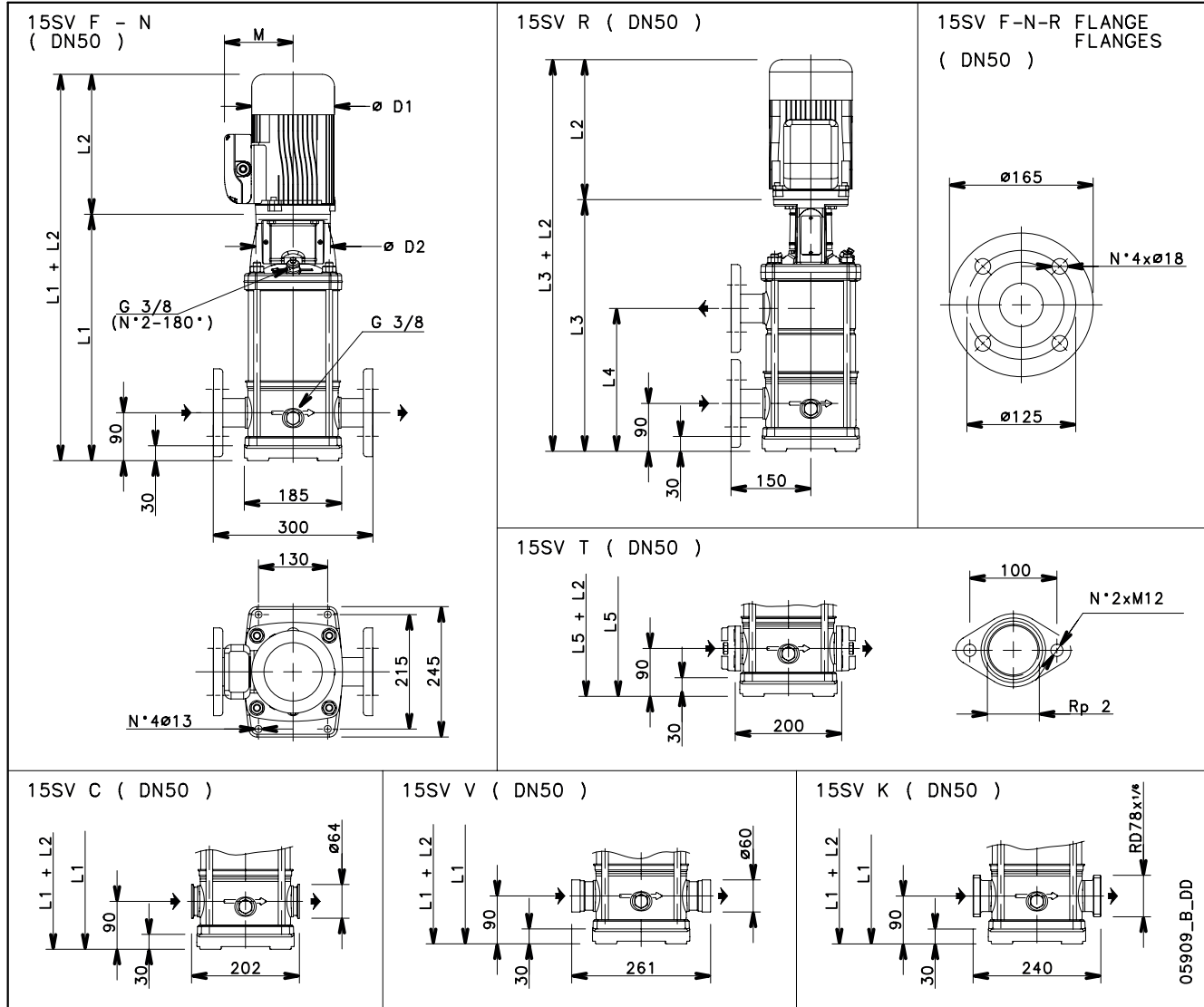
PUMP TYPE	MOTOR		DIMENSIONS (mm)												WEIGHT kg	
	kW	SIZE	L1	L2		L3	L4	L5	L6	M		D1		D2	PUMP	ELECTRIC
10SV01../D	0,75	80	357	226	263	-	-	357	367	121	129	140	155	120	14,2	24
10SV02../D	0,75	80	357	226	263	-	-	357	367	121	129	140	155	120	15,1	24,9
10SV03../D	1,1	80	389	263	263	-	-	389	399	137	129	155	155	120	16,1	27,6
10SV04../D	1,5	90	431	263	263	-	-	431	441	137	129	155	155	140	17,6	31
10SV05../D	2,2	90	463	298	298	463	259	463	473	151	134	174	174	140	18,5	36,7
10SV06../D	2,2	90	495	298	298	495	291	495	505	151	134	174	174	140	19,7	37,9
10SV07../D	3	100	537	-	298	537	323	537	547	-	134	-	174	160	21,5	42,5
10SV08../D	3	100	569	-	298	569	355	569	579	-	134	-	174	160	22,4	43,4
10SV09../D	4	112	601	-	319	601	387	601	611	-	154	-	197	160	23,3	49,7
10SV10../D	4	112	633	-	319	633	419	633	643	-	154	-	197	160	24,3	50,7
10SV11../D	4	112	665	-	319	665	451	665	675	-	154	-	197	160	25,2	52
10SV13../D	5,5	132	796	-	375	796	515	796	806	-	168	-	214	300	33,1	71
10SV15../D	5,5	132	860	-	375	860	579	-	870	-	168	-	214	300	35	73
10SV17../D	7,5	132	924	-	367	924	643	-	934	-	191	-	256	300	36,9	93
10SV18../D	7,5	132	956	-	367	956	675	-	966	-	191	-	256	300	37,8	94
10SV20../D	7,5	132	1020	-	367	1020	739	-	1030	-	191	-	256	300	39,6	96
10SV21../D	11	160	1082	-	428	1082	771	-	1092	-	191	-	256	350	42,2	113

**10SV SERIES**  
**OPERATING CHARACTERISTICS AT 50 Hz, 2 POLES**

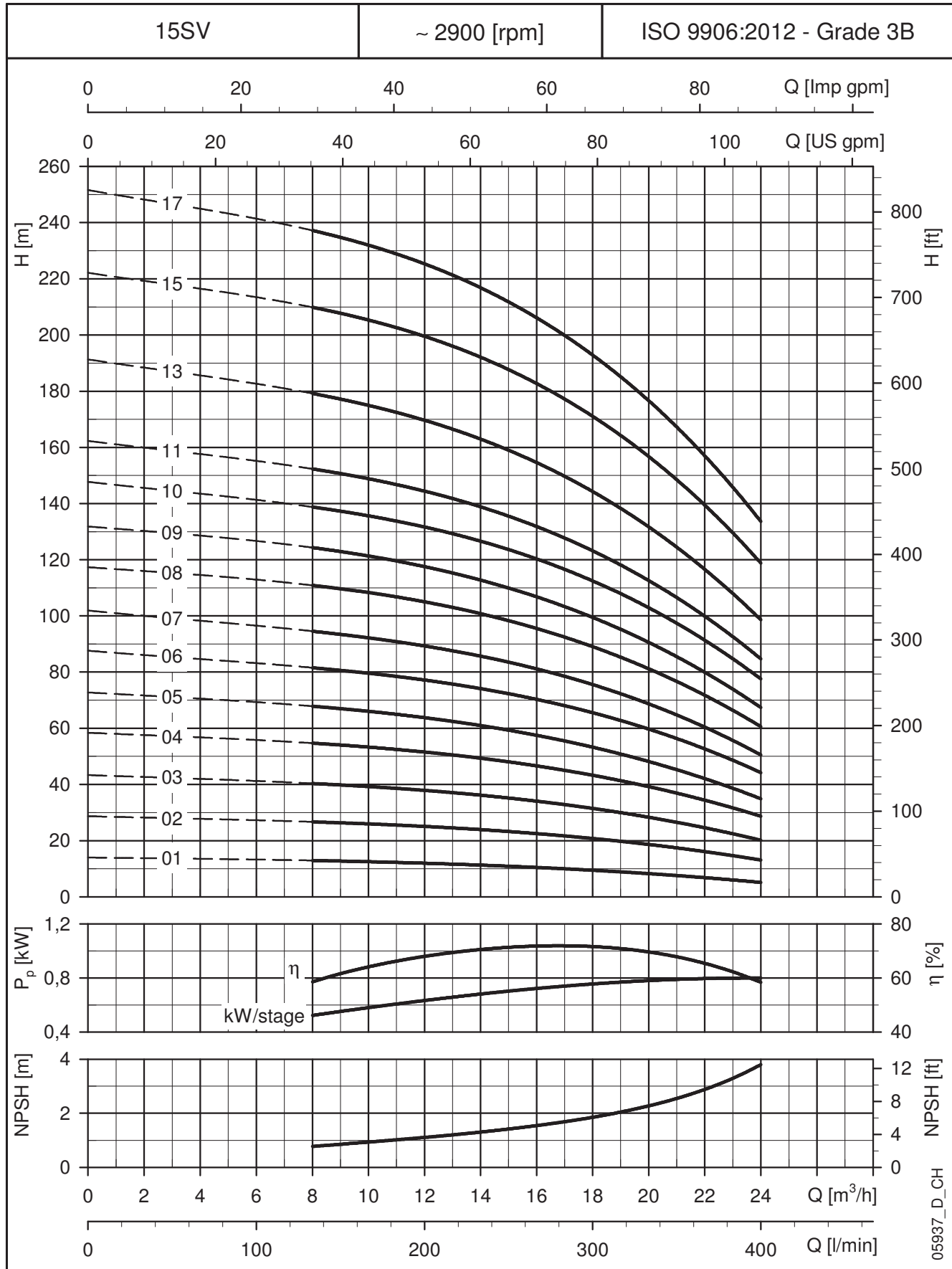


These performances are valid for liquids with density  $\rho = 1.0 \text{ Kg/dm}^3$  and kinematic viscosity  $\nu = 1 \text{ mm}^2/\text{sec}$ .

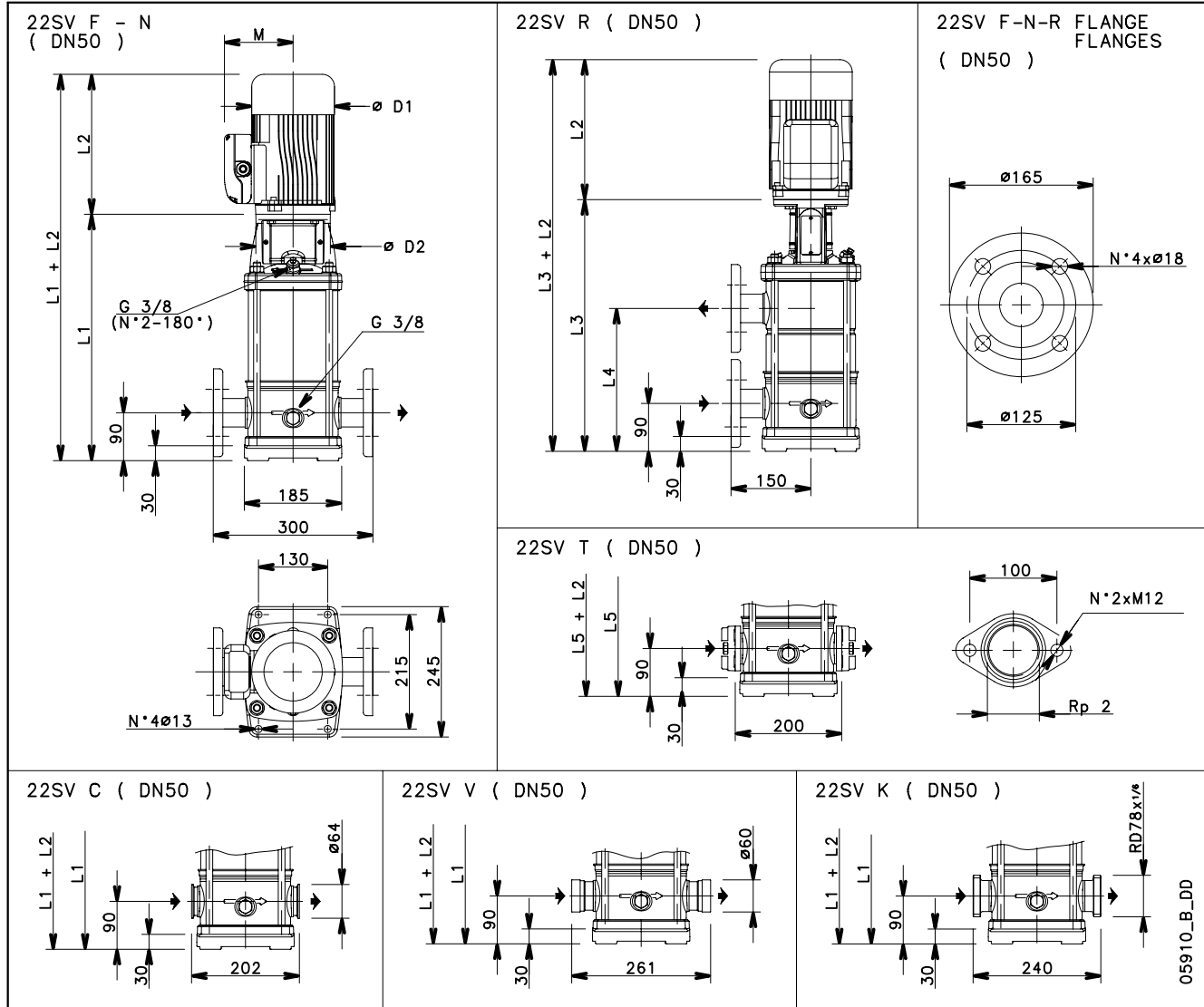
## 15SV SERIES DIMENSIONS AND WEIGHTS AT 50 Hz, 2 POLES



PUMP TYPE	MOTOR		DIMENSIONS (mm)											WEIGHT kg	
	kW	SIZE	L1	L2		L3	L4	L5	M		D1		D2	PUMP	ELECTRIC
15SV01../D	1,1	80	399	263	263	-	-	399	137	129	155	155	120	15	26,8
15SV02../D	2,2	90	409	298	298	-	-	409	151	134	174	174	140	16,8	34,7
15SV03../D	3	100	467	-	298	-	-	467	-	134	-	174	160	19	40
15SV04../D	4	112	515	-	319	515	301	515	-	154	-	197	160	20,3	46,8
15SV05../D	4	112	563	-	319	563	349	563	-	154	-	197	160	21,5	47,9
15SV06../D	5,5	132	678	-	375	678	397	678	-	168	-	214	300	28,9	67
15SV07../D	5,5	132	726	-	375	726	445	726	-	168	-	214	300	30,2	68
15SV08../D	7,5	132	774	-	367	774	493	774	-	191	-	256	300	31,5	88
15SV09../D	7,5	132	822	-	367	822	541	822	-	191	-	256	300	32,8	90
15SV10../D	11	160	900	-	428	900	589	900	-	191	-	256	350	37	108
15SV11../D	11	160	948	-	428	948	637	-	-	191	-	256	350	38,3	109
15SV13../D	11	160	1044	-	428	1044	733	-	-	191	-	256	350	41	112
15SV15../D	15	160	1140	-	494	1140	829	-	-	240	-	313	350	43,7	146
15SV17../D	15	160	1236	-	494	1236	925	-	-	240	-	313	350	46,7	149

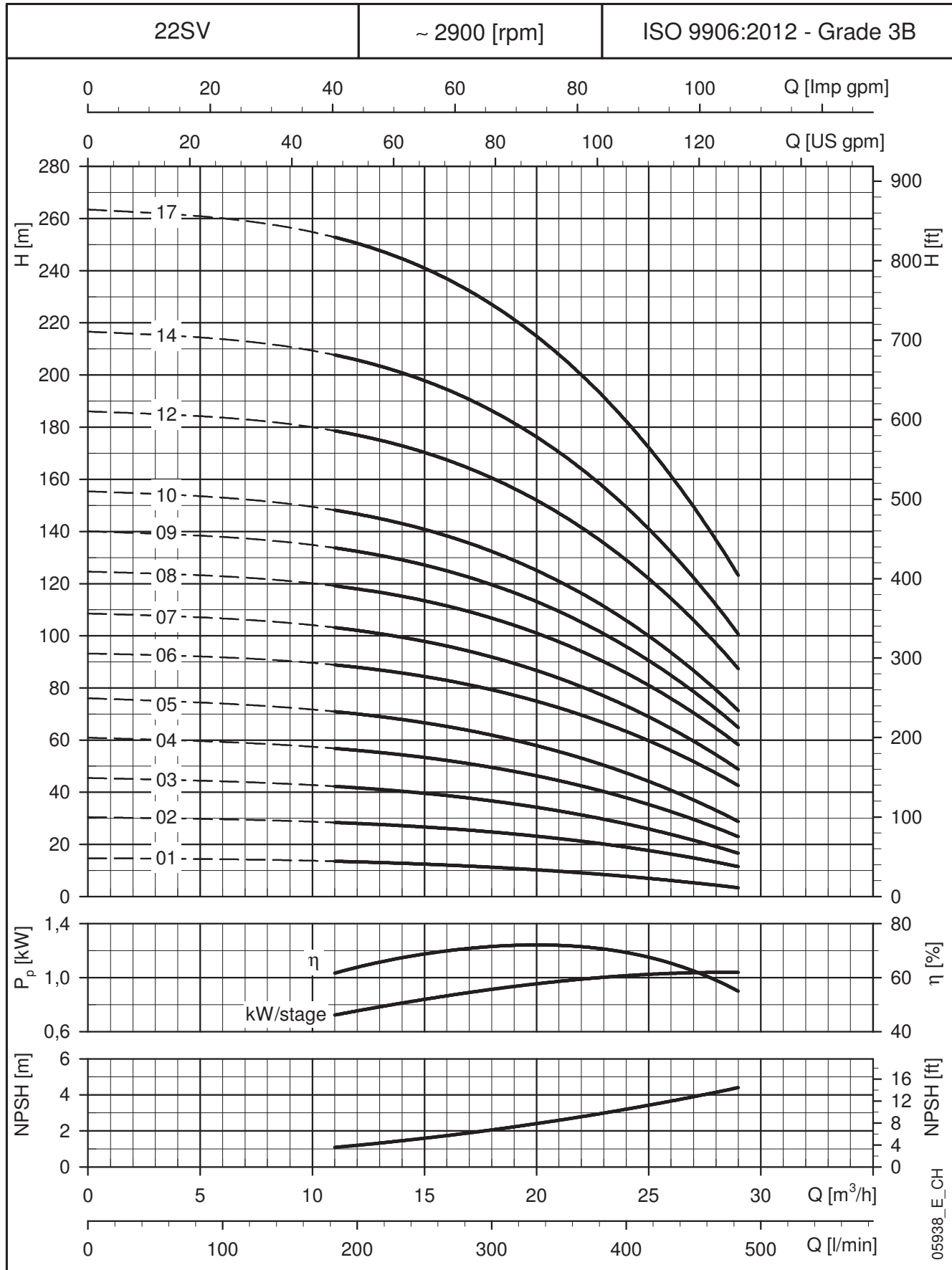
**15SV SERIES  
OPERATING CHARACTERISTICS AT 50 Hz, 2 POLES**

 These performances are valid for liquids with density  $\rho = 1.0 \text{ Kg/dm}^3$  and kinematic viscosity  $\nu = 1 \text{ mm}^2/\text{sec}$ .

## 22SV SERIES DIMENSIONS AND WEIGHTS AT 50 Hz, 2 POLES



PUMP TYPE	MOTOR		DIMENSIONS (mm)											WEIGHT kg	
	kW	SIZE	L1	L2		L3	L4	L5	M		D1		D2	PUMP	ELECTRIC PUMP
22SV01../D	1,1	80	399	263	263	-	-	399	137	129	155	155	120	15,5	26,9
22SV02../D	2,2	90	409	298	298	-	-	409	151	134	174	174	140	17,2	35,4
22SV03../D	3	100	467	-	298	-	-	467	-	134	-	174	160	19,4	40,4
22SV04../D	4	112	515	-	319	515	301	515	-	154	-	197	160	20,7	47,1
22SV05../D	5,5	132	630	-	375	630	349	630	-	168	-	214	300	26,7	65
22SV06../D	7,5	132	678	-	367	678	397	678	-	191	-	256	300	28	84
22SV07../D	7,5	132	726	-	367	726	445	726	-	191	-	256	300	29,3	86
22SV08../D	11	160	804	-	428	804	493	804	-	191	-	256	350	33,1	104
22SV09../D	11	160	852	-	428	852	541	852	-	191	-	256	350	34,4	105
22SV10../D	11	160	900	-	428	900	589	900	-	191	-	256	350	35,8	107
22SV12../D	15	160	996	-	494	996	685	-	-	240	-	313	350	38,4	141
22SV14../D	15	160	1092	-	494	1092	781	-	-	240	-	313	350	41,1	144
22SV17../D	18,5	160	1236	-	494	1236	925	-	-	240	-	313	350	45,1	156

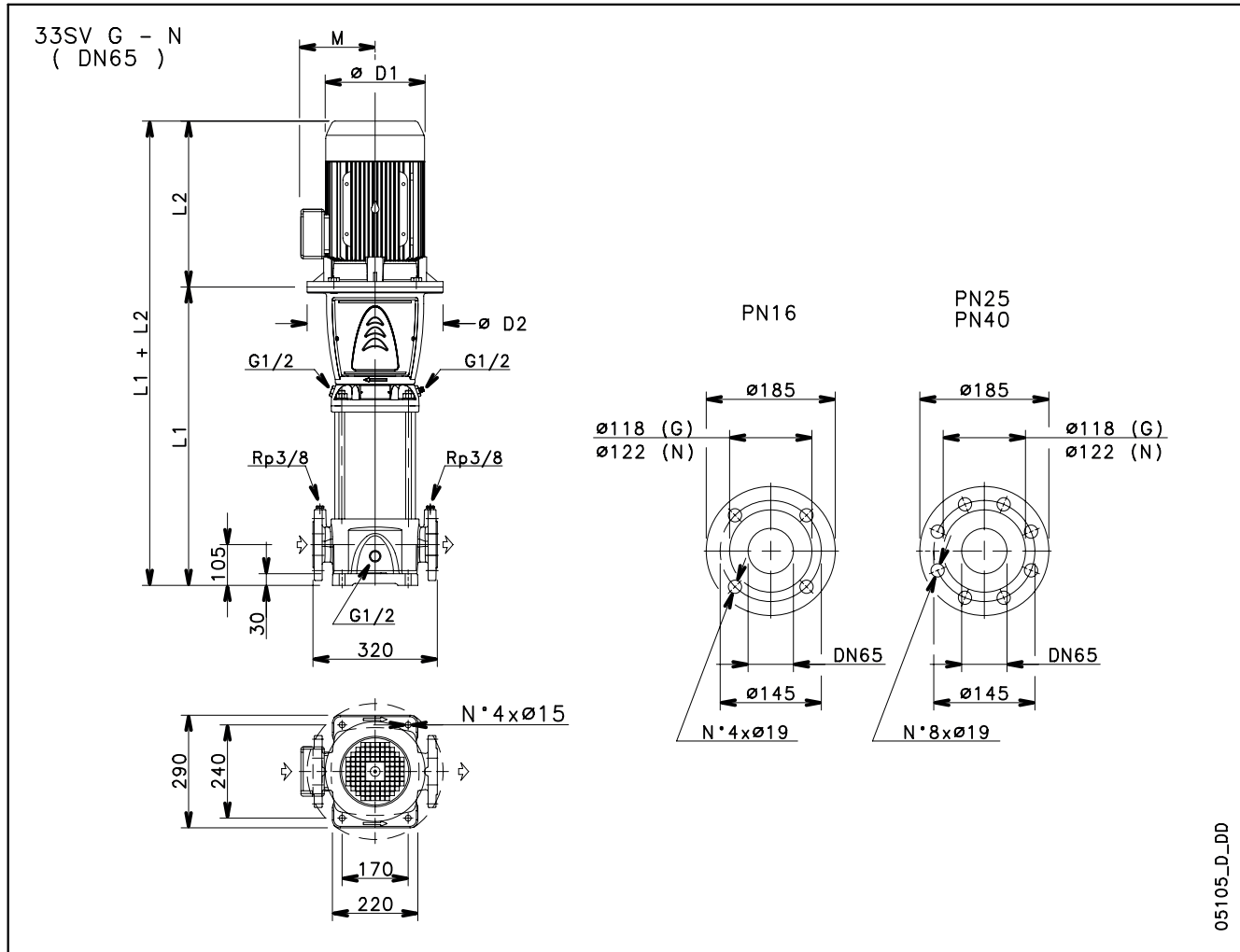
**22SV SERIES**  
**OPERATING CHARACTERISTICS AT 50 Hz, 2 POLES**



These performances are valid for liquids with density  $\rho = 1.0 \text{ Kg/dm}^3$  and kinematic viscosity  $\nu = 1 \text{ mm}^2/\text{sec}$ .



**33SV SERIES**  
**DIMENSIONS AND WEIGHTS AT 50 Hz, 2 POLES**



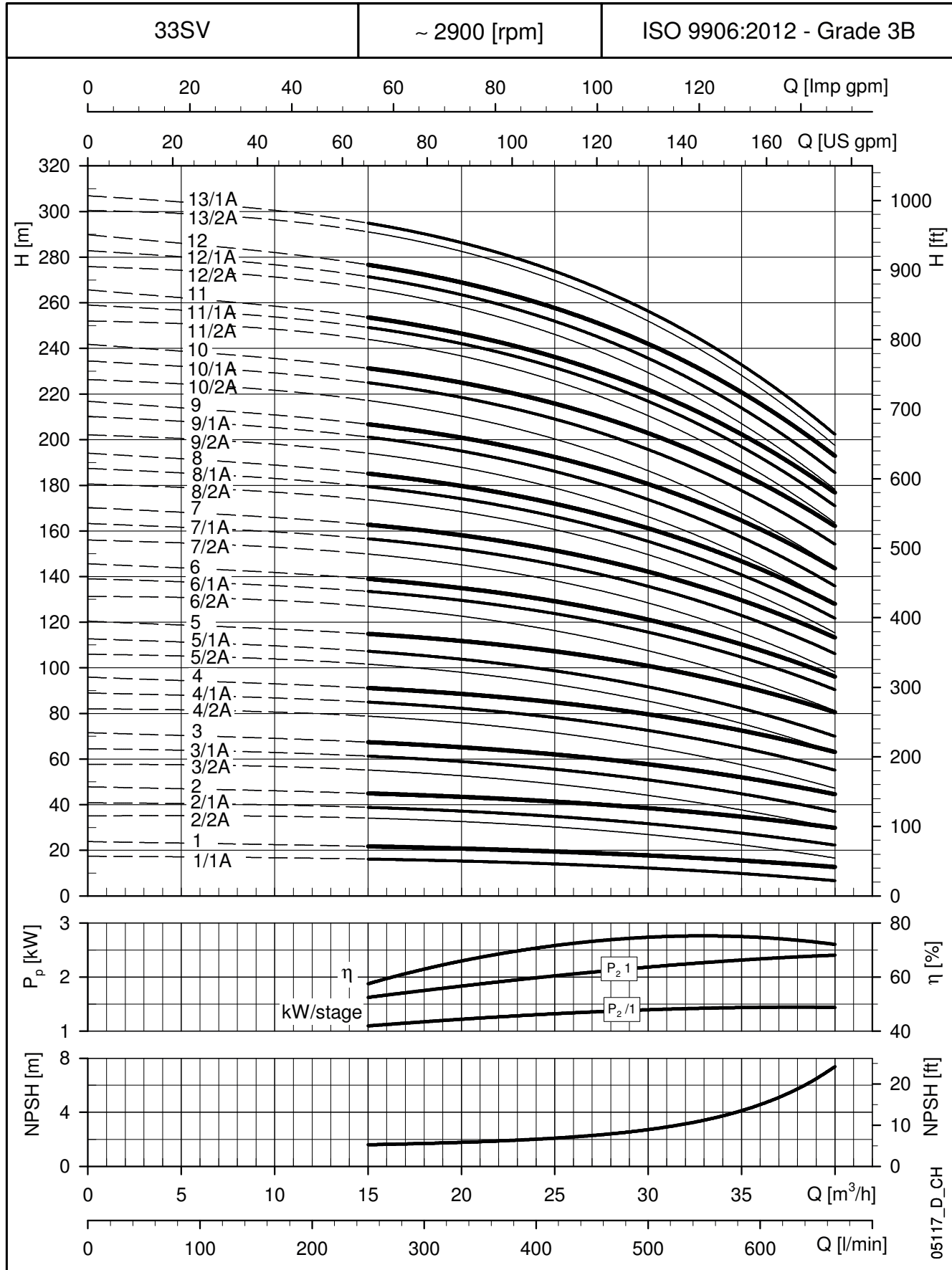
05105\_D\_DD

PUMP TYPE	MOTOR		DIMENSIONS (mm)						WEIGHT kg	
	kW	SIZE	L1	L2	D1	D2	M	PN	PUMP	ELECTRIC PUMP
33SV1/1A../D	2,2	90	489	298	174	164	134	16	52	73
33SV1../D	3	100	489	298	174	164	134	16	52	73
33SV2/2A../D	4	112	564	319	197	164	154	16	56	82,5
33SV2/1A../D	4	112	564	319	197	164	154	16	56	82,5
33SV2../D	5,5	132	584	375	214	300	168	16	61	98,5
33SV3/2A../D	5,5	132	659	375	214	300	168	16	65	103
33SV3/1A../D	7,5	132	659	367	256	300	191	16	65	121
33SV3../D	7,5	132	659	367	256	300	191	16	65	121
33SV4/2A../D	7,5	132	734	367	256	300	191	16	69	125
33SV4/1A../D	11	160	769	428	256	350	191	16	73	143
33SV4../D	11	160	769	428	256	350	191	16	73	143
33SV5/2A../D	11	160	844	428	256	350	191	16	77	147
33SV5/1A../D	11	160	844	428	256	350	191	16	77	147
33SV5../D	15	160	844	494	313	350	240	16	77	179
33SV6/2A../D	15	160	919	494	313	350	240	16	81	183
33SV6/1A../D	15	160	919	494	313	350	240	25	81	183
33SV6../D	15	160	919	494	313	350	240	25	81	183
33SV7/2A../D	15	160	994	494	313	350	240	25	84	186
33SV7/1A../D	18,5	160	994	494	313	350	240	25	84	195
33SV7../D	18,5	160	994	494	313	350	240	25	84	195
33SV8/2A../D	18,5	160	1069	494	313	350	240	25	88	199
33SV8/1A../D	18,5	160	1069	494	313	350	240	25	88	199
33SV8../D	22	180	1069	494	313	350	240	25	89	210
33SV9/2A../D	22	180	1144	494	313	350	240	25	93	214
33SV9/1A../D	22	180	1144	494	313	350	240	25	93	214
33SV9../D	22	180	1144	494	313	350	240	25	93	214
33SV10/2A../D	22	180	1219	494	313	350	240	25	97	218
33SV10/1A../D	30	200	1219	657	402	400	317	25	104	319
33SV10../D	30	200	1219	657	402	400	317	25	104	319
33SV11/2A../D	30	200	1294	657	402	400	317	40	118	333
33SV11/1A../D	30	200	1294	657	402	400	317	40	118	333
33SV11../D	30	200	1294	657	402	400	317	40	118	333
33SV12/2A../D	30	200	1369	657	402	400	317	40	122	337
33SV12/1A../D	30	200	1369	657	402	400	317	40	122	337
33SV12../D	30	200	1369	657	402	400	317	40	122	337
33SV13/2A../D	30	200	1444	657	402	400	317	40	127	342
33SV13/1A../D	30	200	1444	657	402	400	317	40	127	342

33sv-2p50-en\_d\_td

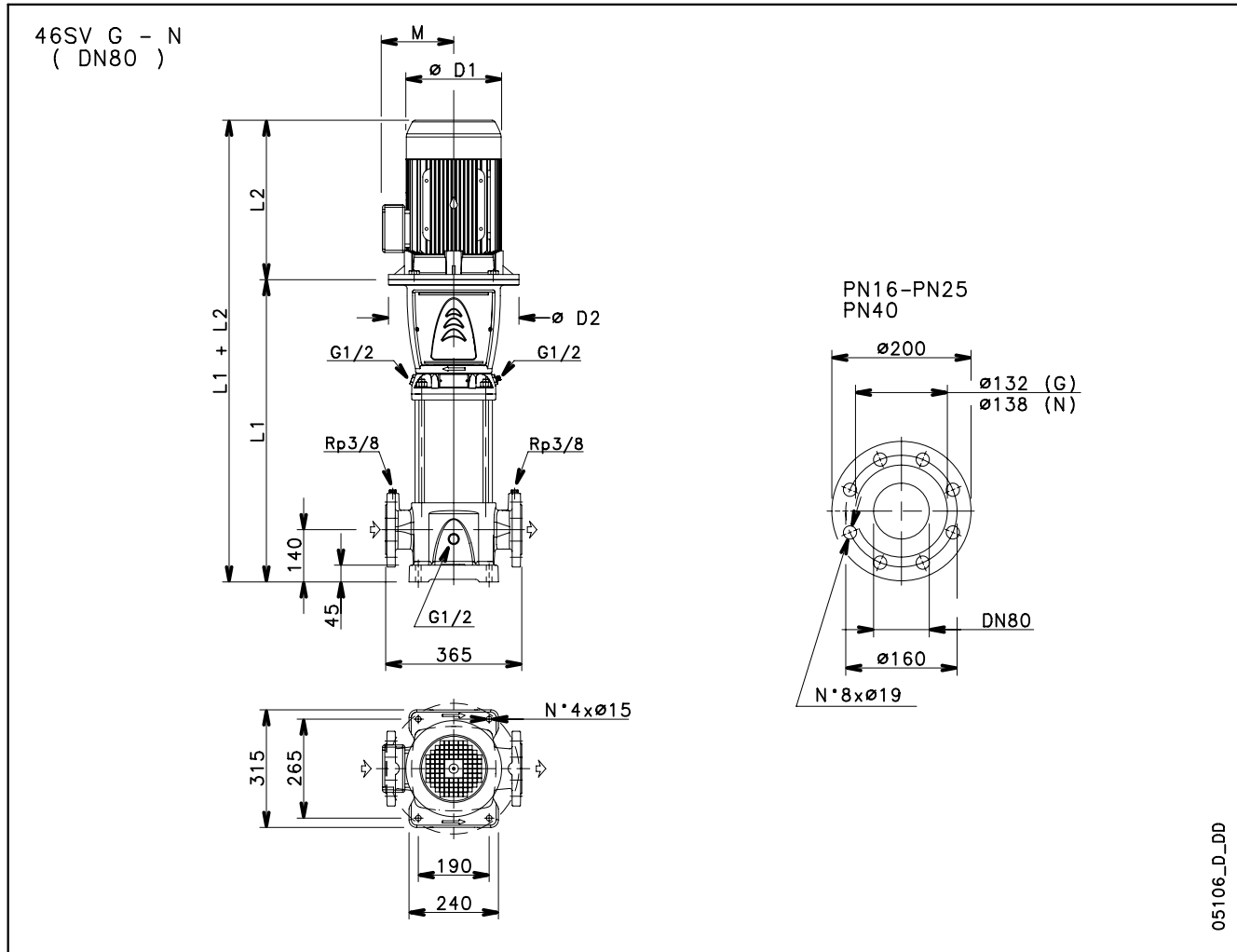
### 33SV SERIES

### OPERATING CHARACTERISTICS AT 50 Hz, 2 POLES



These performances are valid for liquids with density  $\rho = 1.0 \text{ Kg/dm}^3$  and kinematic viscosity  $\nu = 1 \text{ mm}^2/\text{sec}$ .

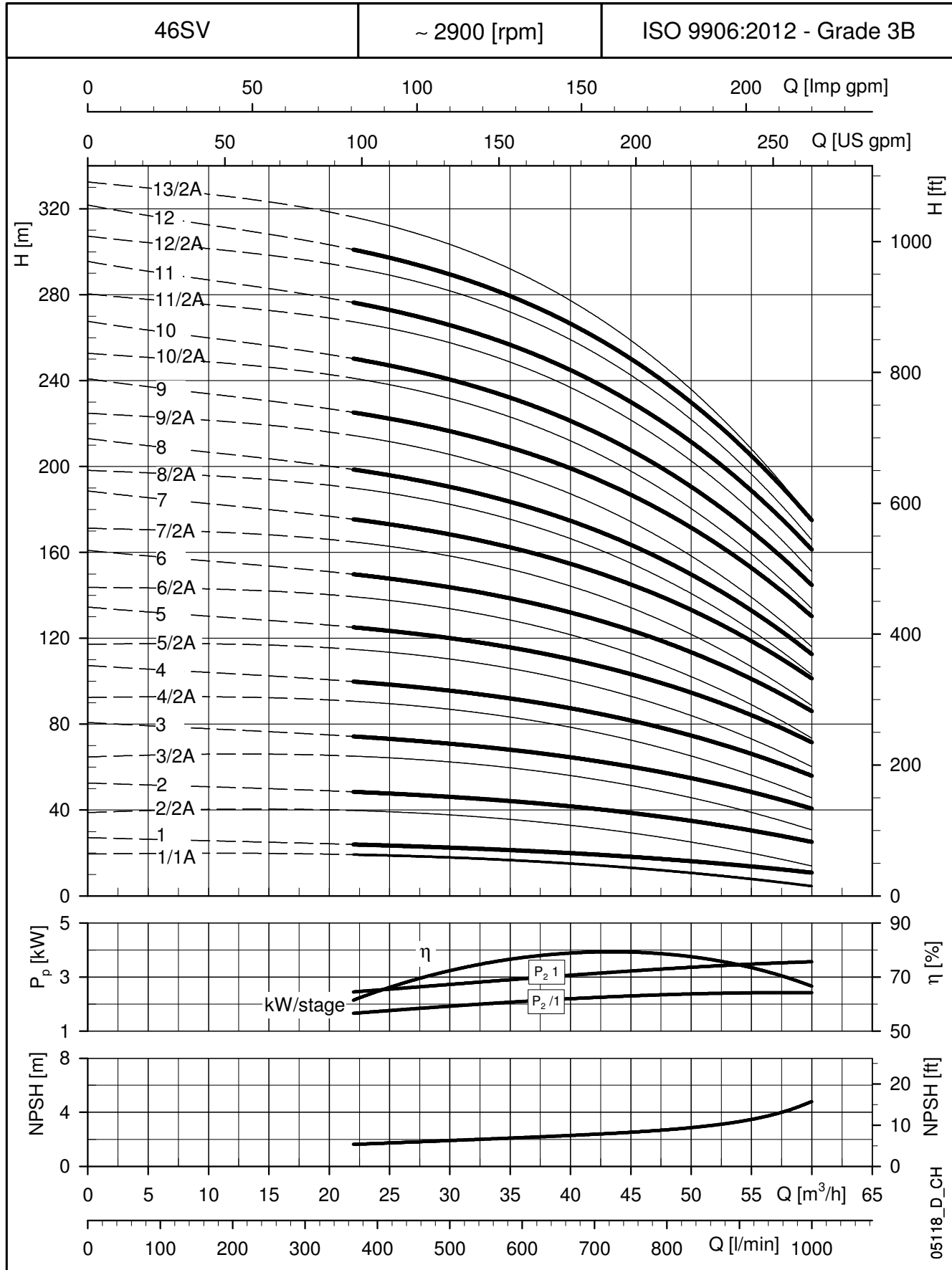
### 46SV SERIES DIMENSIONS AND WEIGHTS AT 50 Hz, 2 POLES



PUMP TYPE	MOTOR		DIMENSIONS (mm)							WEIGHT kg	
	kW	SIZE	L1	L2	D1	D2	M	PN	PUMP	ELECTRIC PUMP	
46SV1/1A../D	3	100	529	298	174	164	134	16	58	79	
46SV1../D	4	112	529	319	197	164	154	16	58	84,5	
46SV2/2A../D	5,5	132	624	375	214	300	168	16	66	104	
46SV2../D	7,5	132	624	367	256	300	191	16	66	122	
46SV3/2A../D	11	160	734	428	256	350	191	16	74	144	
46SV3../D	11	160	734	428	256	350	191	16	74	144	
46SV4/2A../D	15	160	809	494	313	350	240	16	78	180	
46SV4../D	15	160	809	494	313	350	240	16	78	180	
46SV5/2A../D	18,5	160	884	494	313	350	240	16	82	193	
46SV5../D	18,5	160	884	494	313	350	240	16	82	193	
46SV6/2A../D	22	180	959	494	313	350	240	25	87	208	
46SV6../D	22	180	959	494	313	350	240	25	87	208	
46SV7/2A../D	30	200	1034	657	402	400	317	25	97	312	
46SV7../D	30	200	1034	657	402	400	317	25	97	312	
46SV8/2A../D	30	200	1109	657	402	400	317	25	101	316	
46SV8../D	30	200	1109	657	402	400	317	25	101	316	
46SV9/2A../D	30	200	1184	657	402	400	317	25	105	320	
46SV9../D	37	200	1184	657	402	400	317	25	105	335	
46SV10/2A../D	37	200	1259	657	402	400	317	40	114	344	
46SV10../D	37	200	1259	657	402	400	317	40	114	344	
46SV11/2A../D	45	225	1334	746	455	450	384	40	126	482	
46SV11../D	45	225	1334	746	455	450	384	40	126	482	
46SV12/2A../D	45	225	1409	746	455	450	384	40	131	487	
46SV12../D	45	225	1409	746	455	450	384	40	131	487	
46SV13/2A../D	45	225	1484	746	455	450	384	40	135	491	

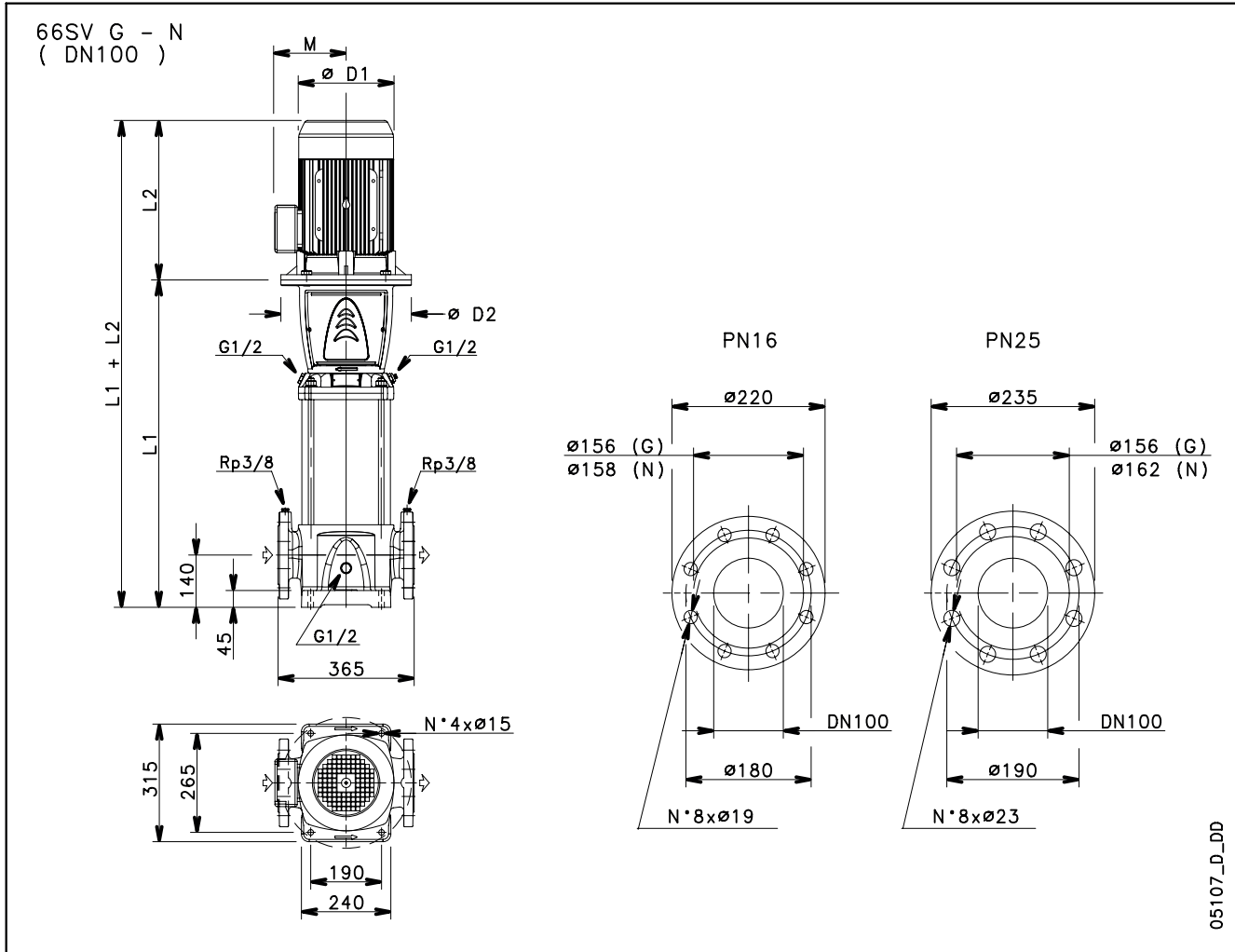
**46SV SERIES**

**OPERATING CHARACTERISTICS AT 50 Hz, 2 POLES**



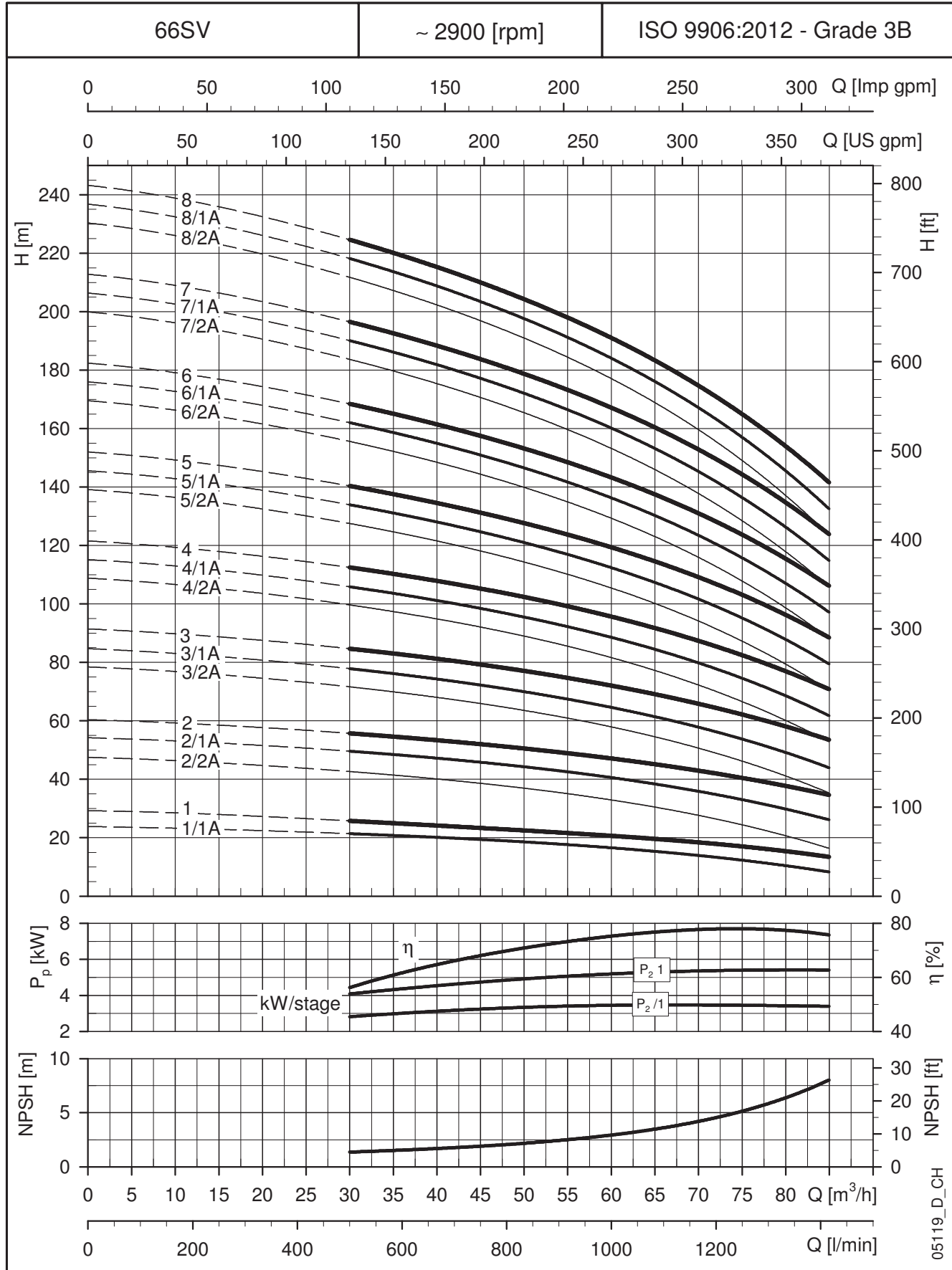
These performances are valid for liquids with density  $\rho = 1.0 \text{ Kg/dm}^3$  and kinematic viscosity  $\nu = 1 \text{ mm}^2/\text{sec}$ .

## 66SV SERIES DIMENSIONS AND WEIGHTS AT 50 Hz, 2 POLES

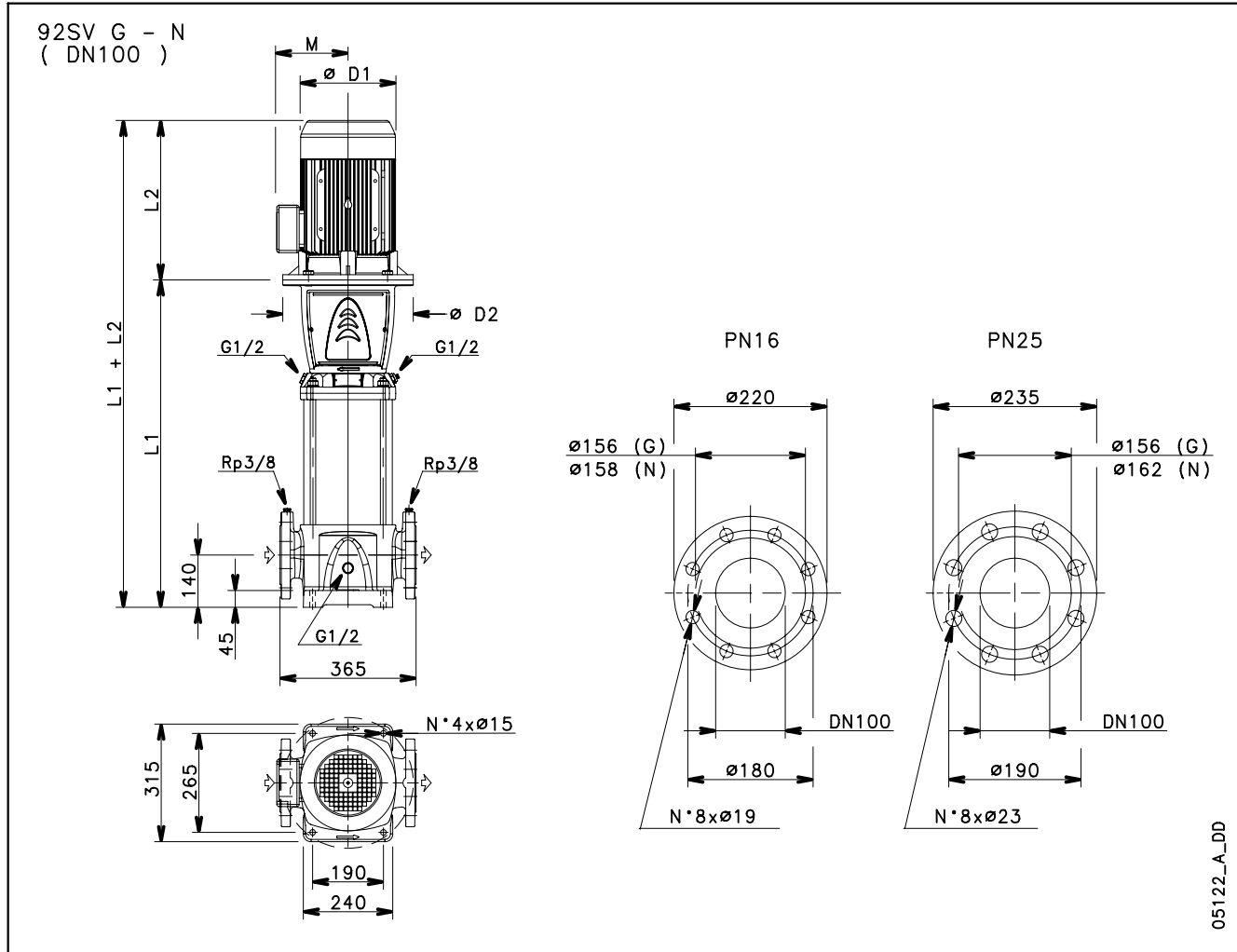


PUMP TYPE	MOTOR		DIMENSIONS (mm)							WEIGHT kg	
	kW	SIZE	L1	L2	D1	D2	M	PN	PUMP	ELECTRIC PUMP	
66SV1/1A../D	4	112	554	319	197	164	154	16	66	92,5	
66SV1../D	5,5	132	574	375	214	300	168	16	72	110	
66SV2/2A../D	7,5	132	664	367	256	300	191	16	77	133	
66SV2/1A../D	11	160	699	428	256	350	191	16	81	151	
66SV2../D	11	160	699	428	256	350	191	16	81	151	
66SV3/2A../D	15	160	789	494	313	350	240	16	86	188	
66SV3/1A../D	15	160	789	494	313	350	240	16	86	188	
66SV3../D	18,5	160	789	494	313	350	240	16	86	197	
66SV4/2A../D	18,5	160	879	494	313	350	240	16	92	203	
66SV4/1A../D	22	180	879	494	313	350	240	16	93	214	
66SV4../D	22	180	879	494	313	350	240	16	93	214	
66SV5/2A../D	30	200	969	657	402	400	317	16	105	320	
66SV5/1A../D	30	200	969	657	402	400	317	16	105	320	
66SV5../D	30	200	969	657	402	400	317	16	105	320	
66SV6/2A../D	30	200	1059	657	402	400	317	25	113	328	
66SV6/1A../D	30	200	1059	657	402	400	317	25	113	328	
66SV6../D	37	200	1059	657	402	400	317	25	113	343	
66SV7/2A../D	37	200	1149	657	402	400	317	25	118	348	
66SV7/1A../D	37	200	1149	657	402	400	317	25	118	348	

PUMP TYPE	MOTOR		DIMENSIONS (mm)							WEIGHT kg	
	kW	SIZE	L1	L2	D1	D2	M	PN	PUMP	ELECTRIC PUMP	
66SV7../D	45	225	1149	746	455	450	384	25	122	478	
66SV8/2A../D	45	225	1239	746	455	450	384	25	127	483	
66SV8/1A../D	45	225	1239	746	455	450	384	25	127	483	
66SV8../D	45	225	1239	746	455	450	384	25	127	483	

**66SV SERIES**
**OPERATING CHARACTERISTICS AT 50 Hz, 2 POLES**

 These performances are valid for liquids with density  $\rho = 1.0 \text{ Kg/dm}^3$  and kinematic viscosity  $\nu = 1 \text{ mm}^2/\text{sec}$ .

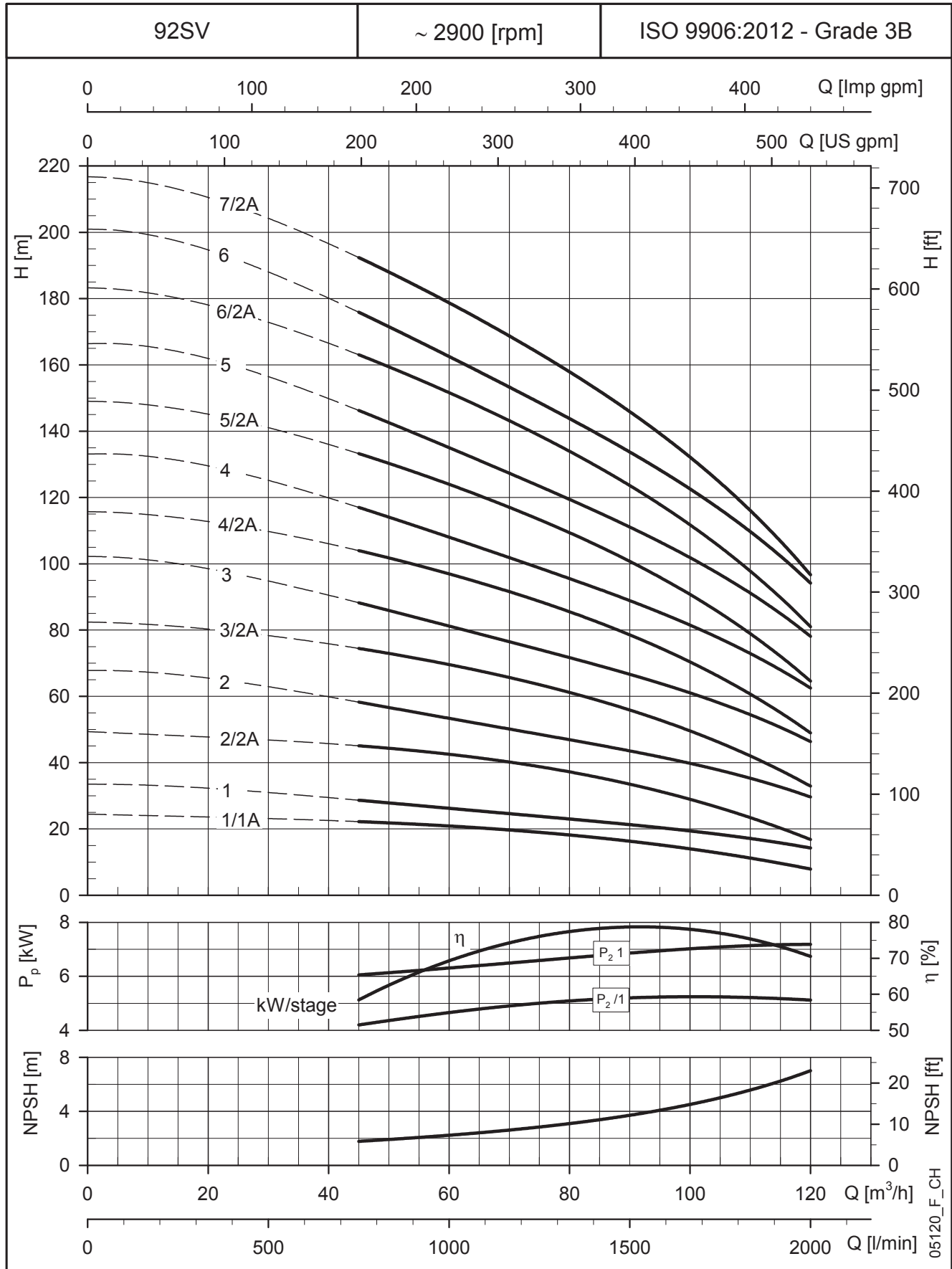
## 92SV SERIES DIMENSIONS AND WEIGHTS AT 50 Hz, 2 POLES



PUMP TYPE	MOTOR		DIMENSIONS (mm)						WEIGHT kg	
	kW	SIZE	L1	L2	D1	D2	M	PN	PUMP	ELECTRIC PUMP
92SV1/1A../D	5,5	132	574	375	214	300	168	16	71	109
92SV1../D	7,5	132	574	367	256	300	191	16	71	127
92SV2/2A../D	11	160	699	428	256	350	191	16	80	150
92SV2../D	15	160	699	494	313	350	240	16	80	182
92SV3/2A../D	18,5	160	789	494	313	350	240	16	86	197
92SV3../D	22	180	789	494	313	350	240	16	87	208
92SV4/2A../D	30	200	879	657	402	400	317	16	99	314
92SV4../D	30	200	879	657	402	400	317	16	99	314
92SV5/2A../D	37	200	969	657	402	400	317	25	107	337
92SV5../D	37	200	969	657	402	400	317	25	107	337
92SV6/2A../D	45	225	1059	746	455	450	384	25	116	472
92SV6../D	45	225	1059	746	455	450	384	25	116	472
92SV7/2A../D	45	225	1149	746	455	450	384	25	121	477

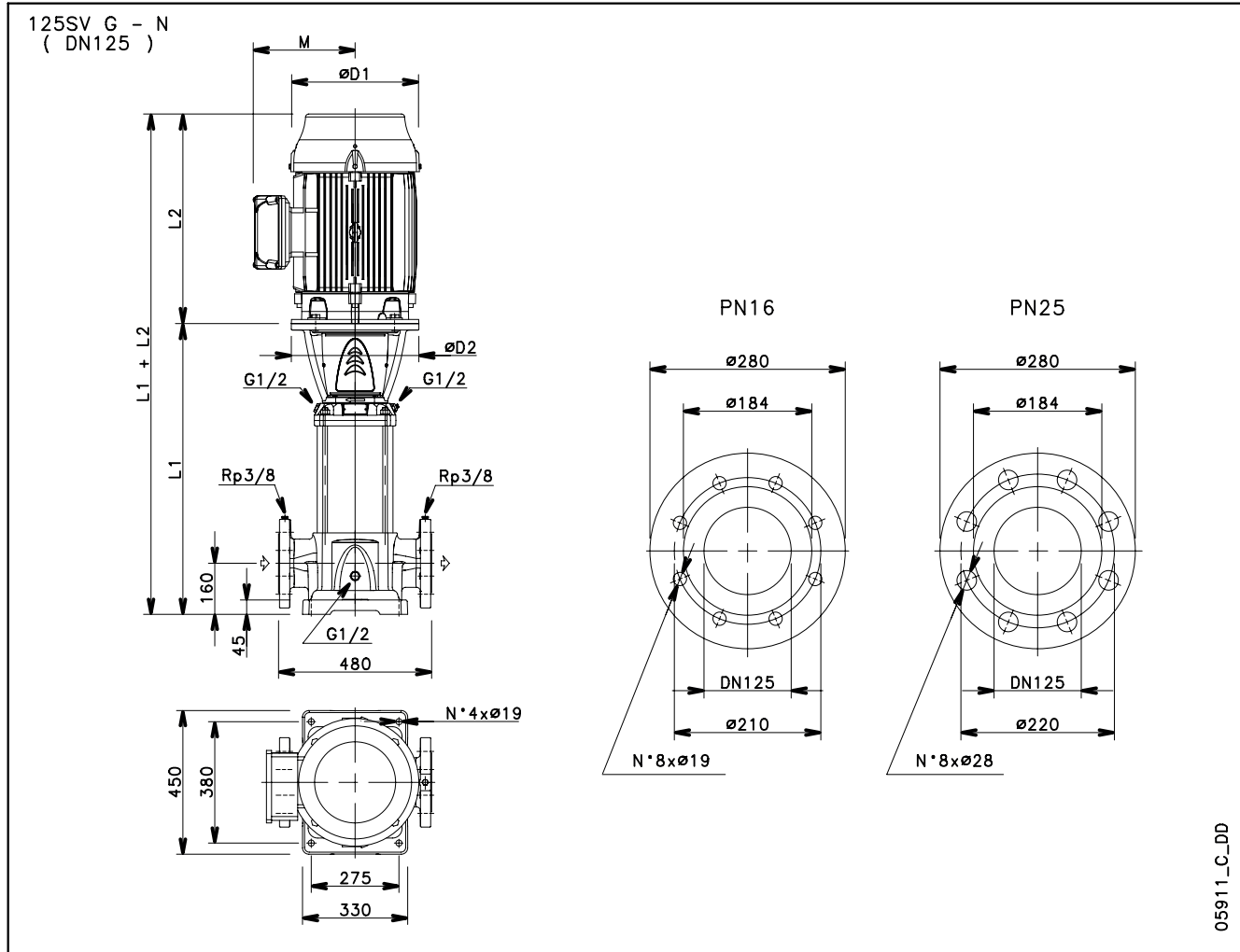


**92SV SERIES**  
**OPERATING CHARACTERISTICS AT 50 Hz, 2 POLES**



These performances are valid for liquids with density  $\rho = 1.0 \text{ Kg/dm}^3$  and kinematic viscosity  $\nu = 1 \text{ mm}^2/\text{sec}$ .

## 125SV SERIES DIMENSIONS AND WEIGHTS AT 50 Hz, 2 POLES

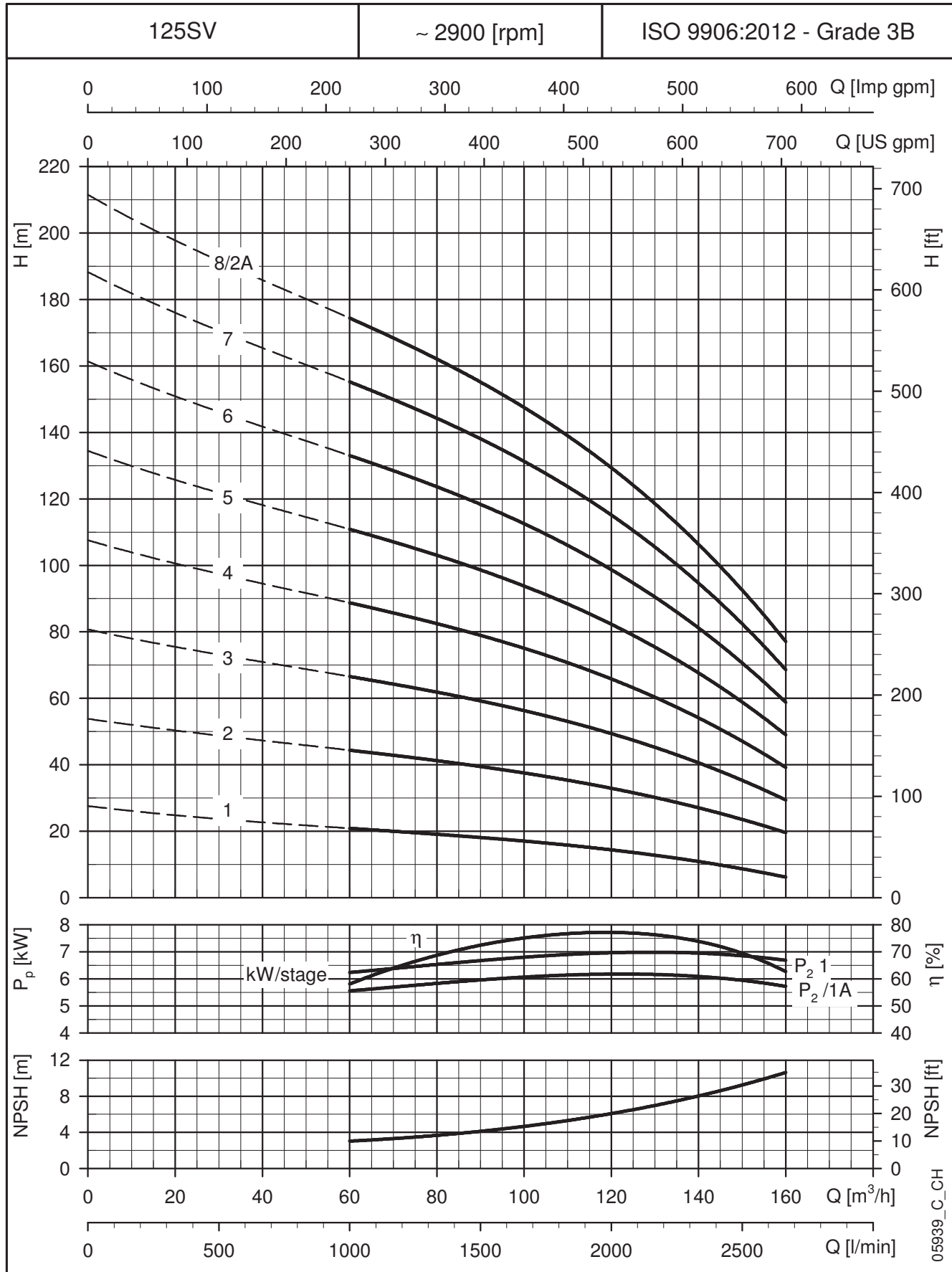


05911\_C\_DD

PUMP TYPE	MOTOR		DIMENSIONS (mm)						WEIGHT kg	
	kW	SIZE	L1	L2	D1	D2	M	PN	PUMP	ELECTRIC PUMP
125SV1../D	7,5	132	693	367	256	300	191	16	116	172
125SV2../D	15	160	878	494	313	350	240	16	131	233
125SV3../D	22	180	1028	494	313	350	240	16	143	265
125SV4../D	30	200	1178	657	402	400	317	16	161	376
125SV5../D	37	200	1328	657	402	400	317	16	172	402
125SV6../D	45	225	1478	746	455	450	384	16	187	543
125SV7../D	55	250	1658	825	486	550	402	25	216	666
125SV8/2A../D	55	250	1808	825	486	550	402	25	229	679

125sv-2p50-en\_c\_td

**125SV SERIES**  
**OPERATING CHARACTERISTICS AT 50 Hz, 2 POLES**



These performances are valid for liquids with density  $\rho = 1.0 \text{ Kg/dm}^3$  and kinematic viscosity  $\nu = 1 \text{ mm}^2/\text{sec}$ .



**SENSORS**

Protection sensor against dry running ..... **56**

i-ALERT™ device ..... **58**

**ACCESSORIES**

Dimensions of counterflanges ..... **60**

Dimensions of Victaulic®, Clamp couplings ..... **61**

## PROTECTION SENSOR AGAINST DRY RUNNING



Sensor for detecting the presence of water based on the optoelectronic principle, therefore non-invasive and with no moving parts. The sensor features an electronic contact (on/off) which stops the pump if there is no water in the seal area.

The sensor opens the electric contact if there is no water after they factory-set delay (10 seconds) elapses. The sensor is supplied as a kit complete with 2 metres of cable, an EPDM O-ring gasket and a stainless steel adapter.

### General operating features

- The sensor can be fitted directly on the filling cap of the e-SV™ series of pumps.
- Operation is independent of the hardness and conductivity of the water. The sensor cannot detect frozen liquids.

### Available in two power versions depending on foreseen use:

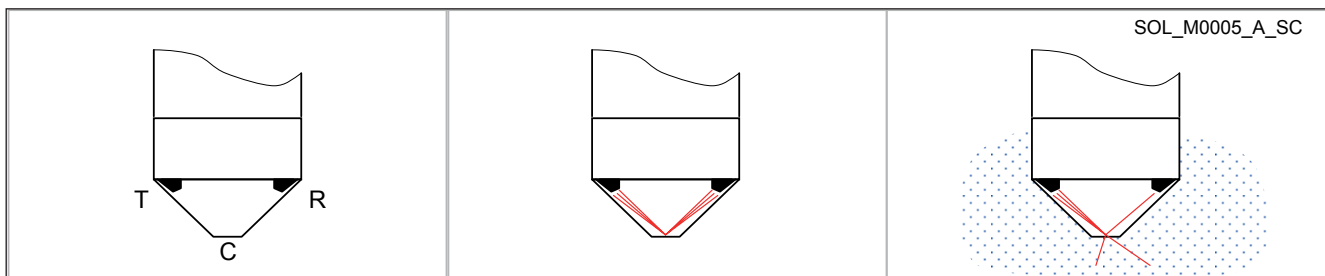
- 21 ÷ 27 Vac, universal solid state output for external relay at 24 Vac (21 ÷ 27 Vac, 50 mA).
- 15 ÷ 25 Vdc, NPN output at 25 V (10 mA) for HYDROVAR™ inverter.

### Operating principle

Operation is based on the change in the refractive index on the surfaces. The optic sensor comprises a glass cap (C) containing a transmitter (T) and an infrared receiver (R).

If there is no liquid, all the infrared light emitted by the transmitter is internally reflected by the surface of the glass cap of the receiver. The electronic contact will be open.

If liquid is present, the refractive index of the surface changes. Most of the infrared light emitted by the transmitter is dispersed in the liquid. The receiver receives less light and the electronic contact is closed.



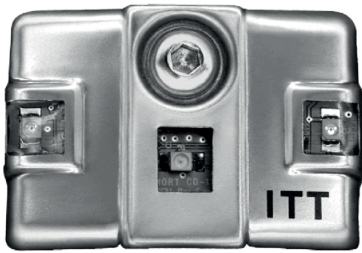
## SPECIFICATIONS

- Materials:
  - Body in AISI 316L stainless steel
  - Glass optic cap
  - EPDM gasket
- Liquids: clean water, demi water. Operation is not affected by the hardness and conductivity of the liquid. To check the suitability of other liquids, contact the Lowara technical assistance service providing the characteristics of the liquid.
- Temperature of liquid: -20°C ÷ +120°C (cannot be used to detect frozen liquids).
- Ambient temperature: -5°C ÷ +50°C
- Maximum pressure (PN): 25 bar
- Connector: 3/8" (3/8" x 1/2" adaptor plug included in the Kit)
- Dimensions: 27x 60 mm
- IP55 protection
- Electrical characteristics:
  - Input voltage SENSOR KIT DRP-GP: 21 ÷ 27 Vac  
SENSOR KIT DRP-HV: 15 ÷ 25 Vdc
  - Output SENSOR KIT DRP-GP: universal solid state 21 ÷ 27 Vac (50 mA) for 24 Vac external relay  
SENSOR KIT DRP-HV: NPN 25 V (10 mA) for HYDROVAR™ inverter
  - Alarm delay: 10 seconds (factory setting)
  - FROR cable 4 x 0,34 mm<sup>2</sup> (PVC-CEI 20-22) 2 metres long.





**SERIE e-SV™**  
**i-ALERT™ - VIBRATION MONITOR**



Patented system which constantly measures vibrations and signals any operating faults that could break the pump.

Available **on request** on all e-SV™ electric pumps range.

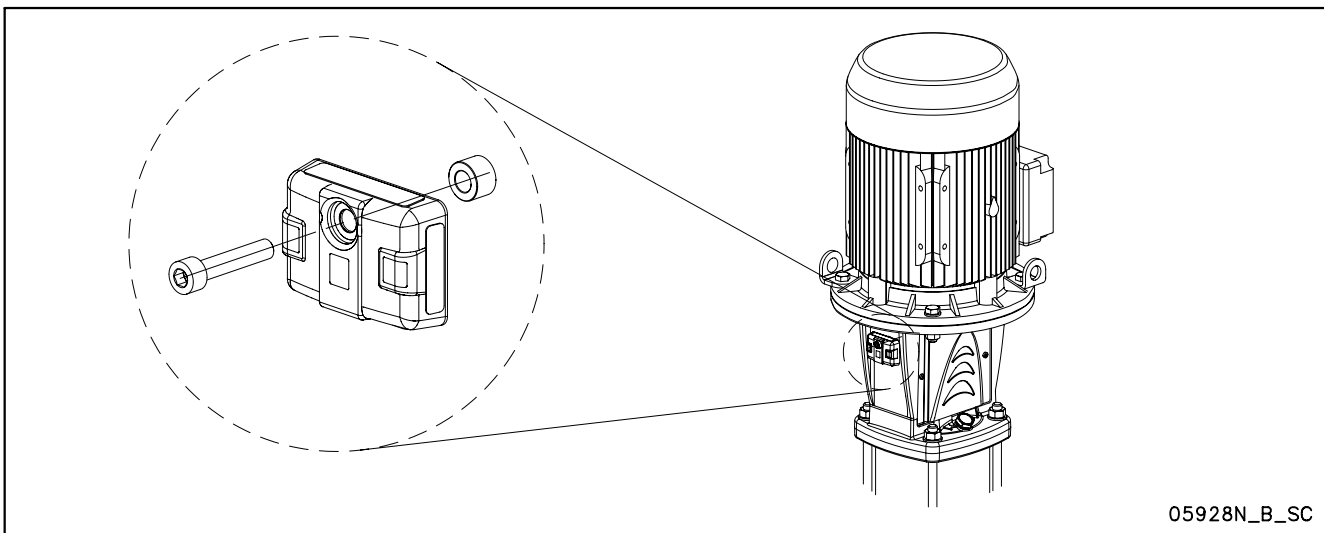
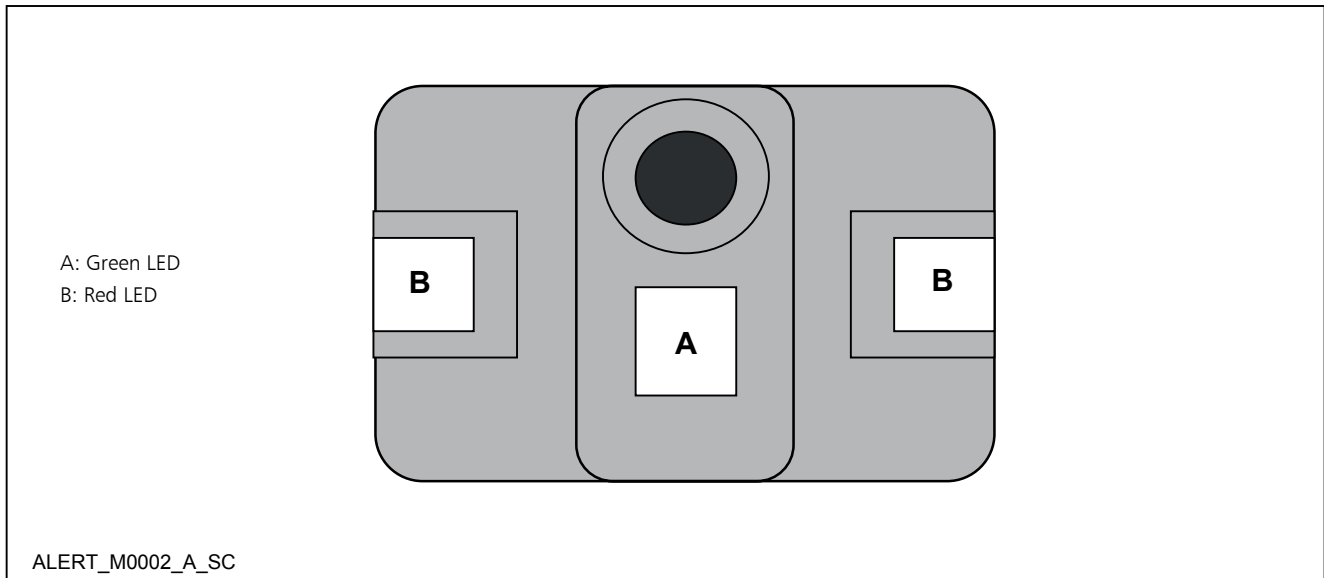
**Operating principle**

The device measures the level of vibrations at five minute intervals. If the set limit\* is exceeded at least three times consecutively, the device switches to the “alarm” mode, reduces the measurement interval to two minutes and activates the relative flashing signal. If the fault is temporary, the device automatically returns to the “normal” mode after measuring at least one vibration value within the set limit\*.

**SPECIFICATIONS**

- The device is fixed to the motor adapter of the e-SV™ pumps.
- The device features a flashing green light LED indicating that it is in the “normal” mode and that the battery is sufficiently charged.
- It constantly measures the vibration level and assess the responses from the motor and pump during operation.
- If the set limit is exceeded\*, the two red LED’s on the device flash to warn the user. This allows action to be taken before a fault or damage occurs to the pump.
- Vibration limit\* for tripping the alarm:
  - equal to twice the average vibration level during normal operation
  - with a minimum of 3,175 mm/s (to reduce the possibility of false alarms)
  - with a maximum of 12,7 mm/s (Hydraulic Institute Standard, ISO 10816)
- Measurement interval:
  - 5 minutes when the device is in the “normal” mode.
  - 2 minutes when the device is in the “alarm” mode.
- Power supplied by an internal lithium battery which cannot be replaced; when it goes flat, the entire device must be replaced. Its lifetime varies (1-3 years) depending on the number of times it enters the “alarm” mode.
- Ambient temperature: maximum 90°C.
- Atmosphere: unsuitable for atmospheres containing acetic acid.

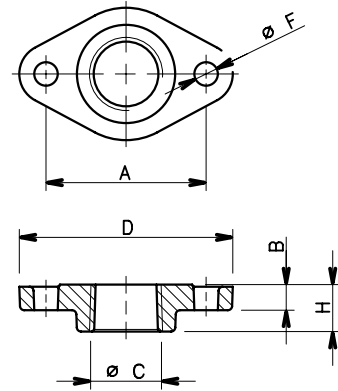
**SERIE e-SV™**  
**i-ALERT™ - VIBRATION MONITORING**



## DIMENSIONS OF OVAL COUNTERFLANGES (SV T)

PUMP TYPE	DN	ø C	DIMENSIONS (mm)				HOLES			PN
			A	B	D	H	ø F	N°		
1-3SVT	25	Rp 1	75	12	100	22	11	2	16	
5SVT	32	Rp 1¼	75	12	100	22	11	2	16	
10SVT	40	Rp 1½	100	15	132	25	14	2	16	
15-22SVT	50	Rp 2	100	15	132	25	14	2	16	

1-22sv-ctf-ovali-en\_a\_td



04429\_B\_DD

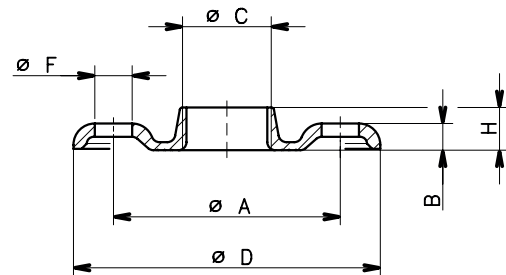
### Standard supply (included with the pump)

- AISI 304L stainless steel (T versions).

## DIMENSIONS OF ROUND THREADED COUNTERFLANGES (SV F, N, R, G) ACCORDING TO EN 1092-1

PUMP TYPE	DN	ø C	DIMENSIONS (mm)				HOLES			PN
			ø A	B	ø D	H	ø F	N°		
1-3SV	25	Rp 1	85	10	115	16	14	4	25	
5SV	32	Rp 1¼	100	13	140	16	18	4	25	
10SV	40	Rp 1½	110	14	150	19	18	4	25	
15-22SV	50	Rp 2	125	16	165	24	18	4	25	
33SV	65	Rp 2½	145	16	185	23	18	4	16	
46SV	80	Rp 3	160	17	200	27	18	8	16	
66SV-92SV	100	Rp 4	180	18	220	31	18	8	16	

1-92sv-ctf-tonde-f-en\_a\_td



04430\_B\_DD

### Round counterflanges Kit available on request:

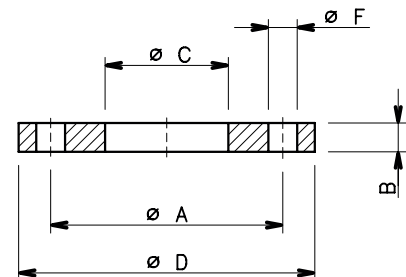
Kit containing 2 counterflanges with bolts and gaskets.

- threaded, galvanized steel (F, R, G versions).
- threaded, AISI 316L stainless steel (N versions).

## DIMENSIONS OF WELD-ON ROUND COUNTERFLANGES (SV G, N) ACCORDING TO EN 1092-1

PUMP TYPE	DN	ø C	DIMENSIONS (mm)				HOLES			PN
			ø A	B	ø D	ø F	N°			
33SV	65	77	145	18	185	18	4	16		
46SV	80	90	160	20	200	18	8	16		
66SV-92SV	100	115,5	180	22	220	18	8	16		
125SV	125	141	210	24	250	18	8	16		
33SV	65	77	145	24	185	18	8	25-40		
46SV	80	90	160	26	200	18	8	25-40		
66SV-92SV	100	115,5	190	26	235	22	8	25-40		
125SV	125	141	220	28	270	25	8	25-40		

33-125sv-ctf-tonde-s-en\_a\_td



04431\_A\_DD

### Round counterflanges Kit available on request:

Kit containing 2 counterflanges with bolts and gaskets.

- weld-on counterflanges, galvanized steel (G versions).
- weld-on counterflanges, AISI 316L stainless steel (N versions).

### DIMENSIONS OF VICTAULIC® COUPLINGS (SV V)

WELD-ON SLEEVES

THREADED SLEEVES

PUMP TYPE	ø D4	DIMENSIONS (mm)	
		ø D5	M
1-3-5SV V	R 1¼	42,2	320
10-15-22SV V	R 2	60,3	378

1-22sv-giunti-vict-en\_a\_td

**Victaulic® couplings kit available on request:**  
 Victaulic® coupling with AISI 316L stainless steel weld-on or threaded sleeve, plus EPDM or FPM gasket.  
 Kits are available for the single version (1 coupling) or double version (2 couplings).

04427\_B\_DD

### DIMENSIONS OF CLAMP COUPLINGS (SV C)

WELD-ON SLEEVES

THREADED SLEEVES

PUMP TYPE	DIMENSIONS (mm)			
	A	B	ø D6	ø D7
1-3-5SV C	208	245	35	Rp 1¼
10-15-22SV C	248	301	53	Rp 2

1-22sv-giunti-clamp-en\_a\_td

**Clamp couplings kit available on request:**  
 Kit containing 2 Clamp couplings with AISI 316L stainless steel weld-on or threaded sleeve, plus EPDM or FPM gasket. Coupling shape and dimensions according to DIN 32676.

04426\_B\_DD

## SPECIAL VERSIONS ON REQUEST

More and more customers require specific solutions for satisfying particular application requirements. To meet their needs, Lowara offers a series of variants for personalising the e-SV™ pumps.

- **High Pressure (50/60 Hz)**

Water treatment industry - washing and cleaning

- Versatile range
- Long lasting performances
- Easy installation and maintenance

- **Low NPSH (50/60 Hz)**

Solving cavitation issues in installation

- Consistent operation
- Long lasting performances
- Easy installation

- **High Temperature (50/60 Hz)**

Electric pumps for high temperature applications

- **H** versions for temperature values up to 150°C
- **B** "BOILER" versions for temperature values up to 180°C

- **e-SVH - e-SV™ with HYDROVAR™ (50 Hz)**

An evolution of e-SV™ special version toward a variable speed intelligent system

- **4-POLE Version (50/60 Hz)**

Silencious operation

- Low level of noise
- Wide range of performances
- Increased performance with HYDROVAR™ (50 Hz)

- **Reduced overall dimensions (50/60 Hz)**

Space saving in installation

- Compact design
- Versatile design
- High level performances

- **Horizontal Installation (50/60 Hz)**

Installation in reduced vertical space

- Reduced vertical space
- Easy installation

- **Motors (50/60 Hz)**

- High-efficiency
- Wide range of voltages
- Wide range of options

- **Protection sensor against dry running**

Pump dry-running detection device

- **i-ALERT™ device**

Patented system which constantly measures vibrations and signals any operating faults that could break the pump.

Available **on request** on all e-SV™ electric pumps range.

- **Reports and declarations**

List of main documents (test reports, declarations, certificates) available for e-SV™

- **Accessories**

Wide range of accessories for installation

**For more information, please see e-SV™ Special Versions catalogue.**

Furthermore

- **Passivated and electro-polished version**

All e-SV™ pump components are passivated and electro-polished in order to reduce the risk of corrosion and to comply with specific hygiene requirements.

- **Version with stainless steel base**

The e-SV™ pump can be supplied with a stainless steel base for applications in aggressive conditions.

- **Version with pump body in stainless steel**

1.4408 (AISI 316 cast) for series 1, 3, 5, 10, 15, 22SV.

# **TECHNICAL APPENDIX**

## NPSH

The minimum operating values that can be reached at the pump suction end are limited by the onset of cavitation.

Cavitation is the formation of vapour-filled cavities within liquids where the pressure is locally reduced to a critical value, or where the local pressure is equal to, or just below the vapour pressure of the liquid.

The vapour-filled cavities flow with the current and when they reach a higher pressure area the vapour contained in the cavities condenses. The cavities collide, generating pressure waves that are transmitted to the walls. These, being subjected to stress cycles, gradually become deformed and yield due to fatigue. This phenomenon, characterized by a metallic noise produced by the hammering on the pipe walls, is called incipient cavitation.

The damage caused by cavitation may be magnified by electrochemical corrosion and a local rise in temperature due to the plastic deformation of the walls. The materials that offer the highest resistance to heat and corrosion are alloy steels, especially austenitic steel. The conditions that trigger cavitation may be assessed by calculating the total net suction head, referred to in technical literature with the acronym NPSH (Net Positive Suction Head).

The NPSH represents the total energy (expressed in m.) of the liquid measured at suction under conditions of incipient cavitation, excluding the vapour pressure (expressed in m.) that the liquid has at the pump inlet.

To find the static height  $h_z$  at which to install the machine under safe conditions, the following formula must be verified:

$$hp + h_z \geq (NPSH_r + 0.5) + h_f + h_{pv} \quad \textcircled{1}$$

where:

**hp** is the absolute pressure applied to the free liquid surface in the suction tank, expressed in m. of liquid;  $h_p$  is the quotient between the barometric pressure and the specific weight of the liquid.

**h<sub>z</sub>** is the suction lift between the pump axis and the free liquid surface in the suction tank, expressed in m.;  $h_z$  is negative when the liquid level is lower than the pump axis.

**h<sub>f</sub>** is the flow resistance in the suction line and its accessories, such as: fittings, foot valve, gate valve, elbows, etc.

**h<sub>pv</sub>** is the vapour pressure of the liquid at the operating temperature, expressed in m. of liquid.  $h_{pv}$  is the quotient between the  $P_v$  vapour pressure and the liquid's specific weight.

**0,5** is the safety factor.

The maximum possible suction head for installation depends on the value of the atmospheric pressure (i.e. the elevation above sea level at which the pump is installed) and the temperature of the liquid.

To help the user, with reference to water temperature (4° C) and to the elevation above sea level, the following tables show the drop in hydraulic pressure head in relation to the elevation above sea level, and the suction loss in relation to temperature.

Water temperature (°C)	20	40	60	80	90	110	120
Suction loss (m)	0,2	0,7	2,0	5,0	7,4	15,4	21,5

Elevation above sea level (m)	500	1000	1500	2000	2500	3000
Suction loss (m)	0,55	1,1	1,65	2,2	2,75	3,3

Friction loss is shown in the tables at pages 66-67 of this catalogue. To reduce it to a minimum, especially in cases of high suction head (over 4-5 m.) or within the operating limits with high flow rates, we recommend using a suction line having a larger diameter than that of the pump's suction port. It is always a good idea to position the pump as close as possible to the liquid to be pumped.

Make the following calculation:

Liquid: water at ~15°C  $\gamma = 1 \text{ kg/dm}^3$

Flow rate required: 25 m<sup>3</sup>/h

Head for required delivery: 70 m.

Suction lift: 3,5 m.

The selection is an 33SV3G075T pump whose NPSH required value is, at 25 m<sup>3</sup>/h, of 2 m.

For water at 15 °C

$$h_p = P_a / \gamma = 10,33\text{m}, h_{pv} = P_v / \gamma = 0,174\text{m} (0,01701 \text{ bar})$$

The  $H_f$  flow resistance in the suction line with foot valves is ~ 1,2 m.

By substituting the parameters in formula  $\textcircled{1}$  with the numeric values above, we have:

$$10,33 + (-3,5) \geq (2 + 0,5) + 1,2 + 0,17$$

from which we have: 6,8 > 3,9

The relation is therefore verified.



**VAPOUR PRESSURE**

**VAPOUR PRESSURE  $p_s$  AND  $\rho$  DENSITY OF WATER TABLE**

t °C	T K	$p_s$ bar	$\rho$ kg/dm <sup>3</sup>	t °C	T K	$p_s$ bar	$\rho$ kg/dm <sup>3</sup>	t °C	T K	$p_s$ bar	$\rho$ kg/dm <sup>3</sup>
0	273,15	0,00611	0,9998	55	328,15	0,15741	0,9857	120	393,15	1,9854	0,9429
1	274,15	0,00657	0,9999	56	329,15	0,16511	0,9852	122	395,15	2,1145	0,9412
2	275,15	0,00706	0,9999	57	330,15	0,17313	0,9846	124	397,15	2,2504	0,9396
3	276,15	0,00758	0,9999	58	331,15	0,18147	0,9842	126	399,15	2,3933	0,9379
4	277,15	0,00813	1,0000	59	332,15	0,19016	0,9837	128	401,15	2,5435	0,9362
5	278,15	0,00872	1,0000	60	333,15	0,1992	0,9832	130	403,15	2,7013	0,9346
6	279,15	0,00935	1,0000	61	334,15	0,2086	0,9826	132	405,15	2,867	0,9328
7	280,15	0,01001	0,9999	62	335,15	0,2184	0,9821	134	407,15	3,041	0,9311
8	281,15	0,01072	0,9999	63	336,15	0,2286	0,9816	136	409,15	3,223	0,9294
9	282,15	0,01147	0,9998	64	337,15	0,2391	0,9811	138	411,15	3,414	0,9276
10	283,15	0,01227	0,9997	65	338,15	0,2501	0,9805	140	413,15	3,614	0,9258
11	284,15	0,01312	0,9997	66	339,15	0,2615	0,9799	145	418,15	4,155	0,9214
12	285,15	0,01401	0,9996	67	340,15	0,2733	0,9793	155	428,15	5,433	0,9121
13	286,15	0,01497	0,9994	68	341,15	0,2856	0,9788	160	433,15	6,181	0,9073
14	287,15	0,01597	0,9993	69	342,15	0,2984	0,9782	165	438,15	7,008	0,9024
15	288,15	0,01704	0,9992	70	343,15	0,3116	0,9777	170	443,15	7,920	0,8973
16	289,15	0,01817	0,9990	71	344,15	0,3253	0,9770	175	448,15	8,924	0,8921
17	290,15	0,01936	0,9988	72	345,15	0,3396	0,9765	180	453,15	10,027	0,8869
18	291,15	0,02062	0,9987	73	346,15	0,3543	0,9760	185	458,15	11,233	0,8815
19	292,15	0,02196	0,9985	74	347,15	0,3696	0,9753	190	463,15	12,551	0,8760
20	293,15	0,02337	0,9983	75	348,15	0,3855	0,9748	195	468,15	13,987	0,8704
21	294,15	0,24850	0,9981	76	349,15	0,4019	0,9741	200	473,15	15,550	0,8647
22	295,15	0,02642	0,9978	77	350,15	0,4189	0,9735	205	478,15	17,243	0,8588
23	296,15	0,02808	0,9976	78	351,15	0,4365	0,9729	210	483,15	19,077	0,8528
24	297,15	0,02982	0,9974	79	352,15	0,4547	0,9723	215	488,15	21,060	0,8467
25	298,15	0,03166	0,9971	80	353,15	0,4736	0,9716	220	493,15	23,198	0,8403
26	299,15	0,03360	0,9968	81	354,15	0,4931	0,9710	225	498,15	25,501	0,8339
27	300,15	0,03564	0,9966	82	355,15	0,5133	0,9704	230	503,15	27,976	0,8273
28	301,15	0,03778	0,9963	83	356,15	0,5342	0,9697	235	508,15	30,632	0,8205
29	302,15	0,04004	0,9960	84	357,15	0,5557	0,9691	240	513,15	33,478	0,8136
30	303,15	0,04241	0,9957	85	358,15	0,5780	0,9684	245	518,15	36,523	0,8065
31	304,15	0,04491	0,9954	86	359,15	0,6011	0,9678	250	523,15	39,776	0,7992
32	305,15	0,04753	0,9951	87	360,15	0,6249	0,9671	255	528,15	43,246	0,7916
33	306,15	0,05029	0,9947	88	361,15	0,6495	0,9665	260	533,15	46,943	0,7839
34	307,15	0,05318	0,9944	89	362,15	0,6749	0,9658	265	538,15	50,877	0,7759
35	308,15	0,05622	0,9940	90	363,15	0,7011	0,9652	270	543,15	55,058	0,7678
36	309,15	0,05940	0,9937	91	364,15	0,7281	0,9644	275	548,15	59,496	0,7593
37	310,15	0,06274	0,9933	92	365,15	0,7561	0,9638	280	553,15	64,202	0,7505
38	311,15	0,06624	0,9930	93	366,15	0,7849	0,9630	285	558,15	69,186	0,7415
39	312,15	0,06991	0,9927	94	367,15	0,8146	0,9624	290	563,15	74,461	0,7321
40	313,15	0,07375	0,9923	95	368,15	0,8453	0,9616	295	568,15	80,037	0,7223
41	314,15	0,07777	0,9919	96	369,15	0,8769	0,9610	300	573,15	85,927	0,7122
42	315,15	0,08198	0,9915	97	370,15	0,9094	0,9602	305	578,15	92,144	0,7017
43	316,15	0,09639	0,9911	98	371,15	0,9430	0,9596	310	583,15	98,70	0,6906
44	317,15	0,09100	0,9907	99	372,15	0,9776	0,9586	315	588,15	105,61	0,6791
45	318,15	0,09582	0,9902	100	373,15	1,0133	0,9581	320	593,15	112,89	0,6669
46	319,15	0,10086	0,9898	102	375,15	1,0878	0,9567	325	598,15	120,56	0,6541
47	320,15	0,10612	0,9894	104	377,15	1,1668	0,9552	330	603,15	128,63	0,6404
48	321,15	0,11162	0,9889	106	379,15	1,2504	0,9537	340	613,15	146,05	0,6102
49	322,15	0,11736	0,9884	108	381,15	1,3390	0,9522	350	623,15	165,35	0,5743
50	323,15	0,12335	0,9880	110	383,15	1,4327	0,9507	360	633,15	186,75	0,5275
51	324,15	0,12961	0,9876	112	385,15	1,5316	0,9491	370	643,15	210,54	0,4518
52	325,15	0,13613	0,9871	114	387,15	1,6362	0,9476	374,15	647,30	221,20	0,3154
53	326,15	0,14293	0,9862	116	389,15	1,7465	0,9460				
54	327,15	0,15002	0,9862	118	391,15	1,8628	0,9445				

G-at\_nps\_h\_sc

## TABLE OF FLOW RESISTANCE IN 100 m OF STRAIGHT CAST IRON PIPELINE (HAZEN-WILLIAMS FORMULA C=100)

FLOW RATE		NOMINAL DIAMETER in mm and inches																		
m <sup>3</sup> /h	l/min		15	20	25	32	40	50	65	80	100	125	150	175	200	250	300	350	400	
			1/2"	3/4"	1"	1 1/4"	1 1/2"	2	2 1/2"	3"	4"	5"	6"	7"	8"	10"	12"	14"	16"	
0,6	10	v	0,94	0,53	0,34	0,21	0,13													
		hr	16	3,94	1,33	0,40	0,13													
0,9	15	v	1,42	0,80	0,51	0,31	0,20													
		hr	33,9	8,35	2,82	0,85	0,29													
1,2	20	v	1,89	1,06	0,68	0,41	0,27	0,17												
		hr	57,7	14,21	4,79	1,44	0,49	0,16												
1,5	25	v	2,36	1,33	0,85	0,52	0,33	0,21												
		hr	87,2	21,5	7,24	2,18	0,73	0,25												
1,8	30	v	2,83	1,59	1,02	0,62	0,40	0,25												
		hr	122	30,1	10,1	3,05	1,03	0,35												
2,1	35	v	3,30	1,86	1,19	0,73	0,46	0,30												
		hr	162	40,0	13,5	4,06	1,37	0,46												
2,4	40	v		2,12	1,36	0,83	0,53	0,34	0,20											
		hr		51,2	17,3	5,19	1,75	0,59	0,16											
3	50	v		2,65	1,70	1,04	0,66	0,42	0,25											
		hr		77,4	26,1	7,85	2,65	0,89	0,25											
3,6	60	v		3,18	2,04	1,24	0,80	0,51	0,30											
		hr		108	36,6	11,0	3,71	1,25	0,35											
4,2	70	v		3,72	2,38	1,45	0,93	0,59	0,35											
		hr		144	48,7	14,6	4,93	1,66	0,46											
4,8	80	v		4,25	2,72	1,66	1,06	0,68	0,40											
		hr		185	62,3	18,7	6,32	2,13	0,59											
5,4	90	v			3,06	1,87	1,19	0,76	0,45	0,30										
		hr			77,5	23,3	7,85	2,65	0,74	0,27										
6	100	v			3,40	2,07	1,33	0,85	0,50	0,33										
		hr			94,1	28,3	9,54	3,22	0,90	0,33										
7,5	125	v			4,25	2,59	1,66	1,06	0,63	0,41										
		hr			142	42,8	14,4	4,86	1,36	0,49										
9	150	v				3,11	1,99	1,27	0,75	0,50	0,32									
		hr				59,9	20,2	6,82	1,90	0,69	0,23									
10,5	175	v				3,63	2,32	1,49	0,88	0,58	0,37									
		hr				79,7	26,9	9,07	2,53	0,92	0,31									
12	200	v				4,15	2,65	1,70	1,01	0,66	0,42									
		hr				102	34,4	11,6	3,23	1,18	0,40									
15	250	v				5,18	3,32	2,12	1,26	0,83	0,53	0,34								
		hr				154	52,0	17,5	4,89	1,78	0,60	0,20								
18	300	v					3,98	2,55	1,51	1,00	0,64	0,41								
		hr					72,8	24,6	6,85	2,49	0,84	0,28								
24	400	v					5,31	3,40	2,01	1,33	0,85	0,54	0,38							
		hr					124	41,8	11,66	4,24	1,43	0,48	0,20							
30	500	v					6,63	4,25	2,51	1,66	1,06	0,68	0,47							
		hr					187	63,2	17,6	6,41	2,16	0,73	0,30							
36	600	v						5,10	3,02	1,99	1,27	0,82	0,57	0,42						
		hr						88,6	24,7	8,98	3,03	1,02	0,42	0,20						
42	700	v						5,94	3,52	2,32	1,49	0,95	0,66	0,49						
		hr						118	32,8	11,9	4,03	1,36	0,56	0,26						
48	800	v						6,79	4,02	2,65	1,70	1,09	0,75	0,55						
		hr						151	42,0	15,3	5,16	1,74	0,72	0,34						
54	900	v						7,64	4,52	2,99	1,91	1,22	0,85	0,62						
		hr						188	52,3	19,0	6,41	2,16	0,89	0,42						
60	1000	v							5,03	3,32	2,12	1,36	0,94	0,69	0,53					
		hr							63,5	23,1	7,79	2,63	1,08	0,51	0,27					
75	1250	v							6,28	4,15	2,65	1,70	1,18	0,87	0,66					
		hr							96,0	34,9	11,8	3,97	1,63	0,77	0,40					
90	1500	v							7,54	4,98	3,18	2,04	1,42	1,04	0,80					
		hr							134	48,9	16,5	5,57	2,29	1,08	0,56					
105	1750	v							8,79	5,81	3,72	2,38	1,65	1,21	0,93					
		hr							179	65,1	21,9	7,40	3,05	1,44	0,75					
120	2000	v								6,63	4,25	2,72	1,89	1,39	1,06	0,68				
		hr								83,3	28,1	9,48	3,90	1,84	0,96	0,32				
150	2500	v								8,29	5,31	3,40	2,36	1,73	1,33	0,85				
		hr								126	42,5	14,3	5,89	2,78	1,45	0,49				
180	3000	v								6,37	4,08	2,83	2,08	1,59	1,02	0,71				
		hr								59,5	20,1	8,26	3,90	2,03	0,69	0,28				
210	3500	v								7,43	4,76	3,30	2,43	1,86	1,19	0,83				
		hr								79,1	26,7	11,0	5,18	2,71	0,91	0,38				
240	4000	v								8,49	5,44	3,77	2,77	2,12	1,36	0,94				
		hr								101	34,2	14,1	6,64	3,46	1,17	0,48				
300	5000	v									6,79	4,72	3,47	2,65	1,70	1,18				
		hr									51,6	21,2	10,0	5,23	1,77	0,73				
360	6000	v									8,15	5,66	4,16	3,18	2,04	1,42				
		hr									72,3	29,8	14,1	7,33	2,47	1,02				
420	7000	v										6,61	4,85	3,72	2,38	1,65	1,21			
		hr										39,6	18,7	9,75	3,29	1,35	0,64			
480	8000	v										7,55	5,55	4,25	2,72	1,89	1,39			
		hr										50,7	23,9	12,49	4,21	1,73	0,82			
540	9000	v										8,49	6,24	4,78	3,06	2,12	1,56	1,19		
		hr										63,0	29,8	15,5	5,24	2,16	1,02	0,53		
600	10000	v											6,93	5,31	3,40	2,36	1,73	1,33		

## FLOW RESISTANCE

### TABLE OF FLOW RESISTANCE IN BENDS, VALVES AND GATES

The flow resistance is calculated using the equivalent pipeline length method according to the table below:

ACCESSORY TYPE	DN											
	25	32	40	50	65	80	100	125	150	200	250	300
	Equivalent pipeline length (m)											
45° bend	0,2	0,2	0,4	0,4	0,6	0,6	0,9	1,1	1,5	1,9	2,4	2,8
90° bend	0,4	0,6	0,9	1,1	1,3	1,5	2,1	2,6	3,0	3,9	4,7	5,8
90° smooth bend	0,4	0,4	0,4	0,6	0,9	1,1	1,3	1,7	1,9	2,8	3,4	3,9
Union tee or cross	1,1	1,3	1,7	2,1	2,6	3,2	4,3	5,3	6,4	7,5	10,7	12,8
Gate	-	-	-	0,2	0,2	0,2	0,4	0,4	0,6	0,9	1,1	1,3
Non return valve	1,1	1,5	1,9	2,4	3,0	3,4	4,7	5,9	7,4	9,6	11,8	13,9

G-a-pcv-en\_a\_th

The table is valid for the Hazen Williams coefficient  $C=100$  (cast iron pipework);

for steel pipework, multiply the values by 1,41;

for stainless steel, copper and coated cast iron pipework, multiply the values by 1,85;

When the **equivalent pipeline length** has been determined, the flow resistance is obtained from the table of flow resistance.

The values given are guideline values which are bound to vary slightly according to the model, especially for gate valves and non-return valves, for which it is a good idea to check the values supplied by manufacturers.

## VOLUMETRIC CAPACITY

Litres per minute l/min	Cubic metres per hour m <sup>3</sup> /h	Cubic feet per hour ft <sup>3</sup> /h	Cubic feet per minute ft <sup>3</sup> /min	Imperial gallon per minute Imp. gal/min	U.S. gallon per minute US gal/min
<b>1,000</b>	0,0600	2,1189	0,0353	0,2200	0,2642
16,6667	<b>1,0000</b>	35,3147	0,5886	3,6662	4,4029
0,4719	0,0283	<b>1,0000</b>	0,0167	0,1038	0,1247
28,3168	1,6990	60,0000	<b>1,0000</b>	6,2288	7,4805
4,5461	0,2728	9,6326	0,1605	<b>1,0000</b>	1,2009
3,7854	0,2271	8,0208	0,1337	0,8327	<b>1,0000</b>

## PRESSURE AND HEAD

Newton per square metre N/m <sup>2</sup>	kilo Pascal kPa	bar bar	Pound force per square inch psi	Metre of water m H <sub>2</sub> O	Millimetre of mercury mm Hg
<b>1,0000</b>	0,0010	$1 \times 10^{-5}$	$1,45 \times 10^{-4}$	$1,02 \times 10^{-4}$	0,0075
1 000,0000	<b>1,0000</b>	0,0100	0,1450	0,1020	7,5006
$1 \times 10^5$	100,0000	<b>1,0000</b>	14,5038	10,1972	750,0638
6 894,7570	6,8948	0,0689	<b>1,0000</b>	0,7031	51,7151
9 806,6500	9,8067	0,0981	1,4223	<b>1,0000</b>	73,5561
133,3220	0,1333	0,0013	0,0193	0,0136	<b>1,0000</b>

## LENGTH

Millimetre mm	Centimetre cm	Metre m	Inch in	Foot ft	Yard yd
<b>1,0000</b>	0,1000	0,0010	0,0394	0,0033	0,0011
10,0000	<b>1,0000</b>	0,0100	0,3937	0,0328	0,0109
1 000,0000	100,0000	<b>1,0000</b>	39,3701	3,2808	1,0936
25,4000	2,5400	0,0254	<b>1,0000</b>	0,0833	0,0278
304,8000	30,4800	0,3048	12,0000	<b>1,0000</b>	0,3333
914,4000	91,4400	0,9144	36,0000	3,0000	<b>1,0000</b>

## VOLUME

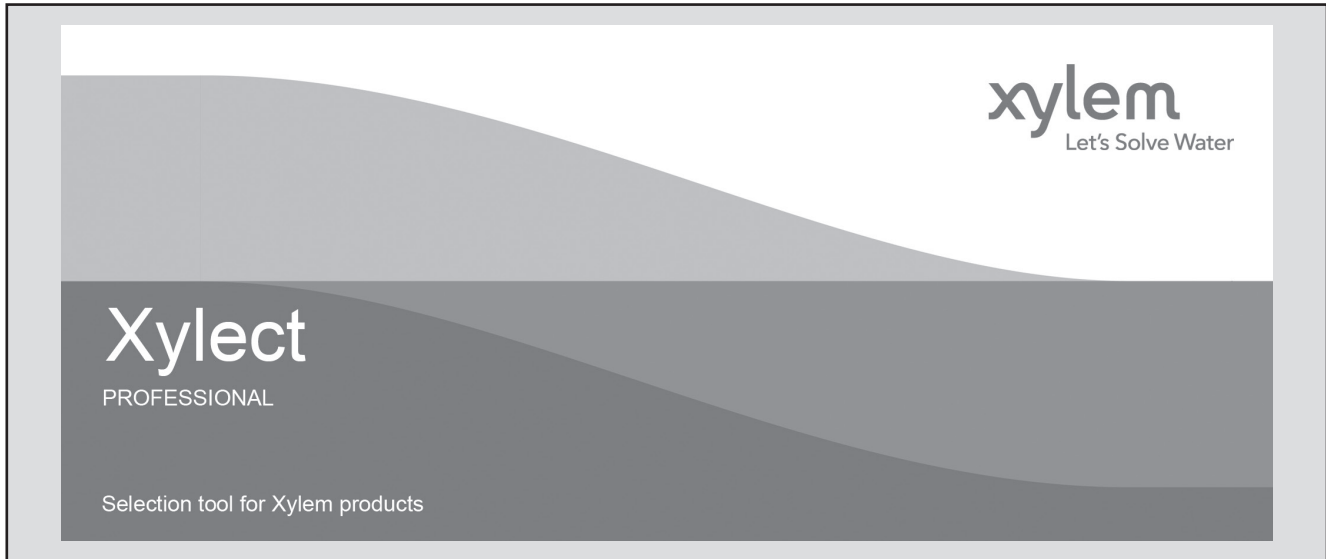
Cubic metre m <sup>3</sup>	Litre L	Millilitre ml	Imperial gallon imp. gal.	U.S. gallon US gal.	Cubic foot ft <sup>3</sup>
<b>1,0000</b>	1 000,0000	$1 \times 10^6$	219,9694	264,1720	35,3147
0,0010	<b>1,0000</b>	1 000,0000	0,2200	0,2642	0,0353
$1 \times 10^{-6}$	0,0010	<b>1,0000</b>	$2,2 \times 10^{-4}$	$2,642 \times 10^{-4}$	$3,53 \times 10^{-5}$
0,0045	4,5461	4 546,0870	<b>1,0000</b>	1,2009	0,1605
0,0038	3,7854	3 785,4120	0,8327	<b>1,0000</b>	0,1337
0,0283	28,3168	28 316,8466	6,2288	7,4805	<b>1,0000</b>

## TEMPERATURE

Water	Kelvin K	Celsius °C	Fahrenheit °F	$^{\circ}\text{F} = ^{\circ}\text{C} \times \frac{9}{5} + 32$ $^{\circ}\text{C} = (^{\circ}\text{F} - 32) \times \frac{5}{9}$
icing	273,1500	0,0000	32,0000	
boiling	373,1500	100,0000	212,0000	

G-at\_pp-en\_b\_sc

**FURTHER PRODUCT SELECTION  
AND DOCUMENTATION  
Xylect™**



Xylect™ is pump solution selection software with an extensive online database of product information across the entire Lowara, and Vogel range of pumps and related products, with multiple search options and helpful project management facilities. The system holds up-to-date product information on thousands of products and accessories.

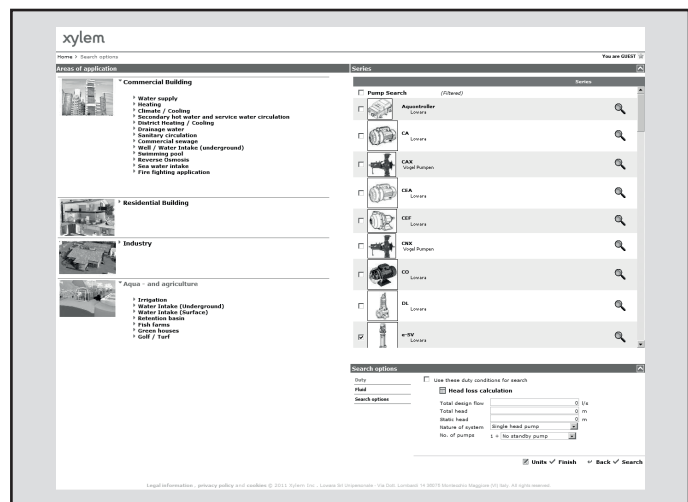
The possibility to search by applications and the detailed information output given makes it easy to make the optimal selection without having detailed knowledge about the Lowara and Vogel products.

The search can be made by:

- Application
- Product type
- Duty point

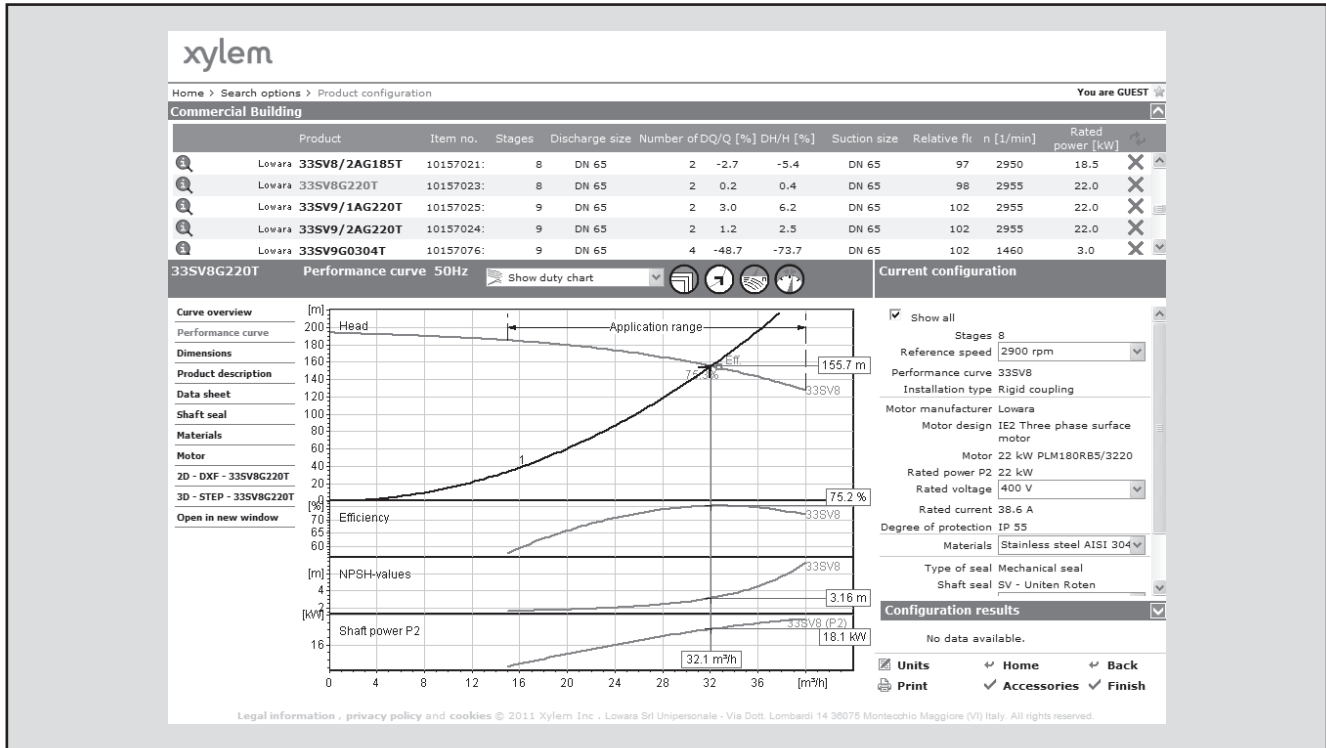
Xylect™ gives a detailed output:

- List with search results
- Performance curves (flow, head, power, efficiency, NPSH)
- Motor data
- Dimensional drawings
- Options
- Data sheet printouts
- Document downloads incl dxf files



*The search by application guides users not familiar with the product range to the right choice.*

## FURTHER PRODUCT SELECTION AND DOCUMENTATION Xylect™



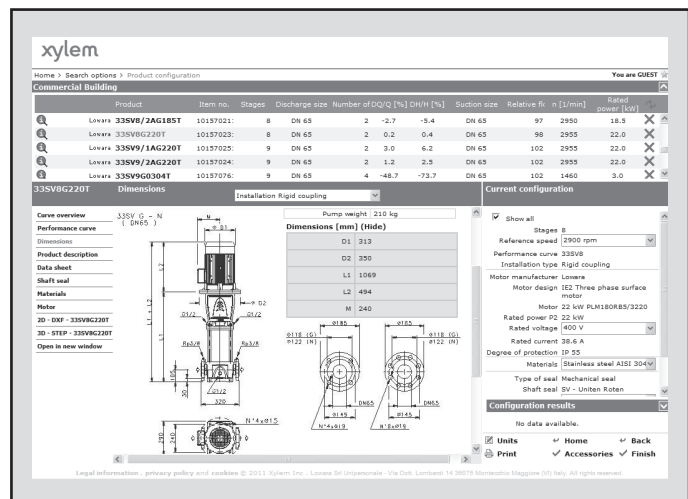
The detailed output makes it easy to select the optimal pump from the given alternatives.

The best way to work with Xylect™ is to create a personal account. This makes it possible to:

- Set own standard units
- Create and save projects
- Share projects with other Xylect™ users

Every user has a My Xylect space, where all projects are saved.

For more information about Xylect™ please contact our sales network or visit [www.xylect.com](http://www.xylect.com).



Dimensional drawings appear on the screen and can be downloaded in dxf format.



# Xylem |'zīləm|

- 1) The tissue in plants that brings water upward from the roots;
- 2) a leading global water technology company.

We're approximately 12,500 people unified in a common purpose: creating innovative solutions to meet our world's water needs. Developing new technologies that will improve the way water is used, conserved, and re-used in the future is central to our work. We move, treat, analyze, and return water to the environment, and we help people use water efficiently, in their homes, buildings, factories and farms. In more than 150 countries, we have strong, long-standing relationships with customers who know us for our powerful combination of leading product brands and applications expertise, backed by a legacy of innovation.

**For more information on how Xylem can help you, go to [xyleminc.com](http://xyleminc.com).**



For information and technical support



**LENNTECH**

info@lennotech.com Tel. +31-152-610-900

www.lennotech.com Fax. +31-152-616-289