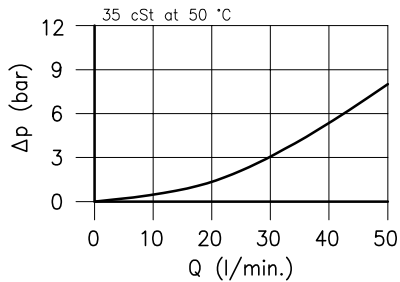
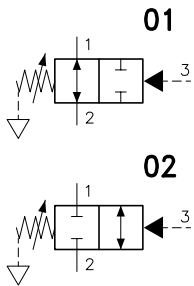
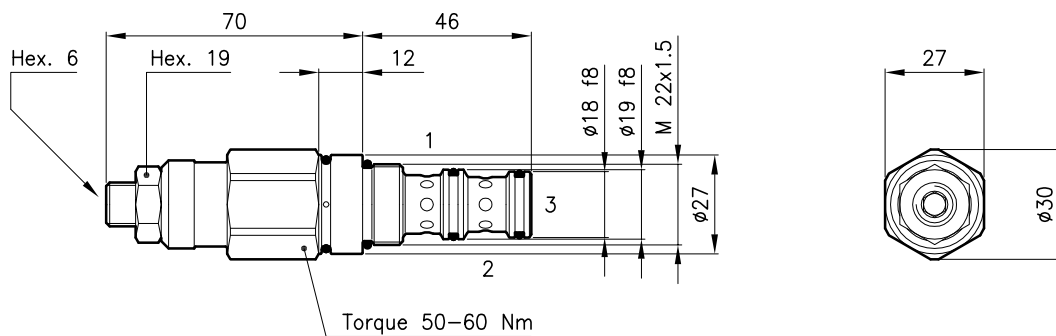


**Technical features**



Cavity	(For dimensions see catalogue 17.000)	S 30/3
Nominal flow	(l/min.)	40
Max. pressure	(bar)	350
Fluid viscosity range	(cSt)	2.8 - 380
Fluid temperature range	(°C)	-20 +80
Mass	(kg)	0.280
Hydraulic fluid; mineral oil HM and HV	ISO 6074	
Recommended filtration; 19/15 ISO 4466 (25 μ absolutes)		
Standard seals in Polyurethane and Buna N		

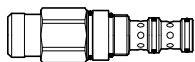
**Dimensions**



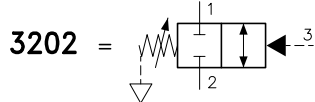
**Ordering informations**

**VDT 30/3201-D-N**

**VDT 30** = Valve type



Circuits



Standard springs

Type      Setting range

**U**      = 5 - 35 bar

**D**      = 14 - 70 bar

**T**      = 35 - 105 bar

**Q**      = 70 - 210 bar

Adjustment type

**N**      = Standard adjustment



Codes:

VDT 30/3201-U-N      32 011 106  
 VDT 30/3201-D-N      32 011 107  
 VDT 30/3201-T-N      32 011 108  
 VDT 30/3201-Q-N      32 011 186

VDT 30/3202-U-N      32 011 109  
 VDT 30/3202-D-N      32 011 110  
 VDT 30/3202-T-N      32 011 111  
 VDT 30/3202-Q-N      32 011 187

External seals kit      90 620 104

VDT 30 valves can be assembled on standard bodies 30-C3 series; for dimensions see catalogue 16.010