



BRAIME ELEVATOR COMPONENTS LTD.

England. LS10 1JZ
Telephone: (0113)2457491
Fax: (0113)2435021
Web: www.braine.com
e-mail: elevators@braine.co.uk



SETEM

9, route de Corbie
80800 LAMOTTE WARFUSEE
Tél : (33) 03 22 42 32 26
Fax : (33) 03 22 42 37 33
Email : setem@aol.com
www.braine.com/setem



BRAIME ELEVATOR COMPONENTS LTD.

England. LS10 1JZ
Telephone: (0113)2457491
Fax: (0113)2435021
Web: www.braine.com
e-mail: elevators@braine.co.uk

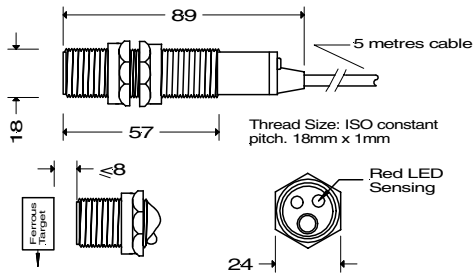


SETEM

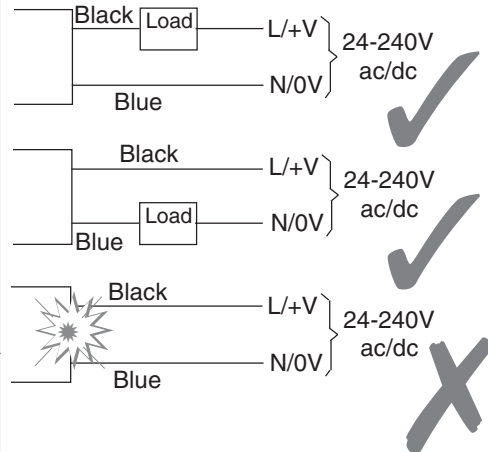
9, route de Corbie
80800 LAMOTTE WARFUSEE
Tél : (33) 03 22 42 32 26
Fax : (33) 03 22 42 37 33
Email : setem@aol.com
www.braine.com/setem

ATEX Approved Inductive Proximity Sensor Type: P1002V10A

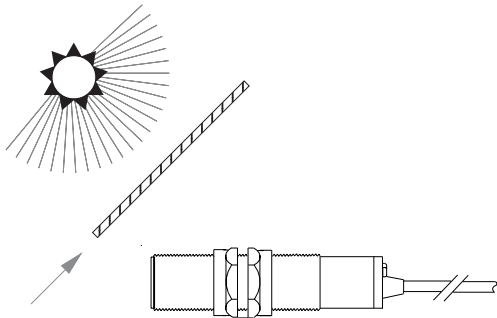
Dimensions - mm



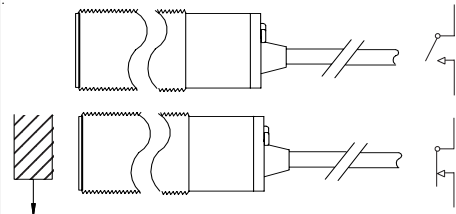
Connections



Protection



Output Mode



Approval



Approval No:
Baseefa03ATEX0593X

Category:
EXII 1D T100°C Tamb -15°C to +50°C IP65

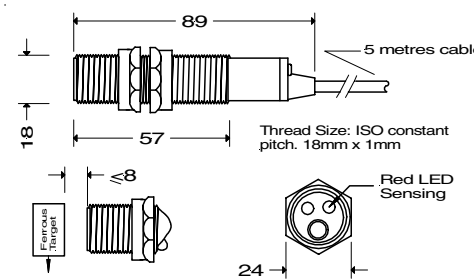
Specification

Supply V 24-240V ac/dc.
I. min ≤ 1 mA.
V. drop 8V max.
Output Rating .. 200 mA max.
Max. Speed 100 Hz.

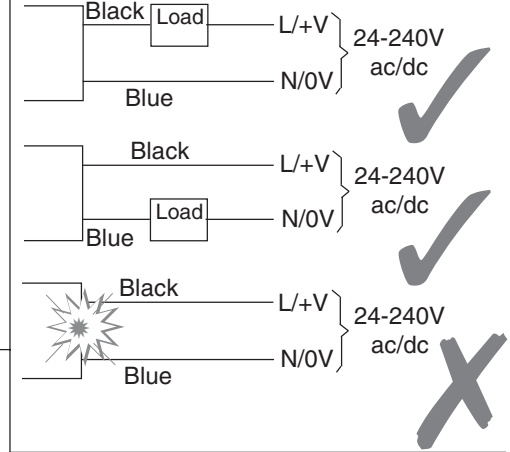
>P1002ATEXMAN 644-049(A)

ATEX Approved Inductive Proximity Sensor Type: P1002V10A

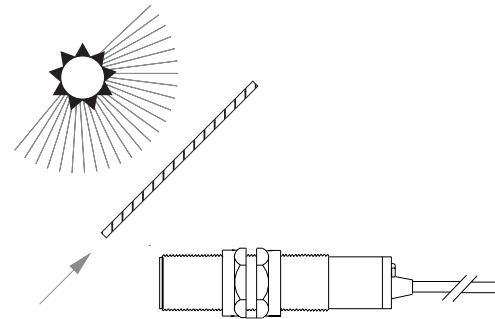
Dimensions - mm



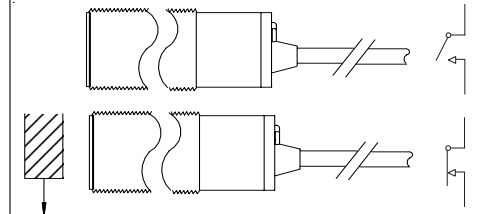
Connections



Protection



Output Mode



Approval



Approval No:
Baseefa03ATEX0593X

Category:
EXII 1D T100°C Tamb -15°C to +50°C IP65

Specification

Supply V 24-240V ac/dc.
I. min ≤ 1 mA.
V. drop 8V max.
Output Rating .. 200 mA max.
Max. Speed 100 Hz.

>P1002ATEXMAN 644-049(A)