

Solid State Relays System Monitoring Relays (Sense Relay) Type RA.... ..S



- System (line and load) monitoring relay
- Zero switching
- Rated operational current: 25, 50, 90 and 110 AACrms
- Rated operational voltage: 120, 230, 400 and 480 VACrms
- High surge current capability
- Alarm output signal
- LED indication for alarm and supply

Product Description

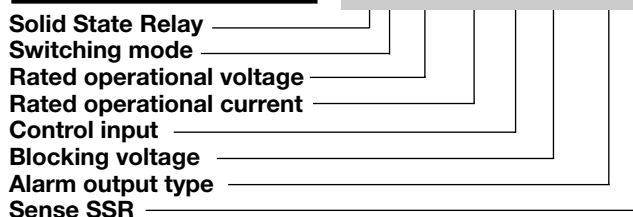
The system monitoring solid state relay (sense relay) provides an alarm output in the event of a circuit failure. Internal circuits monitor:

- line voltage/line current
- correct functioning of the SSR
- SSR input status

The relay is designed for applications where immediate fault detection is required. A red LED indicates an alarm, a green LED indicates DC control supply OK (half LED light intensity) resp. relay switched ON (full LED light intensity).

Ordering Key

RA 23 25 H 06 NO S



Type Selection

Switching mode	Rated operational voltage	Rated operational current input	Control voltage	Blocking Voltage	Alarm output
A: Zero switching	12: 120 VACrms 23: 230 VACrms 40: 400 VACrms 48: 480 VACrms	25: 25 AACrms 50: 50 AACrms 90: 90 AACrms 110: 110 AACrms	H: Active high	06: 650 V _p 10: 1000 V _p 12: 1200 V _p	NO: NPN, NO NC: NPN, NC PO: PNP, NO PC: PNP, NC

Selection Guide

Rated op. voltage	Control input	Alarm output type	Rated operational current			
			25 AACrms	50 AACrms	90 AACrms	110 AACrms
120 VACrms	Active high	NPN, NO	RA 1225 H06NOS	RA 1250 H06NOS	RA 1290 H06NOS	RA 12110 H06NOS
		NPN, NC	RA 1225 H06NCS	RA 1250 H06NCS	RA 1290 H06NCS	RA 12110 H06NCS
		PNP, NO	RA 1225 H06POS	RA 1250 H06POS	RA 1290 H06POS	RA 12110 H06POS
		PNP, NC	RA 1225 H06PCS	RA 1250 H06PCS	RA 1290 H06PCS	RA 12110 H06PCS
230 VACrms	Active high	NPN, NO	RA 2325 H06NOS	RA 2350 H06NOS	RA 2390 H06NOS	RA 23110 H06NOS
		NPN, NC	RA 2325 H06NCS	RA 2350 H06NCS	RA 2390 H06NCS	RA 23110 H06NCS
		PNP, NO	RA 2325 H06POS	RA 2350 H06POS	RA 2390 H06POS	RA 23110 H06POS
		PNP, NC	RA 2325 H06PCS	RA 2350 H06PCS	RA 2390 H06PCS	RA 23110 H06PCS
400 VACrms	Active high	NPN, NO	RA 4025 H10NOS	RA 4050 H10NOS	RA 4090 H10NOS	RA 40110 H10NOS
		NPN, NC	RA 4025 H10NCS	RA 4050 H10NCS	RA 4090 H10NCS	RA 40110 H10NCS
		PNP, NO	RA 4025 H10POS	RA 4050 H10POS	RA 4090 H10POS	RA 40110 H10POS
		PNP, NC	RA 4025 H10PCS	RA 4050 H10PCS	RA 4090 H10PCS	RA 40110 H10PCS
480 VACrms	Active high	NPN, NO	RA 4825 H12NOS	RA 4850 H12NOS	RA 4890 H12NOS	RA 48110 H12NOS
		NPN, NC	RA 4825 H12NCS	RA 4850 H12NCS	RA 4890 H12NCS	RA 48110 H12NCS
		PNP, NO	RA 4825 H12POS	RA 4850 H12POS	RA 4890 H12POS	RA 48110 H12POS
		PNP, NC	RA 4825 H12PCS	RA 4850 H12PCS	RA 4890 H12PCS	RA 48110 H12PCS

General Specifications

	RA12...06..S	RA23...06..S	RA40...10..S	RA48...12..S
Operational voltage range	60 to 140 VACrms	170 to 250 VACrms	150 to 440 VACrms	180 to 530 VAC
Blocking voltage	650 V _p	650 V _p	1000 V _p	1200 V _p
Zero voltage turn-on	≤ 15 V	≤ 15 V	≤ 15 V	≤ 25 V
Operational frequency range	45 to 65 Hz	45 to 65 Hz	45 to 65 Hz	45 to 65 Hz
Power factor cos φ	≥ 0.5 @ 120 VACrms	≥ 0.5 @ 230 VACrms	≥ 0.5 @ 400 VACrms	≥ 0.5 @ 480 VACrms
Approvals	UL, CSA	UL, CSA	UL, CSA	UL, CSA
CE-marking	Yes	Yes	Yes	Yes

Control Specifications

Supply voltage range	20 to 32 VDC	PNP Alarm output Alarm output voltage open Alarm output voltage @ 100 mA Alarm output current	0 VDC V _{cc} - 2 VDC ≤ 100 mA
Supply current @ 24 VDC	≤ 40 mA DC		
Response time pick-up @ 50 Hz	≤ 10 ms		
Response time drop-out @ 50 Hz	≤ 10 ms		
Active high control input Pick-up voltage Drop-out voltage Input current (V _c = 32 V)	Typ. 7 VDC Typ. 6.8 VDC ≤ 4 mA	NPN Alarm output Alarm output voltage open Alarm output voltage @ 100 mA Alarm output current	≤ 32 VDC 2 VDC ≤ 100 mA

Output Specifications

	RA..25.06..S	RA..50.06..S	RA..90.10..S	RA..110.12..S
Rated operational current AC 51	≤ 25 Arms	≤ 50 Arms	≤ 90 Arms	≤ 110 Arms
AC 53a	5 Arms	15 Arms	20 Arms	30 Arms
Min. operational load current	≤ 200 mA	≤ 250 mA	≤ 400 mA	≤ 500 mA
Non-rep. surge current t=10 ms	≤ 325 A _p	≤ 600 A _p	≤ 1150 A _p	≤ 1900 A _p
Off-state leakage current @ rated voltage and frequency	≤ 6 mA	≤ 6 mA	≤ 6 mA	≤ 6 mA
I ² t for fusing t=10 ms	≤ 525 A ² s	≤ 1800 A ² s	≤ 6600 A ² s	≤ 18000 A ² s
Critical dv/dt	≥ 500 V/μs	≥ 500 V/μs	≥ 500 V/μs	≥ 500 V/μs

Sense Specifications

	RA12..06..S	RA23..06..S	RA40..10..S	RA48..12..S
Current Sensed load current Non-sensed leakage current	≥ 50 mA ≤ 20 mA	≥ 50 mA ≤ 20 mA	≥ 50 mA ≤ 20 mA	≥ 50 mA ≤ 20 mA
Voltage Sensed line voltage Non-sensed line voltage	≥ 60 Vrms ≤ 30 Vrms	≥ 120 Vrms ≤ 50 Vrms	≥ 150 Vrms ≤ 80 Vrms	≥ 180 Vrms ≤ 100 Vrms
Timing Response time from fault to alarm output	≤ 100 ms	≤ 100 ms	≤ 100 ms	≤ 100 ms
Short-circuit of semiconductor	Will be sensed	Will be sensed	Will be sensed	Will be sensed

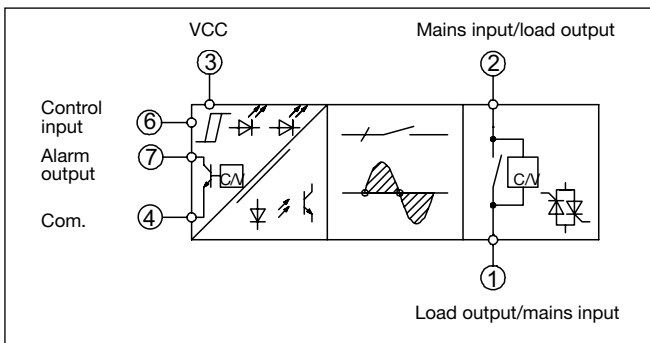
Thermal Specifications

	RA..25.....S	RA..50.....S	RA..90.....S	RA..110.....S
Operating temperature	-20° to +70°C (-4° to +158°F)	-20° to +70°C (-4° to +158°F)	-20° to +70°C (-4° to +158°F)	-20° to +70°C (-4° to +158°F)
Storage temperature	-40° to +100°C (-40° to +212°C)	-40° to +100°C (-40° to +212°C)	-40° to +100°C (-40° to +212°C)	-40° to +100°C (-40° to +212°C)
Junction temperature	≤ 125°C (257°F)	≤ 125°C (257°F)	≤ 125°C (257°F)	≤ 125°C (257°F)
R _{th} junction to case	≤ 1.25 K/W	≤ 0.65 K/W	≤ 0.35 K/W	≤ 0.30 K/W
R _{th} junction to ambient	≤ 12 K/W	≤ 12 K/W	≤ 12 K/W	≤ 12 K/W

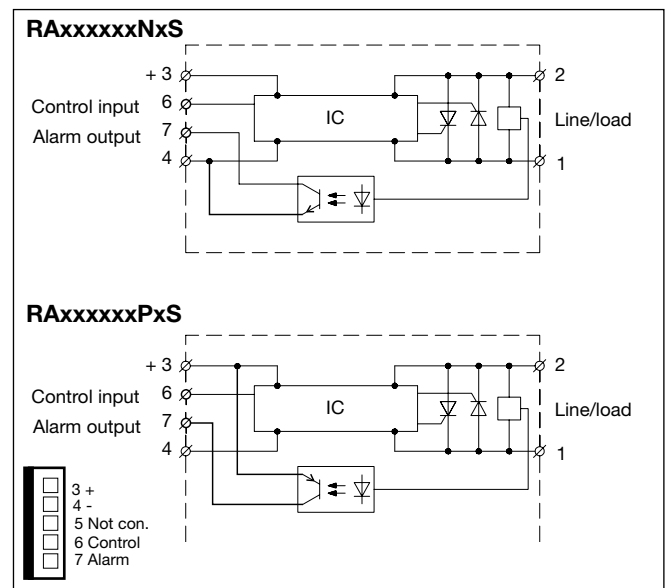
Isolation

Rated isolation voltage Input to output	≥ 4000 VACrms
Rated isolation voltage Output to case	≥ 4000 VACrms

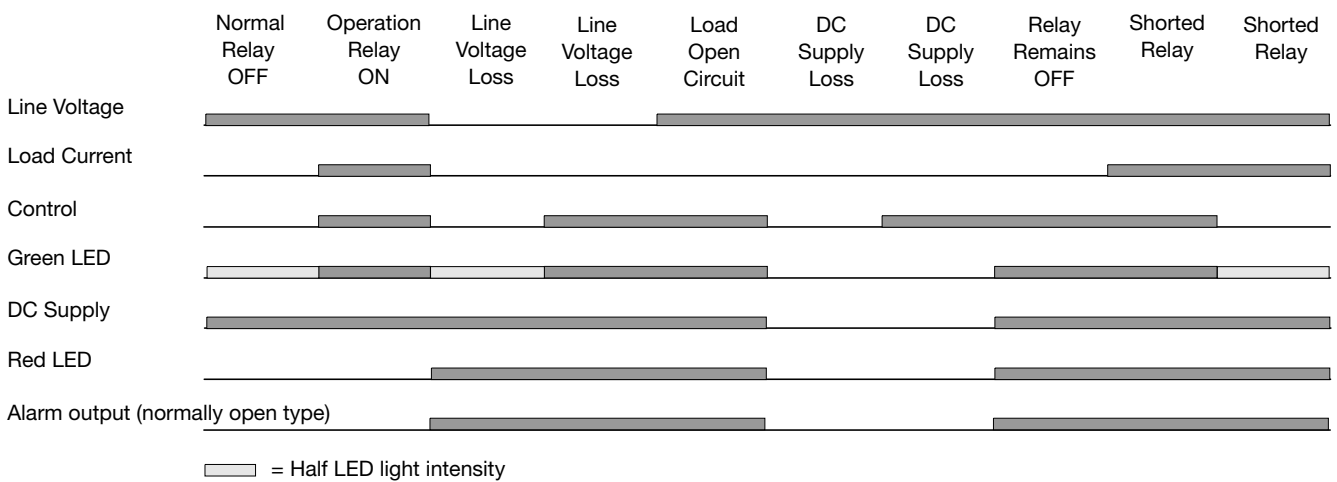
Functional Diagram



Wiring Diagrams



Operation Diagram





Heatsink Dimensions (load current versus ambient temperature)

RA ..25S

Load current [A]	Thermal resistance [K/W]						Power dissipation [W]
	20	30	40	50	60	70	
25	2	1.7	1.4	1	0.71	0.40	32
22.5	2.5	2.1	1.8	1.4	1	0.66	27
20	3.1	2.7	2.3	1.9	1.4	1	23
17.5	4	3.5	3	2.5	2	1.4	20
15	4.9	4.3	3.7	3.1	2.5	1.9	16
12.5	6.2	5.4	4.6	3.9	3.1	2.3	13
10	8.1	7.1	6.1	5.1	4	3	10
7.5	11.3	9.9	8.5	7.1	5.6	4.2	7
5	-	15.6	13.3	11.1	8.9	6.7	5
2.5	-	-	-	-	18.7	14	2

Ambient temp. [°C]

RA ..50S

Load current [A]	Thermal resistance [K/W]						Power dissipation [W]
	20	30	40	50	60	70	
50	0.92	0.76	0.60	0.45	0.29	-	63
45	1.2	0.99	0.80	0.62	0.44	0.26	55
40	1.5	1.3	1.1	0.85	0.63	0.42	47
35	1.9	1.6	1.4	1.1	0.89	0.63	40
30	2.4	2.1	1.8	1.5	1.2	0.91	33
25	3	2.7	2.3	1.9	1.5	1.1	26
20	3.9	3.5	3	2.5	2	1.5	20
15	5.5	4.8	4.1	3.4	2.7	2.1	15
10	8.6	7.5	6.4	5.4	4.3	3.2	9
5	17.9	15.6	13.4	11.2	8.9	6.7	4

Ambient temp. [°C]

RA ..90S

Load current [A]	Thermal resistance [K/W]						Power dissipation [W]
	20	30	40	50	60	70	
90	0.63	0.53	0.42	0.32	-	-	97
80	0.81	0.69	0.57	0.45	0.33	-	84
70	1	0.89	0.75	0.61	0.47	0.33	71
60	1.3	1.2	1	0.83	0.66	0.49	59
50	1.7	1.5	1.3	1.1	0.85	0.64	47
40	2.2	1.9	1.7	1.4	1.1	0.83	36
30	3.1	2.7	2.3	1.9	1.5	1.2	26
20	4.8	4.2	3.6	3	2.4	1.8	17
10	10	8.8	7.5	6.3	5	3.8	8

Ambient temp. [°C]

RA ..110S

Load current [A]	Thermal resistance [K/W]						Power dissipation [W]
	20	30	40	50	60	70	
110	0.43	0.35	0.27	-	-	-	126
90	0.63	0.53	0.42	0.32	-	-	97
80	0.81	0.69	0.57	0.45	0.33	-	84
70	1	0.89	0.75	0.61	0.47	0.33	71
60	1.3	1.2	1	0.83	0.66	0.49	59
50	1.7	1.5	1.3	1.1	0.85	0.64	47
40	2.2	1.9	1.7	1.4	1.1	0.83	36
30	3.1	2.7	2.3	1.9	1.5	1.2	26
20	4.8	4.2	3.6	3	2.4	1.8	17
10	10	8.8	7.5	6.3	5	3.8	8

Ambient temp. [°C]

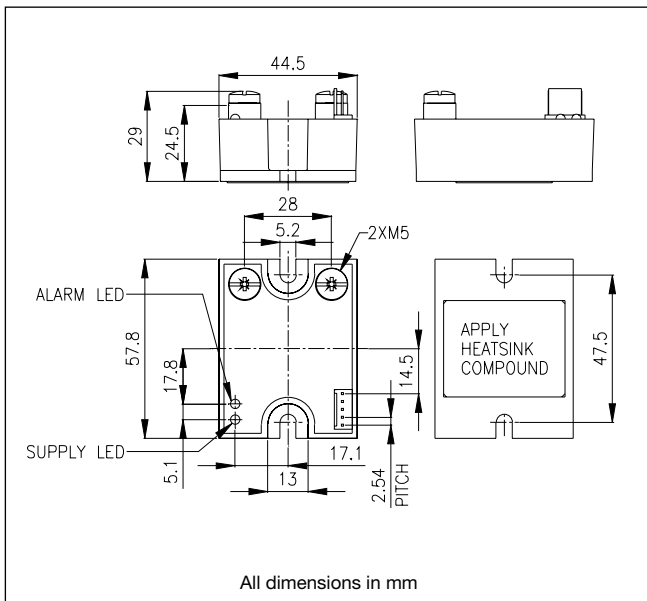
Heatsink Selection

Carlo Gavazzi Heatsink (See "General Accessories")	Thermal resistance..	...for power dissipation
No heatsink required	---	N/A
RHS 300	5.00 K/W	> 0 W
RHS 100	3.00 K/W	> 25 W
RHS 45C	2.70 K/W	> 60 W
RHS 45B	2.00 K/W	> 60 W
RHS 90A	1.35 K/W	> 60 W
RHS 45C plus fan	1.25 K/W	> 0 W
RHS 45B plus fan	1.20 K/W	> 0 W
RHS 112A	1.10 K/W	> 100 W
RHS 301	0.80 K/W	> 70 W
RHS 90A plus fan	0.45 K/W	> 0 W
RHS 112A plus fan	0.40 K/W	> 0 W
RHS 301 plus fan	0.25 K/W	> 0 W
Consult your distributor	> 0.25 K/W	N/A
Infinite heatsink - No solution	---	N/A

Housing Specifications

Weight	Approx. 110 g
Housing material	Noryl GFN 1, black
Base plate 25, 50 A 90, 110 A	Aluminium, nickel-plated Coper, nickel-plated
Potting compound	Polyurethane
Relay	
Mounting screws	M5
Mounting torque	≤ 1.5 Nm
Power terminal	
Mounting screws	M5 x 6
Mounting torque	≤ 2.4 Nm
Control connector	5 pole, centre distance 2.54 mm

Dimensions



Accessories

Heatsinks
 DIN rail adapter
 Varistors
 Fuses
 Connector for ribbon cable: Methode 1300-105-424
 Header for PCB mounting: Methode 1100-8-105-01
 Ribbon cable: 5 x 0.5 mm²,
 centre distance 2.54 mm

Ribbon Cable Selection

RCS 5-200-0*

R-System _____
 Cable sense _____
 5-wire _____
 Cable length in cm _____

* 0: No connector mounted (Method 1300-105-424)
 1: 1 connector mounted
 2: 2 connectors mounted