

MAIN FEATURES

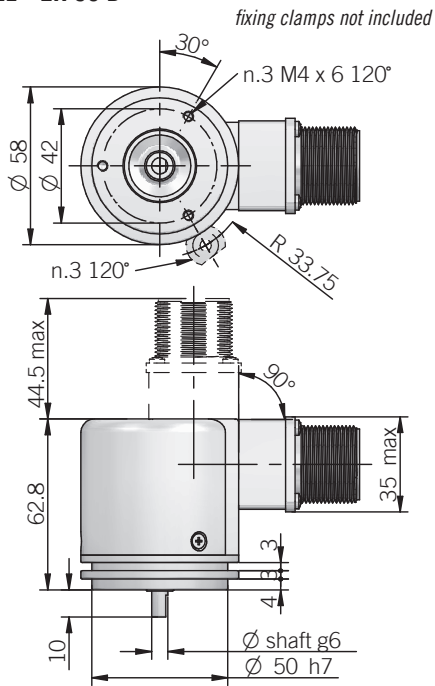
Standard \varnothing 58 mm encoder series for industrial applications with high mechanical resistance requirements. These encoders are designed to support high radial and axial shaft load and they can be mounted by means of flanges or fixing clamps.

- 3 channel encoder (A / B / Z) up to 24000 ppr
- Power supply up to +28 VDC with several electronic interfaces available
- Up to 500 kHz output frequency
- Cable or connector output
- Available with metal cover for heavy duty applications
- Solid shaft diameter up to 12 mm
- Mounting by synchronous, clamping or coupling flange

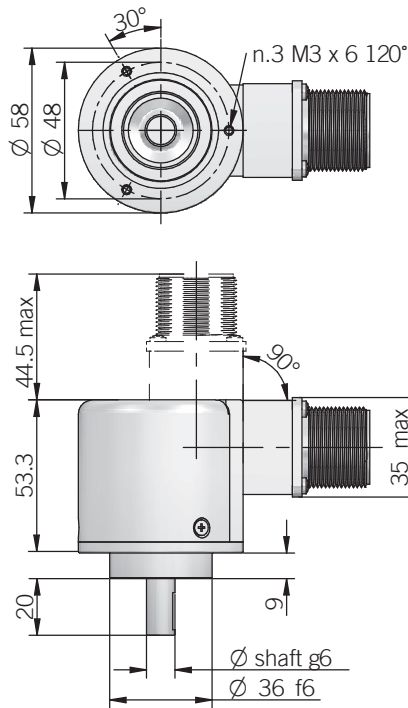


| ORDERING CODE | ER | 58C | M* | 500 | S | 5/28 | N | 8 | X | 6 | P | R | .XXX |
|--|----|-----|----|-----|---|------|---|---|---|---|---|---|------|
| <p>SERIES incremental encoder series EL incremental encoder series ER</p> <p>MODEL synchronous flange \varnothing 50 mm 58B clamping flange \varnothing 36 mm 58C clamping flange \varnothing 50 mm 58H coupling flange \varnothing 40 mm 58T</p> <p>METAL COVER * add for the metal cover M</p> <p>RESOLUTION ppr from 1 to 24000 see table for pulses availability</p> <p>ZERO PULSE without zero pulse S with zero pulse Z</p> <p>POWER SUPPLY (with L electronic interface) 5 V DC 5 (with L or PC electronic interface) 8 ... 24 V DC 8/24 5 ... 28 V DC 5/28</p> <p>ELECTRONIC INTERFACE NPN N NPN open collector C push-pull P push-pull protected (AEIC-7272) PC line driver L power supply 5/28V - output RS-422 RS</p> <p>SHAFT DIAMETER (mod. B) mm 6 (mod. C) mm 8 (mod. B / C / H) 9,52 (3/8") mm 9 mm 10 (mod. T) mm 12</p> <p>ENCLOSURE RATING IP 54 X IP 66 S</p> <p>MAX ROTATION SPEED (IP 66) 3000 rpm 3 (IP 54) 6000 rpm 6</p> <p>OUTPUT TYPE cable (standard length 1,5 m) P MIL connector M JIS-C-5432 connector J M12 connector M12 M23 connector H IP40 IEC 60130-9 connector C <i>female connector included, without female please add 162 as variant code</i></p> <p>DIRECTION TYPE axial A radial R</p> <p>VARIANT custom version XXX</p> | | | | | | | | | | | | | |

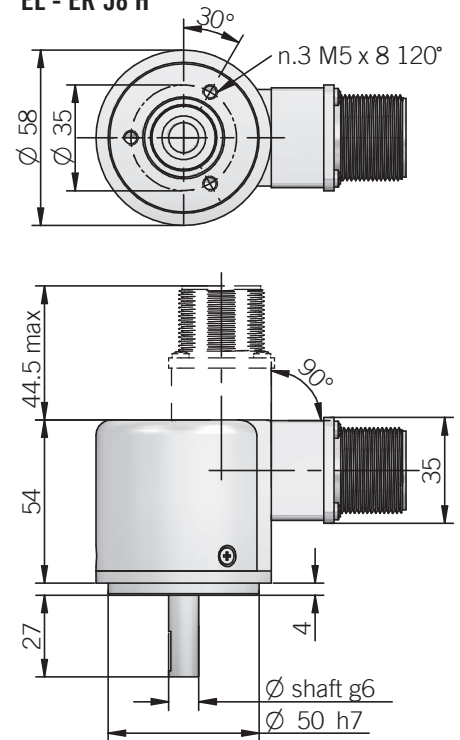
EL - ER 58 B



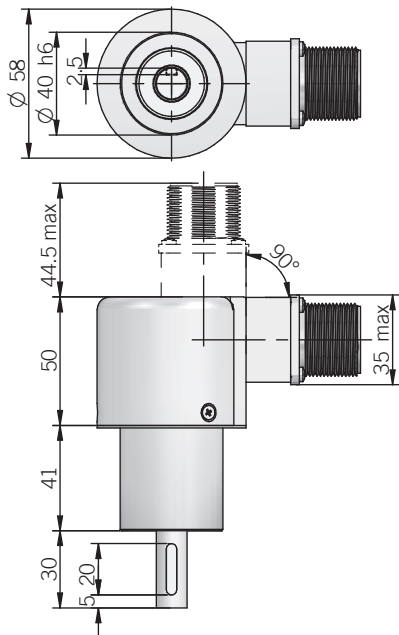
EL - ER 58 C



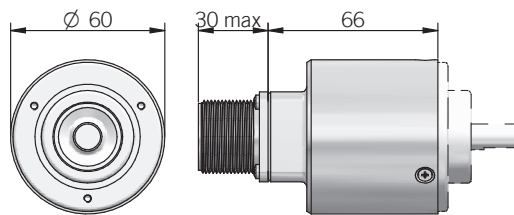
EL - ER 58 H



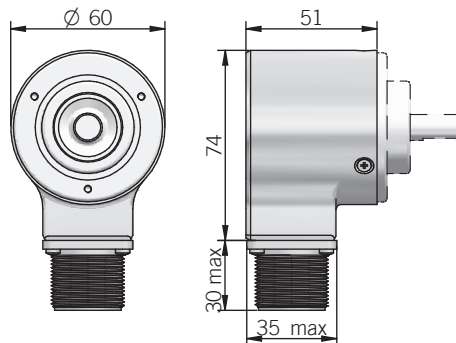
EL - ER 58 T



Dimension with metal cover axial output



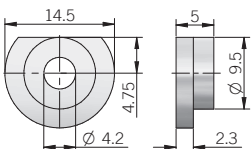
Dimension with metal cover radial output



dimensions in mm

ACCESSORIES

set n.3 fixing clamps for model 58 B
P/N 94080001



ELECTRICAL SPECIFICATIONS

| | |
|--------------------------------------|---|
| Resolution | from 1 to 24000 ppr |
| Power supply | 5 = 4,5 ... 5,5 V DC 5/28 = 4,75 ... 29,4 V DC 8/24 = 7,6 ... 25,2 V DC (reverse polarity protection) |
| Power draw without load | 800 mW |
| Max load current | N / C / P / PC = 50 mA / channel L / RS = 20 mA / channel |
| Output type* | NPN / NPN open collector / push-pull / line driver |
| Max output frequency | 250 kHz up to 6000 ppr 500 kHz from 7200 ppr |
| Counting direction | A leads B clockwise (shaft view) |
| Electromagnetic compatibility | IEC 61000-6-2 IEC 61000-6-4 |

*output levels according to power supply, for further details please see under Technical basics section

EL SERIES RESOLUTIONS

1 - 2 - 4 - 5 - 10 - 15 - 16 - 20 - 25 - 30 - 32 - 40 - 50 - 60 - 70 - 80 - 90 - 160 - 180 - 350 - 450 - 660 - 700

ER SERIES RESOLUTIONS

100 - 120 - 128 - 150 - 200 - 240 - 250 - 256 - 300 - **360** - 400 - 480 - **500** - **512** - **600** - 625 - **720** - 750 - 800 - 900 - **1000** - **1024** - 1200 - 1250 - 1440 - 1500 - 1600 - 1800 - **2000** - **2048** - **2500** - 3000 - **3600** - 4000 - 4096 - **5000** - 6000 - **7200** - 8000 - 8192 - 9000 - **10000** - 10240 - 12000 - **14400** - 16000 - 16384 - 18000 - **20000** - 20480 - 24000

please directly contact our offices for other pulses, preferred resolutions in bold

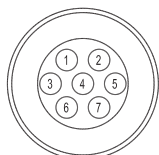
MECHANICAL SPECIFICATIONS

| | |
|---|--|
| Shaft diameter | ø 6 / 8 / 9,52 (3/8") / 10 / 12 mm |
| Enclosure rating | X = IP 54 (IEC 60529) S = IP 66 (IEC 60529) |
| Max rotation speed | X = 6000 rpm S = EL 3000 rpm / 60° C ER 3000 rpm / 70° C - 2000 rpm / 85° C |
| Max shaft load | 10 N axial / 20 N radial with ø6 mm shaft 200 N axial / radial |
| Shock | 50 G, 11 ms (IEC 60068-2-27) |
| Vibration | 10 G, 10 ... 2000 Hz (IEC 60068-2-6) |
| Moment of inertia | 1,5 x 10 ⁻⁶ kgm ² |
| Starting torque (at +20°C / +68°F) | < 0,02 Nm (IP 54) < 0,06 Nm (IP 66) |
| Body material | EN-AW 2011 aluminum |
| Shaft material | 1.4305 / AISI 303 stainless steel |
| Housing material | PA66 glass fiber reinforced / painted aluminum |
| Bearings | 2 ball bearings |
| Bearings life | 10 ⁹ revolutions |
| Operating temperature | -10° ... +60°C (+14° ... +140°F) EL series -25° ... +85°C (-13° ... +185°F) ER series |
| Storage temperature | -25° ... +70°C (-13° ... +158°F) |
| Weight | 350 g (12,35 oz) 450 g (15,87 oz) with metal cover |

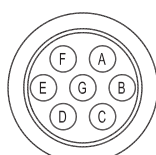
CONNECTIONS

| Function | Cable output | Cable output | 7 pin J output | 7 pin J output | 7 pin M output | 7 pin M output | 10 pin J output | 10 pin M output | 5 pin M12 output | 8 pin M12 output | 12 pin H output | 5 pin C output | 8 pin C output |
|----------|----------------|--------------|----------------|---------------------|----------------|---------------------|-----------------------|-----------------------|------------------|------------------|-----------------|----------------|----------------|
| | N / C / P / PC | Line driver | N / C / P / PC | Line Driver no Zero | N / C / P / PC | Line Driver no Zero | Line Driver with Zero | Line Driver with Zero | N / C / P / PC | Line Driver | CCW | N / C / P / PC | Line Driver |
| +V DC | red | red | 6 | 4 | F | D | 4 - 5 | D - E | 2 | 7 | 12 | 5 | 7 |
| 0 V | black | black | 1 | 6 | A | F | 6 | F | 4 | 1 | 10 | 1 | 8 |
| Ch. A | green | green | 3 | 1 | C | A | 1 | A | 3 | 6 | 5 | 2 | 1 |
| Ch. A- | / | brown | / | 3 | / | C | 7 | G | / | 5 | 6 | / | 2 |
| Ch. B | yellow | yellow | 5 | 2 | E | B | 2 | B | 1 | 4 | 8 | 4 | 3 |
| Ch. B- | / | orange | / | 5 | / | E | 8 | H | / | 3 | 1 | / | 4 |
| Ch. Z | blue | blue | 4 | / | D | / | 3 | C | 5 | 2 | 3 | 3 | 5 |
| Ch. Z- | / | white | / | / | / | / | 9 | I | / | 8 | 4 | / | 6 |
| ⊥ | shield | shield | 7 | 7 | G | G | 10 | J | housing | housing | 9 | / | / |

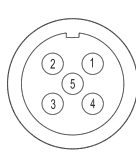
J connector (7 pin)
JIS-C-5432 Size 16
solder side view FV



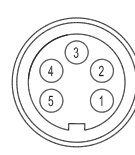
M connector (7 pin)
Amphenol MS3102-E-16-S
solder side view FV



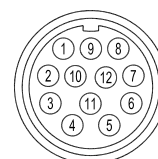
M12 connector (5 pin)
M12 A coded
solder side view FV



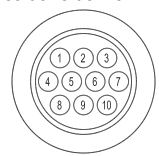
C connector (5 pin)
IEC 60130-9
solder side view FV



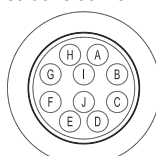
H connector (12 pin) - M23 CCW
Hummel 7.410.000000 -
7.002.912.603
solder side view FV



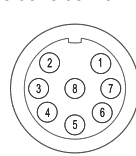
J connector (10 pin)
JIS-C-5432 Size 16
solder side view FV



M connector (10 pin)
Amphenol MS3102-E-18-1
solder side view FV



M12 connector (8 pin)
M12 A coded
solder side view FV



C connector (8 pin)
IEC 60130-9
solder side view FV

