

# MUSHROOM TYPE PUSH BUTTON CONTROL UNITS

series  
**DP - DFP**

Protection	Gas	1-2	II2G	Ex d IIC or IIB+H <sub>2</sub> Gb
	Dusts	Zone 21-22	II2D	Ex tb IIIC Db

Grade of Protection	IP 66
---------------------	-------

Amb. Temp.	Standard	-20°C	+40°C
	Extended	-50°C	+80°C



Standards and Certificates



Directive 2014/34/EU (ATEX)

EN 60079-0 • EN 60079-1 • EN 60079-31

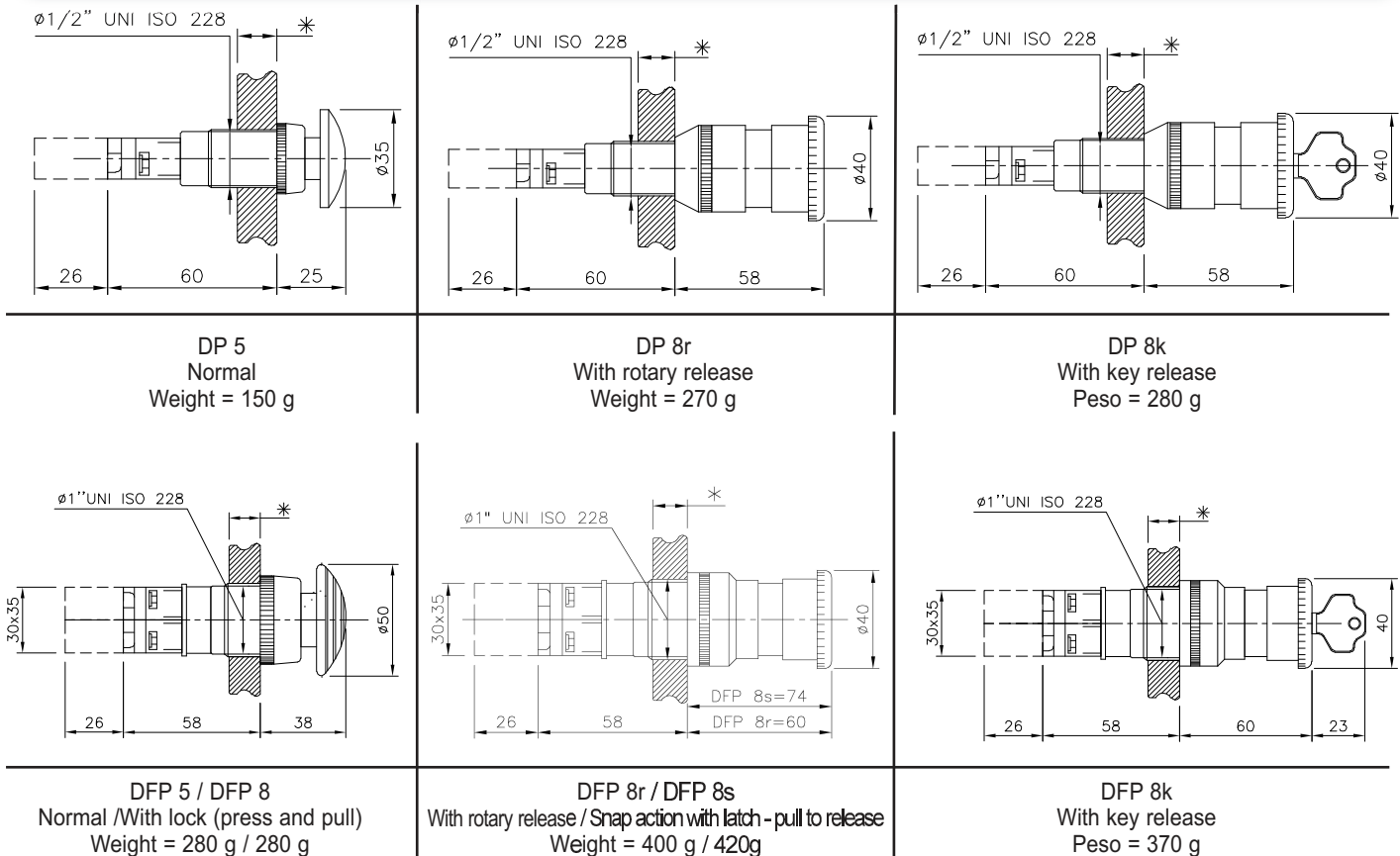
U INERIS 14 ATEX 9009U



IEC 60079-0 • IEC 60079-1 • IEC 60079-31

IECEX INE 14.0023U

- For COELBO enclosures series CCA - CCF (see section B)
- The 1/2" Series for its compact size allows to reduce the overall dimensions of the enclosures where they are mounted
- Body in Zinc plated brass
- Rings in Chrome plated brass and/or Chrome plated polycarbonate
- Drive shaft in Stainless Steel
- Mushroom push button in painted Aluminum or plastic.



Ø 1/2"		Ø 1"		Units
Code	Contacts	Code	Contacts	
DP 5	NO + NC	DFP 5	NO+ NC	Normal (with spring return and no lock)
-		DFP 8		With lock (press and pull)
DP 8r		DFP 8r		With rotary release
DP 8k		DFP 8k		With key release

**NOTES**

The control units get same temperature class as the housing on which they are mounted.

These units shall be installed on enclosure with volume up to 160,6 dm<sup>3</sup> for group IIB+H<sub>2</sub> and up to 62,9 dm<sup>3</sup> for group IIC.

These units may be mounted on electrical equipment suitable for group I-M2 (firedamp mines) if no component is made of light alloy.

The resulting mode of protection will be Ex d I Mb.

(\*) See page B11 for CCA and page B21 for enclosures CCF.

**Order Coding**

**Example: DP 8r**

Type	Element (see Table)
DP = 1/2" unit	8r = rotary release
DFP = 1" unit	