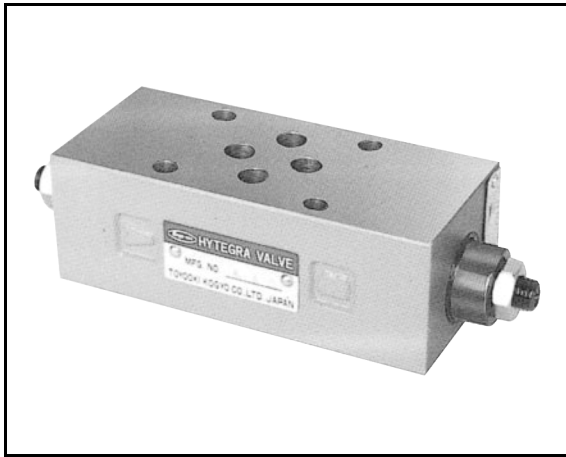


THROTTLE VALVE (HF3H) SIZE 025 / 03 / 06



SPECIFICATIONS

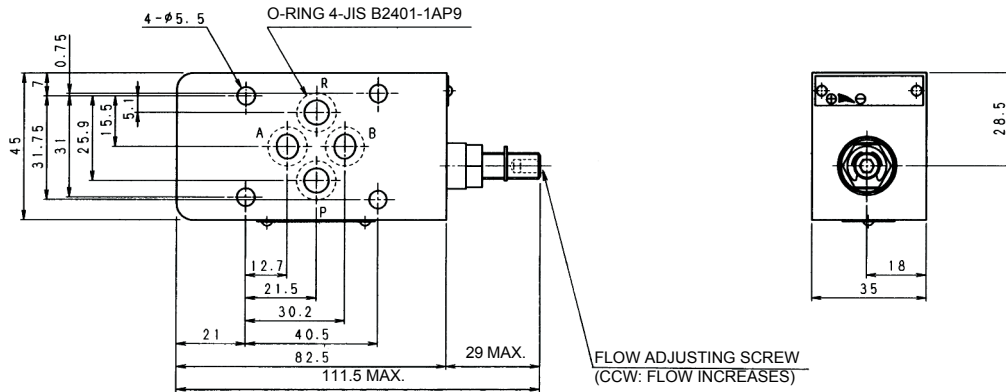
Controlled Port	Type	Model	Max. Operating Pressure (MPa)	Flow Adjustment Range (L/min)	Cracking Pressure of Check Valve (MPa)	Symbol
P	—	HF3H-P-40-025B	25	0.5 to 40	—	
		HF3H-P-80-03	21	0.5 to 80		
		HF3H-P-190-06		1.0 to 190		
R	—	HF3H-R-40-025B	25	0.5 to 40	0.04	
A	Meter-out	HF3H-A-40K-025B	25	0.5 to 40	0.04	
		HF3H-A-80K-03	21	0.5 to 80		
		HF3H-A-190K-06		1.0 to 190		
	Meter-in	HF3H-AY-40K-025B	25	0.5 to 40		
		HF3H-AY-80K-03	21	0.5 to 80		
		HF3H-AY-190K-06		1.0 to 190		

SPECIFICATIONS

Controlled Port	Type	Model	Max. Operating Pressure (MPa)	Flow Adjustment Range (L/min)	Cracking Pressure of Check Valve (MPa)	Symbol
B	Meter-out	HF3H-B-40K-025B	25	0.5 to 40	0.04	
		HF3H-B-80K-03	21	0.5 to 80		
		HF3H-B-190K-06		1.0 to 190		
	Meter-in	HF3H-BY-40K-025B	25	0.5 to 40		
		HF3H-BY-80K-03	21	0.5 to 80		
		HF3H-BY-190K-06		1.0 to 190		
A / B	Meter-out	HF3H-W-40K-025B	25	0.5 to 40	0.04	
		HF3H-W-80K-03	21	0.5 to 80		
		HF3H-W-190K-06		1.0 to 190		
	Meter-in	HF3H-WY-40K-025B	25	0.5 to 40		
		HF3H-WY-80K-03	21	0.5 to 80		
		HF3H-WY-190K-06		1.0 to 190		

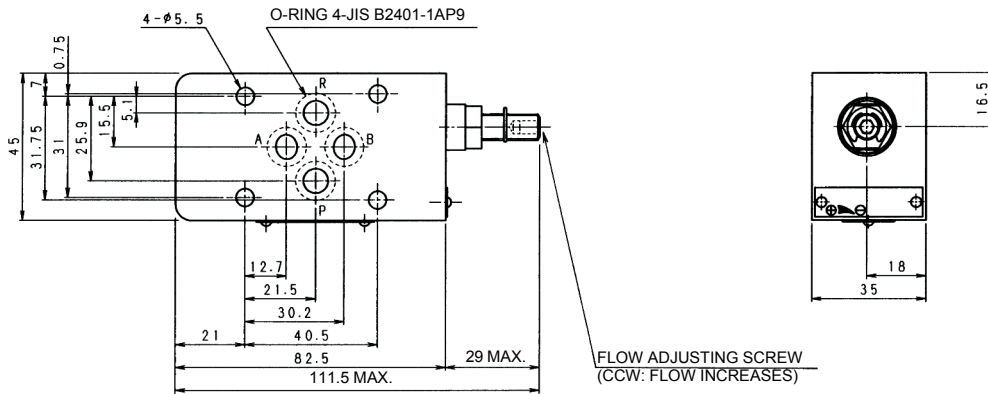
EXTERNAL DIMENSIONS

● HF3H-P-40-025B



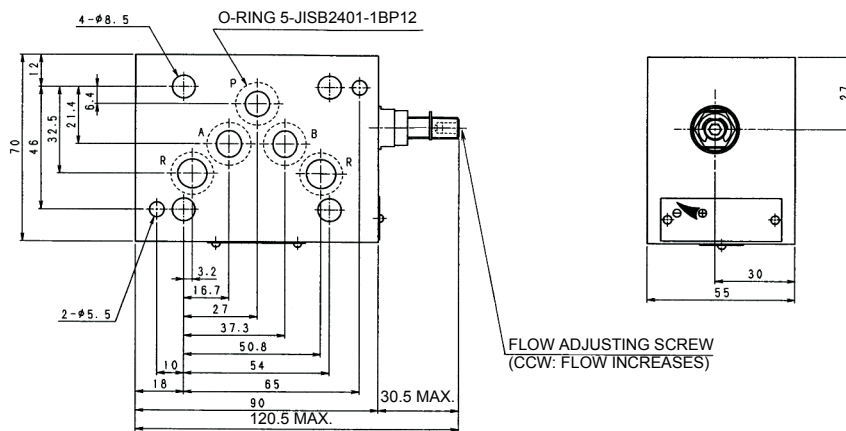
MASS: 0.9 kg

● HF3H-P-40-025B



MASS: 0.9 kg

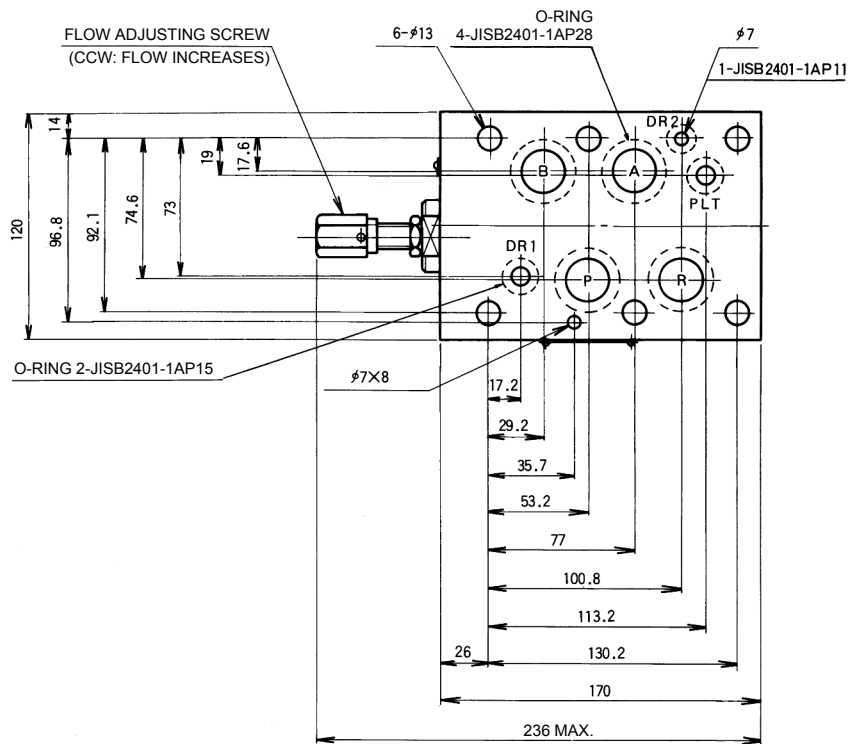
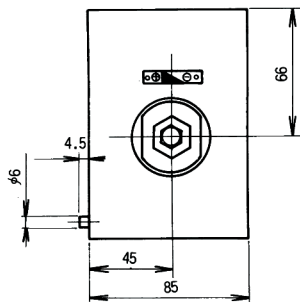
● HF3H-P-80-03



MASS: 2.0 kg

EXTERNAL DIMENSIONS

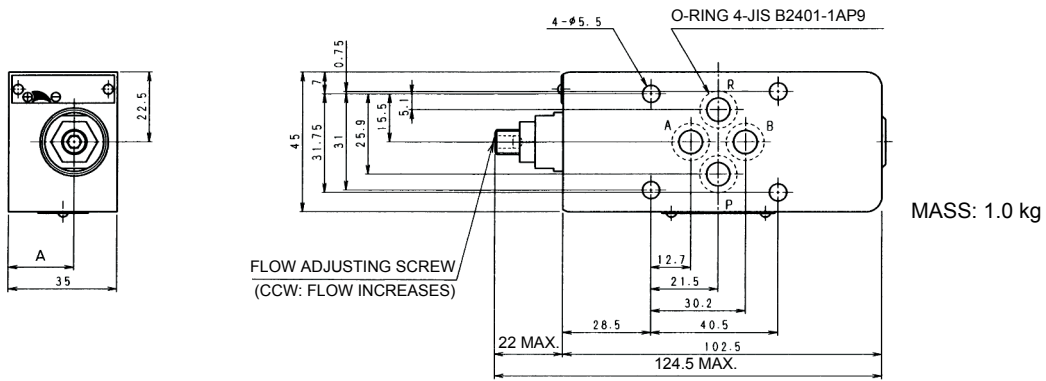
● HF3H-P-190-06



MASS: 10.5 kg

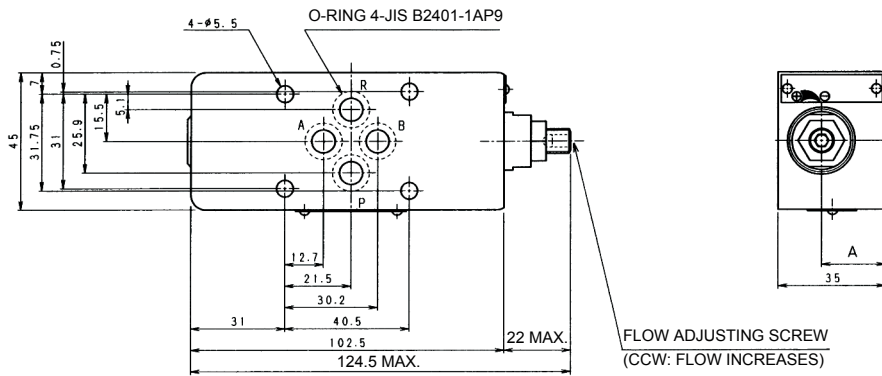
EXTERNAL DIMENSIONS

● HF3H-A(Y)-40K-025B



MASS: 1.0 kg

● HF3H-B(Y)-40K-025B



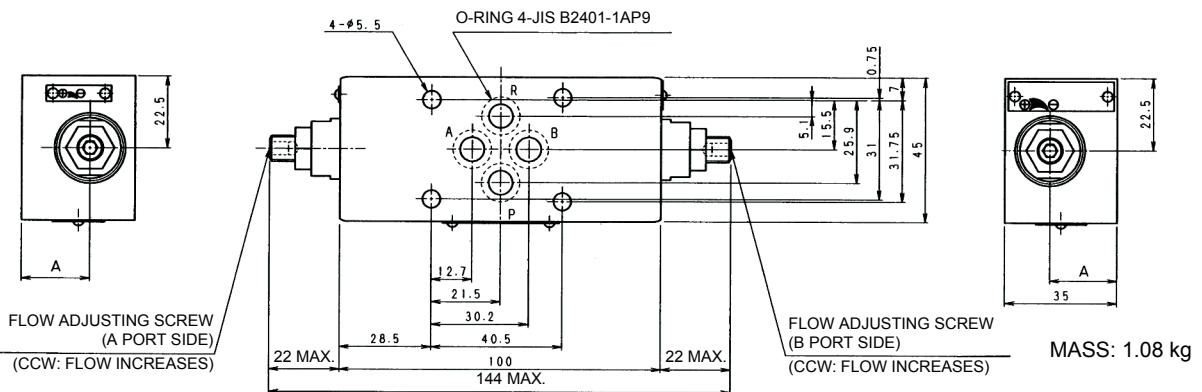
MASS: 1.0 kg

● Dimension Table

Unit: mm

Model	Dimension A
HF3H-A-40K-025B	21
HF3H-AY-40K-025B	14
HF3H-B-40K-025B	21
HF3H-BY-40K-025B	14

● HF3H-W(Y)-40K-025B



MASS: 1.08 kg

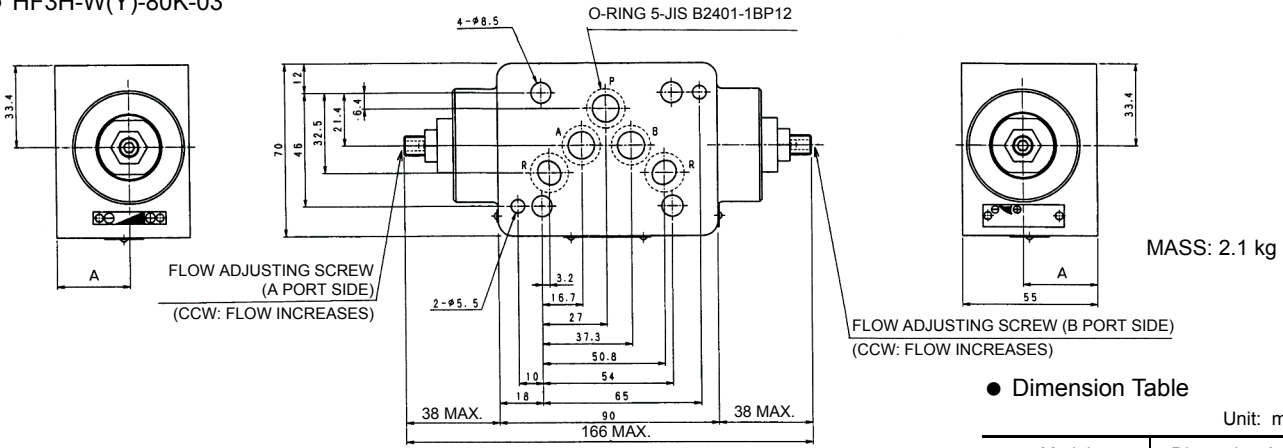
● Dimension Table

Unit: mm

Model	Dimension A
HF3H-W-40K-025B	21
HF3H-WY-40K-025B	14

EXTERNAL DIMENSIONS

● HF3H-W(Y)-80K-03

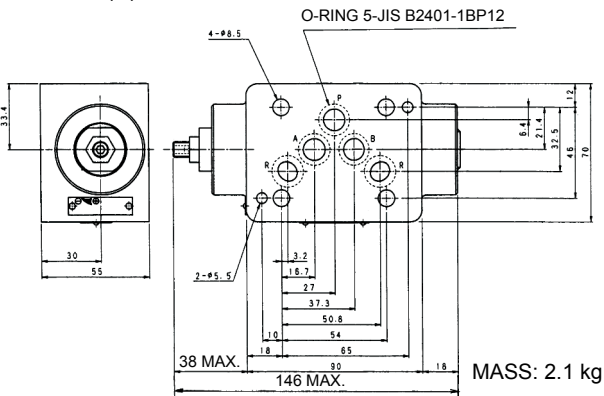


● Dimension Table

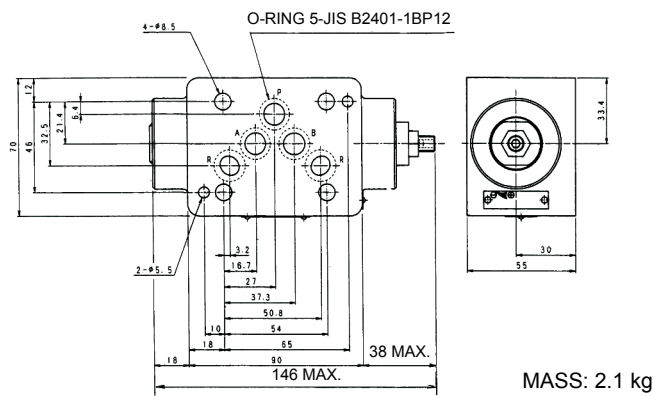
Unit: mm

Model	Dimension A
HF3H-W-80K-03	30
HF3H-WY-80K-03	25

● HF3H-A(Y)-80K-03



● HF3H-B(Y)-80K-03



● HF3H-*(Y)-190K-06 (FOR A / B PORT CONTROL)

