

Flush-mounted pressure and level transmitters - PZM/VRM modular system series 100/101 -



FEATURES

- **EHEDG-ASEPTIC CLASS I CERTIFIED MODULAR PROCESS CONNECTION SYSTEM**
- **PRECISE MEASUREMENTS WITH $\leq \pm 0.15\%$ FS**
- **TURN-DOWN 10**
- **INTEGRATED OR EXTERNAL OPUSM DISPLAY AND OPERATING MODULE**
- **DIRECT ENTRY OF PARAMETERS WITH PLAIN TEXT DISPLAY**
- **VACUUM-PROOF AND EXTREMELY OVERLOAD SAFE**
- **EASY TO CLEAN AND HIGH PROTECTION CLASSES IP67 AND IP69K**
- **APPLICATION STRENGTHS: CONTENT AND PROCESS PRESSURE MEASUREMENTS / VACUUM MEASUREMENTS UNDER HIGH TEMPERATURES**

DESCRIPTION

The PZM and VRM pressure transmitters are suitable for taking pressure and filling level measurements in pipelines and containers. The modular process connection system offers a wide range of connection adapters and helps to cut costs in the long term. The flush-mounted process connection with O-ring seal and stainless steel membrane is certified to EHEDG type EL-ASEPTIC CLASS 1 and is thus predestined for measurements which satisfy even the most stringent hygiene requirements.

The sensor measuring ranges of the piezoresistive vacuum-proof measuring cell with stainless steel membrane of the PZM pressure transmitters range from $-1/0 \dots 0.35\text{bar}$ to $-1/0 \dots 100\text{bar}$. The VRM pressure transmitters feature a capacitive measuring cell with ceramic membrane and are designed to measure from $-1/0 \dots +4\text{bar}$ to $-1/0 \dots +70\text{bar}$ or $0 \dots 4\text{bar}$ to $0 \dots 70\text{bar}$. Given their high overload protection, they are ideal for taking measurements under conditions where pressure shocks and cavitation are possible. Special measuring ranges are possible for both versions.

Flush-mounted pressure and level transmitters

- PZM/VRM modular system series 100/101 -



All the pressure transmitters in series 100/101 are designed for universal applications and, in particular, for applications with constantly high temperatures of up to 200°C. Furthermore, using the on-site display with series 100 and the display and operating module OPUS M in series 101, the pressure transmitters can be simply read out, configured and diagnosed.

TECHNICAL DATA

General details									
Device type / measuring principle	PZM 100/101: piezoresistive VRM 100/101: capacitive								
Input									
Measuring ranges	PZM 100/101				VRM 100/101				
Standard nominal measuring ranges [bar]	relative	OP	absolute	OP	relative	OP	absolute	OP	
OP = overload protection [bar]	0...0.35	1			-1/0...4	25	0...4	25	
	0...1	3	0...1	3	-1/0...10	40	0...10	40	
	-1/0...2.5	8	0...2.5	8	-1/0...20	40	0...20	40	
	-1/0...5	15	0...5	15	-1/0...40	60	0...40	60	
Special measuring ranges are available on request. All measuring cells are vacuum-proof	-1/0...10	30	0...10	30	-1/0...70	105	0...70	105	
	-1/0...30	90	0...30	90					
	-1/0...100	250	0...100	250					
Setting the measuring ranges	Via the keypad of the OPUS M display and operating module / via the integrated on-site display								
Setting ranges	Start the measuring zero:	0...90% of the sensor's nominal measuring span					TD=10		
	Measuring span:	10...100% of the sensor's nominal measuring span							
Burst pressure DIN16086	≥ 4-fold measuring range								
Output									
Output signal	2-wire: 4...20mA with a test circuit connection in the device								
Fault signal	Optional: 3.8mA, 22mA, hold (i.e. holding the last value)								
Current limitation	3.85mA and 21.5mA (normal operation)								
Integration time	Continuously selectable between 0 and 300s (setting time after a pressure leap)								
Measuring accuracy									
Reference conditions	acc. to DIN IEC 770								
Linearity, hysteresis and repeatability as per the limit point method DIN IEC 770	≤ ± 0.15% of the sensor's nominal measuring range								
Activation time	< 5s (the device will carry out a self-test.)								
Setting time (without damping)	< 200ms								
Long-time drift	≤ 0.2% of the span per year								
Thermal hysteresis	≤ ± 0.75% beginning of the measuring range / ≤ ± 0.8% end of the measuring range (VRM) ≤ ± 0.2% of the sensor's nominal measuring range / 10K (-20...+80°C) from 4 bar (PZM) ≤ ± 0.3% of the sensor's nominal measuring range / 10K (-20...+80°C) up to 0.6 bar (PZM)								
Conditions of use									
Installation position / calibration position	Any position / standing vertically								
Medium temperature	PZM:	T1:	-40...+125°C (140°C over one hour at the most)						
		T2:	-40...+200°C (high-temperature version)						
	VRM:	-40...+140°C							
Ambient storage temperature	Type 101:	-40...+85°C							
	Type 100:	-30...+75°C							
	(Below -20°C cable breakage might occur and the display's function may be impaired.)								
Protection class acc. to EN60529	IP 67 and IP 69K								
Electromagnetic compatibility	Sensitivity against interference: acc. to DIN IEC 61000-6-2 Interference radiation: acc. to DIN IEC 61000-6-4								
Construction									
Electrical connection	- Standard: cable screw connection M16x1.5, nickel-plated brass, stainless steel available on request - Optional: round plug-in connector M12x1, nickel-plated brass, stainless steel available on request - Optional: angle plug acc. to EN 175301-803 - Optional: reference cable								
Process connection	- Membrane, flush-welded on the front, CrNiSt, other materials available on request - EHEDG type EL-ASEPTIC CLASS 1, certified connection system PZM / VRM with press screw M38x1.5 and elastomer sealing - Process seal EPM (FDA) (temperature range: -20...+150°C) - Process seal FPM (FDA) (temperature range: -40...+200°C)								

Flush-mounted pressure and level transmitters - PZM/VRM modular system series 100/101 -

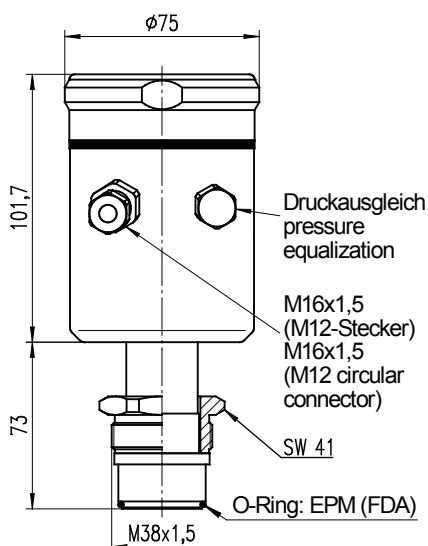
TECHNICAL DATA

Construction		
Materials	- Field housing / lid: - Housing seal: - Pressure compensation element: - Inspection gauge (type 100): - Process connection / connection adapter: - Process membrane: - Locking screw (type 101): - Reference cable: 5-wire with reference tube:	CrNiSt 1.4301 (304) FPM (Viton®) polyamide polycarbonate CrNiSt 1.4404 (316L) CrNiSt 1.4435/1.4404 (316L) CrNiSt 1.4301 (304) PUR (recommended: 80m maximum)
Filling fluid	PZM: silicon oil (FDA) VRM: medical mineral oil (FDA)	
Display and operation		
Display	LCD, 4-digit numerical display and 5-digit alphanumeric display Type 100: integrated on-site display (cannot be separated from device) Type 101: external OPUSM display and operating module	
Displayable units	Pressure: mbar, bar, psi, Pa, mH ₂ O, mmHg, Torr, atm, at, kg/cm ² Temperature*1: °C, °F, K, °R, °Ré	
Additional displays	Output current in mA or % (in relation to the span)	
Operation	100: via the configuration menu with the integrated on-site display 101: via the configuration menu with the external OPUSM display and operating module	
Auxiliary energy resources		
Power supply / burden	12-36V DC, max. burden: (Vsupply – 12V) / 24mA	
Accessories 100 series		
OPUSM display and operating module	External display and operating module, CrNiSt, IP 67, 41x70mm, 1m connection cable and round plug-in connector M12x1	
Certificates	Calibration certificate Declaration of conformity Material inspection certificates as per EN 10204 EHEDG certificate	
Process connection adapter	See order information	

*1 only pressure and filling level transmitter PZM100 / PZM101

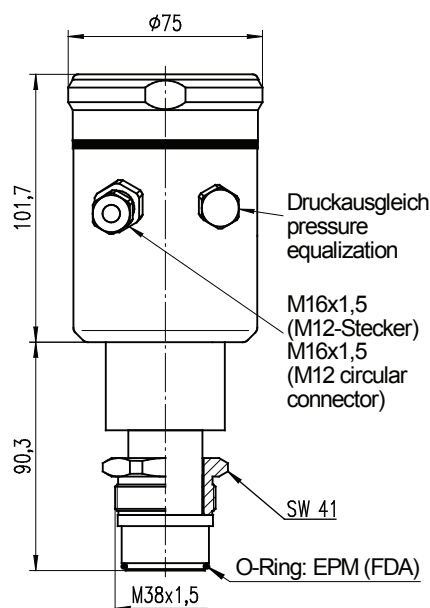
DIMENSIONED DRAWINGS (dimensions in mm)

PIEZOMESS 100 ... _K(M)



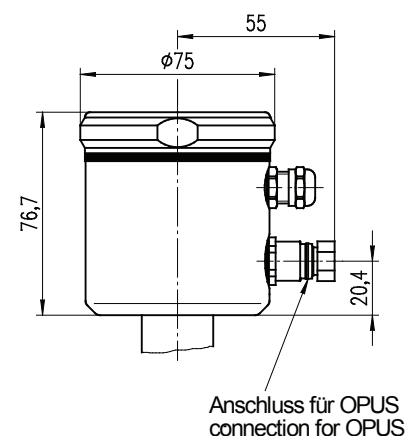
Feldgehäuse mit integrierter Anzeige
(Edelstahl, IP67 + IP69K EN 60529)
field-housing with integrated display
(stainless steel, IP67 + IP69K EN 60529)

VARIMESS 100 ... _K(M)



Feldgehäuse mit integrierter Anzeige
(Edelstahl, IP67 + IP69K EN 60529)
field-housing with integrated display
(stainless steel, IP67 + IP69K EN 60529)

PIEZOMESS / VARIMESS 101 ... _K(M)

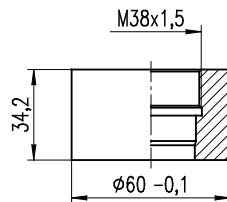


Feldgehäuse für OPUS
(Edelstahl, IP67 EN 60529)
field-housing for OPUS
(stainless steel, IP67 EN 60529)

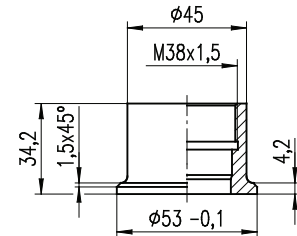
Flush-mounted pressure and level transmitters - PZM/VRM modular system series 100/101 -

DIMENSIONED DRAWINGS (dimensions in mm)

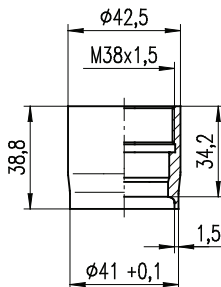
Prozessanschlussadapter: (optional mit 3 Leckagebohrungen; weitere Ausführungen auf Anfrage)
adapters for process connection: (optional with 3 leakage holes; other constructions on request)



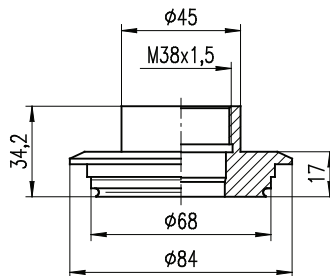
PEM5FPZM
Einschweißmuffe VPM Ø60 (Tank)
welding socket VPM Ø60 (tank)



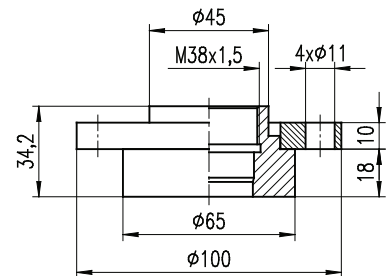
PEM3FPZM
Einschweißmuffe VPM Ø53 (Tank)
welding socket VPM Ø53 (tank)



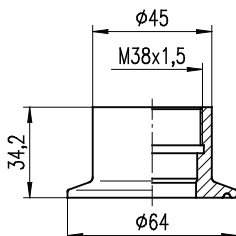
PEM9FPZM
Einschweißmuffe VPM - Rohr DN40
welding socket VPM - pipe DN40



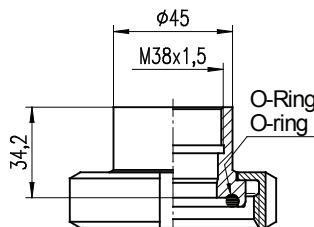
PVA6FPZM
VARIVENT-Flansch Ø68
VARIVENT-flange Ø68



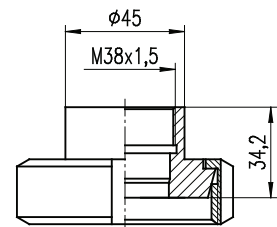
PDR6FPZM
DRD-Flansch Ø65
DRD-flange Ø65



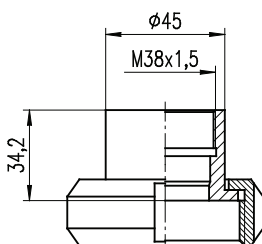
PCL5FPZM
Clamp DIN 32676 - DN50



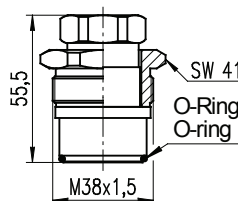
PBS...FPZM
Bundstutzen DIN 11864-1
Form A; DN40, DN50
collar nozzle DIN 11864-1
form A; DN40, DN50



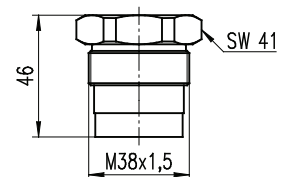
PMN...FPZM
Kegelstutzen DIN 11851
conical nozzle DIN 11851
DN40, DN50, DN65



PSN...FPZM
SMS-Bundstutzen DN38
SMS collar nozzle DN38



PVS1FPZM
Verschlussstopfen PZM
closing plug PZM



PED9FPZM
Einschweiß-Dummy PZM
welding dummy PZM

Flush-mounted pressure and level transmitters - PZM/VRM modular system series 100/101 -

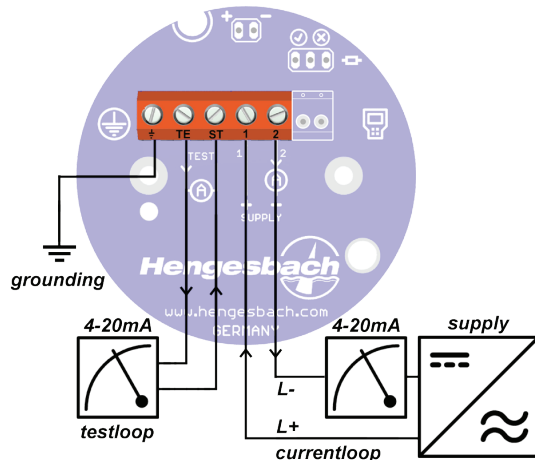
ORDER INFORMATION for accessories PZM/VRM modular system series 100/101 (Please order separately)

<p>Item no.: Z-PEM5FPZM</p>  <p>Welding socket PEM5FPZM for modular connection system PZM, VRM; for welding in tanks cylindrical d=60mm (without welding collar), with inner thread M 38x1,5, material stst 1.4404 (AISI 316L) Please order separately: WAZ3.1 acc. EN10214/ADW2 and re-stamping certificate</p>	<p>Item no.: Z-PEM5FPZM</p>  <p>Welding socket PEM5FPZM for modular connection system PZM; for welding in tanks. As previously described, but optional:</p> <ul style="list-style-type: none"> • electropolished available • surface roughness $\leq 0,5\mu\text{m}$ • Z-PEM6FPZM; with 3 leakage holes
<p>Item no.: Z-PEM3FPZM (for tubes > DN50)</p>  <p>welding socket PEM3FPZM (for tubes > DN50) modular connection system PZM to fit tubes > 50DN diameter d=53mm with M38x1,5 internal thread material stst 1.4404 (AISI 316L) Please order separately: WAZ3.1 acc. EN10214/ADW2 and re-stamping certificate</p>	<p>Item no.: Z-PEM9FPZM</p>  <p>Weld-on socket for tubes PEM9FPZM for modular process connection PZM for welding on tubes DIN E10357, series A-DN40 intended use: Pressure transmitter Type PZM, VRM; with M 38x1,5 internal thread material stst 1.4404 (AISI 316L) Please order separately: WAZ 3.1 acc. EN 10204/ADW2 & re-stamping certificate</p>
<p>Item no.: Z-PVA6FPZM</p>  <p>PZM-process adapter VARIVENT® d=68mm (form N) for DN 40-125 universal adapter for the modular connecting system PZM, VRM VARIVENT®-flange diameter d=68mm, PN16, material stst 1.4404 (AISI 316L) for tubes DN40-125 Gaskets are not within the scope of supply</p>	<p>Item no.: Z-PDR6FPZM</p>  <p>Process adapter DRD-flange, d=65mm universal adapter for modular system PZM, DRD adapter d=65mm, with flange, material stst 1.4404 (AISI 316L)</p>
<p>Item no.: Z-PCL5FPZM</p>  <p>Process adapter Clamp DIN 32676 DN50 universal adapter for transmitter system PZM, Clamp DIN32676 DN50/PN16, material stst 1.4404 (AISI 316L) for use: PZM,VRM - without sealing and bracket -</p>	<p>Item no.: Z-PBS_FPZM</p>  <p>Process adapter DIN 11864-1, Form A for tubes DIN 11866, Tube A (DIN11850), DN 40 / DN 50 universal adapter for modular system PZM collar with groove nut DIN11864-1 DN40/PN40, DN50/PN25, material stst 1.4404 (AISI 316L)</p>
<p>Item no.: Z-PMN_FPZM</p>  <p>Process adapter for PZM-system with union nut DIN 11851 DN 40 / DN50 / DN65 ... DN40/PN40, DN50/PN25, DN65/PN25, DIN 11851, material stst 1.4404 (AISI 316L) for use with system PZM/VRM</p>	<p>Item no.: Z-PSN_FPZM</p>  <p>Process adapter with union nut acc. SMS Norm DN38 (1,1/2") Universal adapter for modular PZM system DN38 respectively 11/2" material stst 1.4404 (AISI 316L)</p>
<p>Item no.: Z-PVS1FPZM</p>  <p>Plug for PZM adaptors with fixing bolt M38x1,8 material stst 1.4404 (AISI 316L) O-ring in material EPDM</p>	<p>Item no.: Z-PED9FPZM</p>  <p>Welding dummy material Brass 2.0401 for welding sockets type PZM/VRM</p>

Flush-mounted pressure and level transmitters - PZM/VRM modular system series 100/101 -

ELECTRICAL CONNECTION

The standard electrical connection is via a cable screw connection M16x1.5. On removing the device lid, the connection is created using screw terminals. The connection diagram in the transmitter head can be seen in the figure below:

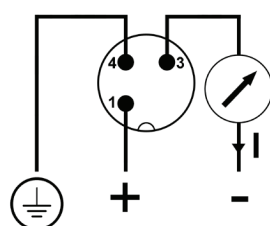
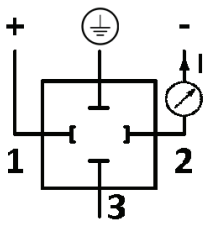


The supply voltage is connected via the two terminals 1 (+) and 2 (-). The current flowing in this loop represents the existing measuring value.

The terminals **TE** and **ST** provide a test circuit connection with which the actual loop current can be measured without interruption using an ammeter.

The ground terminal is for potential equalisation between the measuring device and the measuring point.

Alternative connection options are a round plug-in connector M12x1, an angle plug acc. to EN 175301-803 as well as a factory-fitted reference cable with integrated vent capillary. The reference cable comes in lengths of between 1...80m. The electrical configurations are listed in the following:

Round plug-in connector M12x1	Angle plug acc. to EN 175301-803	Connected reference cable								
		<table border="1"> <tr> <td>Brown</td> <td>Supply +</td> </tr> <tr> <td>Black</td> <td>Supply -</td> </tr> <tr> <td>White</td> <td>Earth</td> </tr> <tr> <td>Shield</td> <td>Earth</td> </tr> </table>	Brown	Supply +	Black	Supply -	White	Earth	Shield	Earth
Brown	Supply +									
Black	Supply -									
White	Earth									
Shield	Earth									

CALIBRATION / SETTING

Factory configuration

Measuring range calibrated:	Nominal measuring range or as per the order data
Current output:	4...20 mA with extended span between 3.9 and 21mA
Damping:	0s
Mains frequency:	50Hz
Measuring value / measuring unit	Pressure / mbar
Current output in the event of a fault:	hold (last value is held)

Flush-mounted pressure and level transmitters - PZM/VRM modular system series 100/101 -



ORDER INFORMATION for PIEZOMESS (PZM) and VARIMESS (VRM)

Electronics

100	4...20mA, integrated LCD display, TD 10
101	4...20mA, can be operated with OPUSM, TD 10

Sensor's measuring range / pressure type

PZM

C	0.35bar max. overload 1bar
E	1bar max. overload 3bar
G	2.5bar max. overload 8bar
J	5bar max. overload 15bar
K	10bar max. overload 30bar
M	30bar max. overload 90bar
Q	100bar max. overload 250bar
R	Relative pressure, overpressure (0...xxxbar)
N	Relative pressure, vacuum (-1...xxxbar)
A	Absolute pressure

VRM

H	4bar max. overload 25bar
K	10bar max. overload 40bar
L	20bar max. overload 40bar
N	40bar max. overload 60bar
P	70bar max. overload 105bar
R	Relative pressure, overpressure (0...xxxbar)
N	Relative pressure, vacuum (-1...xxxbar)
A	Absolute pressure

Electrical connection

K	Cable screw connection M16x1.5
M	Round plug-in connector M12x1
R05	Reference cable, 5m, securely fixed
R10	Reference cable, 10m, securely fixed
R15	Reference cable, 15m, securely fixed
R20	Reference cable, 20m, securely fixed
R25	Reference cable, 25m, securely fixed
RXX	Reference cable, length in excess of 25m is to be stated in plain text (max. 80m)

Run options (only with PZM)

T1	Normal temperature option
T2	High temperature option for medium temperatures of up to 200°C

PZM

--	--	--	--	--

Nominal measuring range if different from sensor's measuring range

VRM

--	--	--	--	--

Nominal measuring range if different from sensor's measuring range

Flush-mounted pressure and level transmitters - PZM/VRM modular system series 100/101 -



ORDER INFORMATION for PZM and VRM accessories

Process connection adapter (please order separately)	Article number
Clamp DIN 32676, DN50/PN16, 1.4404 (AISI 316L)	Z-PCL5FPZM
DRD flange Ø 65mm; 1.4404 (AISI 316L)	Z-PDR6FPZM
Conical coupling with a groove union nut DIN 11851, DN40/PN40, 1.4404 (AISI 316L)	Z-PMN4FPZM
Conical coupling with a groove union nut DIN 11851, DN50/PN25, 1.4404 (AISI 316L)	Z-PMN5FPZM
Conical coupling with a groove union nut DIN 11851, DN65/PN25, 1.4404 (AISI 316L)	Z-PMN6FPZM
Male thread DIN 11851, DN40/PN40, 1.4404 (AISI 316L)	Z-PMG4FPZM
Male thread DIN 11851, DN50/PN25, 1.4404 (AISI 316L)	Z-PMG5FPZM
Female thread with a groove union nut DIN 11864-1, DN40/PN40, 1.4404 (AISI 316L)	Z-PBS4FPZM
Female thread with a groove union nut DIN 11864-1, DN40/PN40, with 3 leakage holes, 1.4404 (AISI 316L)	Z-PBS4LPZM
Female thread with a groove union nut DIN 11864-1, DN50/PN25, 1.4404 (AISI 316L)	Z-PBS5FPZM
SMS female thread with a groove union nut, DN38 (DN1½"), 1.4404 (AISI 316L)	Z-PSN3FPZM
SMS female thread with a groove union nut, DN51 (DN2"), 1.4404 (AISI 316L)	Z-PSN5FPZM
VARIVENT® flange Ø 68mm, DN40-125/PN16, 1.4404 (AISI 316L)	Z-PVA6FPZM
VARIVENT® flange Ø 68mm, DN40-125/PN16, with 3 leakage drills, 1.4404 (AISI 316L)	Z-PVA6LPZM
welded socket Ø 53mm, 1.4404 (AISI 316L)	Z-PEM3FPZM
welded socket Ø 60mm, without welded collar, tank installation, 1.4404 (AISI 316L)	Z-PEM5FPZM
welded socket Ø 60mm, without welded collar, with 3 leakage drills, tank installation, 1.4404 (AISI 316L)	Z-PEM6FPZM
welded socket for DIN EN 10357 series A pipes, DN40, 1.4404 (AISI 316L)	Z-PEM9FPZM
welded socket for DIN EN 10357 series A pipes, DN40, with 3 leakage drills, 1.4404 (AISI 316L)	Z-PEM9LPZM
welded socket for DIN EN 10357 series A pipes, DN50, 1.4404 (AISI 316L)	Z-PEM3FPZM
Other process connection	on request

Accessories/assembly parts (please order separately)	Article number
OPUS ^M external operating module, for electronics 101, 1.4301 (304)	OPUS ^M
O-ring 28x2.5 made of EPDM (FDA), set consisting of 10 x article BT-ORD 28x2,5 EPDM (FDA)	P-POR1FPZM
O-ring 28x2.5 made of FKM (FDA), set consisting of 10 x article BT-ORD 28x2,5 FKM (FDA)	P-POR2FPZM
DRD weld-in block flange for process connection PDR6FPZM, 1.4435 (AISI 316L)	ZEB1FDRD
Flat seal made of EPDM for DRD flange	ZFA1FDRD
Flat seal made of FKM (Viton®) for DRD flange	ZFC1FDRD
Flat seal made of ePTFE for DRD flange (FDA)	ZFD1FDRD
4 x fastening screws for DRD flange, 1.4301 (304)	ZDS4FDRD
Pressure compensation element, "Gore™ prevent", IP69K	ZDAE69K
Locking screw for OPUS ^M connection with series 101, 1.4301 (304)	ZVS1F101
Reference cable made of PUR with pressure compensation capillary	ZKP1FDMU
Approval certificate 3.1 acc. to EN 10204 for material composition	WZ31M
Approval certificate 3.1 acc. to EN 10204 for surface quality ≤ 0.8µm or standard	WZ31R
Certificate of compliance 2.1 acc. to EN 10204	WZ2.1
Test report 2.2 acc. to EN 10204	WZ2.2

Please observe the permissible nominal pressure of the process connection selected.
All specifications and certifications specified are only guaranteed when Hengesbach original components are used.
Our devices are subject to constant development; subject to technical modification.