

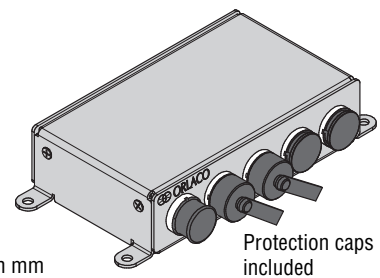
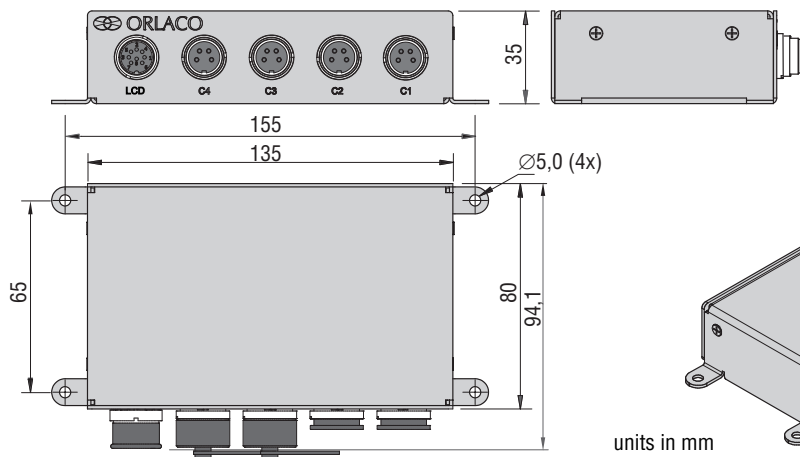
Vision is  
our mission®

Multiview box  
Article no. 0404110  
2015 • DS0404110 R1-0

# Product Data



## Dimensions



# TECHNICAL DATA

## Multiview box

**Article number**  
**Description**

**Description**  
**0404110**

Multiview box is a video system for up to 4 cameras, PAL or NTSC. There are many possibilities of different split views in 5 selectable video channels. Advanced video viewing image for various camera-system configurations.

**Software menu**  
**Special features**

On Screen Display (OSD) functionality for all settings.  
Customizing views, customizing channels, (multi) markers, boundary settings and camera text labeling.

**Housing**  
**Power input**

Stainless steel AISI 316. The housing is isolated from the internal electronic parts.  
Power supplied by Orlaco Monitor.

**Camera input**  
**Monitor output**

C1-C4: 4x Camera input (4pin connector).  
1x 7pin connector (serial) monitor output.

**Protection**  
**Weight**

IP67 according to IEC 60529.  
0,86kg, 1kg in standard packing.

**Operating temperature**  
**Green Passport**

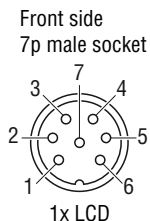
-40°C to +85°C.  
All materials are compliant to Green Passport requirements according IMO resolution MEPC.197(62) as adopted on 15 July 2011 (Maritime sector: International Maritime Organization concerning the functions of the Marine Environment Protection Committee).

**User Manual**

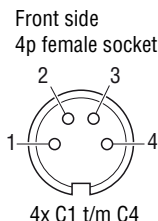
For user instructions see User Manual UM0972190.

**NOTE:** Use only PAL or NTSC cameras. You can not connect both PAL and NTSC cameras in one system together.

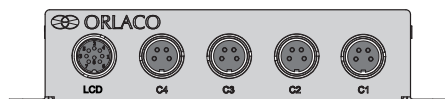
### Electrical connections



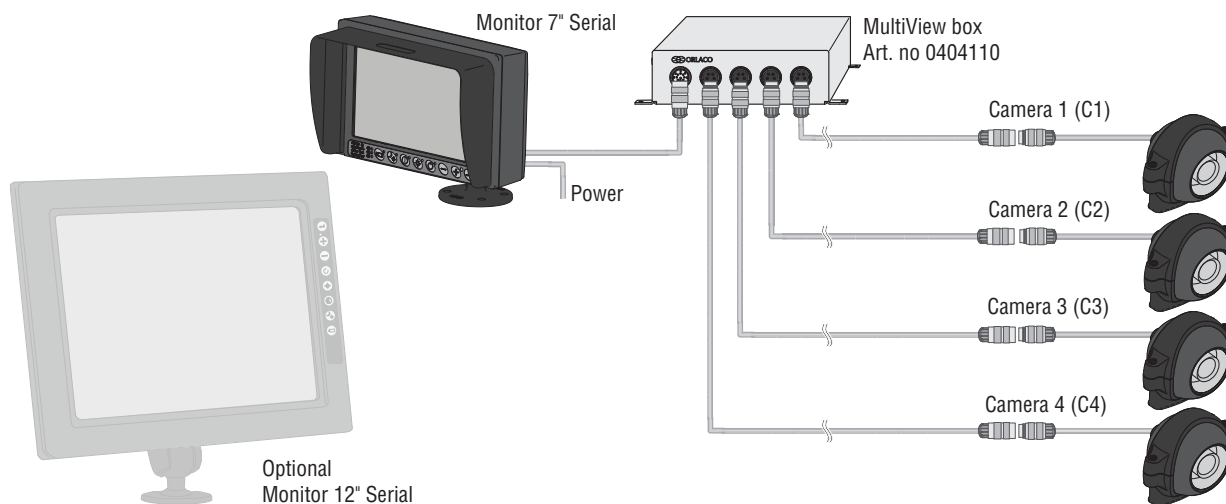
- 1 = Coax core = Video
- 2 = Coax shield = Video GND
- 3 = Red = Power
- 4 = Black = 0V
- 5 = Orange = Serial Rx
- 6 = Yellow = Serial Tx
- 7 = Grey = N.C



- 1 = Coax core = Video
- 2 = Coax shield = Video GND
- 3 = Red = Power
- 4 = Black = GND



### System overview example



All data subject to change without notice. All dimensions are for commercial purpose only.  
The camera/display systems from Orlaco comply with the latest CE, ADR, EMC and mirror-directive regulations, where applicable.  
All products are manufactured in accordance with the ISO 9001 quality management system, ISO/TS 16949 quality automotive, ISO 14001 environmental management systems and all Ex products with the IECEx scheme and ATEX directives, where applicable.

