

購入品：電力量計

型式：A1800 ALPHA シリーズ

精度：0.2 級

最大電流：連続…10A / 瞬時(0.5 秒)…最大測定電流の 2000%

電流範囲：0A～10A

最大範囲：連続 528VAC

電圧範囲：定格範囲 58V～415V / 動作範囲 46V～528V

周波数：定格 50Hz または 60Hz ±5%

温度範囲：-40℃～+85℃(カバー内)、-40℃～60℃(カバー外)

湿度範囲：0%～100% 非結露

電源負担：3W 以下

内部時計精度：0.5 秒/日以内 (通電時)

付属品：光学式コード、設定用ソフトウェアを各 1 付属のこと。

パート	型式	付属品	備考
P001	ZE3KL4R00LP	あり	METER CAT SOFT WARE VER.3.01 (100G000R17) USB OPTICAL PROBE (5D25334G01)
P002			
P003			
P004			

担 当

①11.3.10 プローブ、設定ソフトウェアの詳細仕様追加

A1800 ALPHA meter style numbers

Field numbers	1	2	3	4	5	6	7	8	9	10	11	
A1800 ALPHA meter	Z	E	3	K	F	4	R	0	0	L	P	
Service												
3-phase, 3-wire, delta or network			2									
3-phase, 4-wire, wye			3									
Test amps & wiring												
1 A or 5 A (10 A max), transformer rated												
Symmetrical wiring				J								
Sequential wiring				K								
5 A (120 A max), direct connect-rated												
Sequential wiring				N								
Main board & voltage link options												
All meters are 57.7 V to 480 V*												
No main board options (128 KB memory)				F								
Auxiliary power supply only (128 KB memory)				G								
Backlight only (128 KB memory)				J								
Auxiliary power supply with backlight (128 KB memory)				K								
No main board options (256 KB memory)†				L								
Auxiliary power supply only (256 KB memory)				M								
Backlight only (256 KB memory)†				N								
Auxiliary power supply with backlight (256 KB memory)				P								
Internal voltage links (256 KB memory)‡				Q								
External voltage links (256 KB memory)‡				R								
Internal voltage links with backlight (256 KB memory)‡				S								
External voltage links with backlight (256 KB memory)‡				T								
Relays and extended memory												
No relays and no extended memory						0						
2 relays with no extended memory (A1805 only)					2							
4 relays with no extended memory					4							
Extended memory with no relays					A							
4 relays with extended memory					E							
Communication options												
					ANSI			DLMS				
Optical port only					A1810	00	C0					
1 port: Internal telephone modem (ITM3)					A1810	D0	CA					
2 ports: RS-232/485§ and ITM3					A1830	RD	CD					
2 ports: RS-232/485§ and RS-232					A1860	RE	CE					
2 ports: RS-232/485§ and RS-485					A1860	RF	CF					
1 port: RS-232/485§					A1830	RO	CR					
2 ports (ACB): RS-232/485¶ and DLT645 over RS-485¶					A1880	R1	C1					
2 ports: RS-232/485¶ and RS-485¶					A1860		C2					
1 port: RS-232/485¶					A1830	R2						
2 ports (ACB): RS-232/485§ and Modbus over RS-485§					A1882	R3						
2 ports (ACB): RS-232/485§ and DNP over RS-485§					A1884	R4	C4					
2 ports (ACB): RS-232/485§ and Modbus over RS-232					A1882	R5						
2 ports (ACB): RS-232/485§ and DNP over RS-232					A1884	R6						
1 port (NIC): EA_NIC					nA1810	PE						
1 port (NIC): EA_NIC with last gasp					nA1810	PF						
2 ports (NIC): RS-232/485§ and EA_NIC					nA1830	PB						
2 ports (NIC): RS-232/485§ and EA_NIC with last gasp					nA1830	PD						
Miscellaneous options												
					Read without power	Not enabled	Enabled					
Long terminal cover, IEC optical port, TOU battery					0	A						
Long terminal cover, ANSI optical port, TOU battery					1	B						
Long transparent terminal cover, IEC optical port, TOU battery					2	C						
Long transparent terminal cover, ANSI optical port, TOU battery					3	D						
Short terminal cover, IEC optical port, TOU battery					4	E						
Short terminal cover, ANSI optical port, TOU battery					5	F						
Metering options												
Watt, var, TRueQ (A1805 when combined with A1810 options)											L1	
Watt, var, loss compensation, TRueQ											L3	
Watt, var, load profiling, TRueQ											L5	
Watt, var, loss compensation, load profiling, TRueQ											L7	
Watt, var, load profiling, instrumentation profiling, TRueQ											L9	
Watt, var, loss compensation, load profiling, instrumentation profiling, TRueQ											LB	
Watt, var, 4-quadrant metering, TRueQ											LD	
Watt, var, 4-quadrant metering, loss compensation, TRueQ											LF	
Watt, var, 4-quadrant metering, load profiling, TRueQ											LH	
Watt, var, 4-quadrant metering, loss compensation, load profiling, TRueQ											LK	
Watt, var, 4-quadrant metering, load profiling, instrumentation profiling, TRueQ											LM	
Watt, var, 4-quadrant metering, loss compensation, load profiling, instrumentation profiling, TRueQ											LP	
*Voltage link options available for direct connect-rated meters only.												
†Select this option for direct connect meters without voltage links												
‡Contact Elster for availability												
§4-wire RS-485 implementation												
¶2-wire RS-485 implementation												

基本形式

ZE: A1800 ALPHA シリーズ

相

- 2: 3相3線式
- 3: 3相4線式

定格・機内配線

- J: 1A or 5A (symmetrical)
- K: 1A or 5A (sequential)
- N: 5A 直接接続

主基板・電源関係オプション

- L: オプション無し(256KBメモリ)
- M: 補助電源付き(256KBメモリ)
- N: バックライト付き(256KBメモリ)
- P: 補助電源&バックライト付き(256KBメモリ)
- Q~T: Elster に確認する形式

接点出力・メモリ容量

- 0: 接点出力無し、メモリ拡張無し
- 2: 接点出力2点、メモリ拡張無し
- 4: 接点出力4点、メモリ拡張無し
- A: 接点出力無し、メモリ拡張有り
- E: 接点出力4点、メモリ拡張有り

通信オプション

- 00: 光学ポートのみ
- D0: ANSI 1ポート; 電話モデム
- R0: ANSI 1ポート; RS-232/485

その他オプション

- 0: 端子台カバー長型、IEC 光学ポート、TOU 電池、無通電時非測定

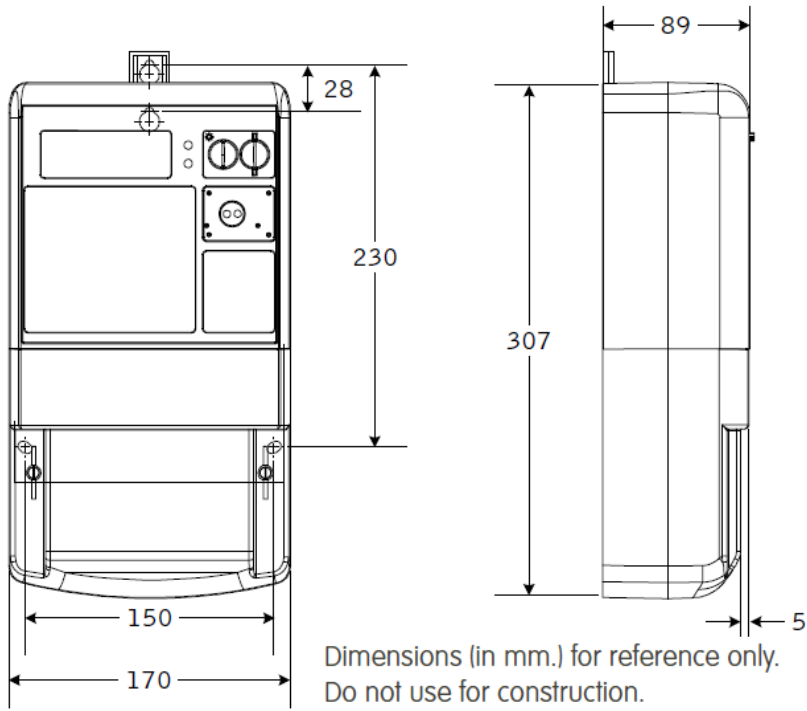
計測対象オプション

- LP: 全測定方式が有効な形式

担当

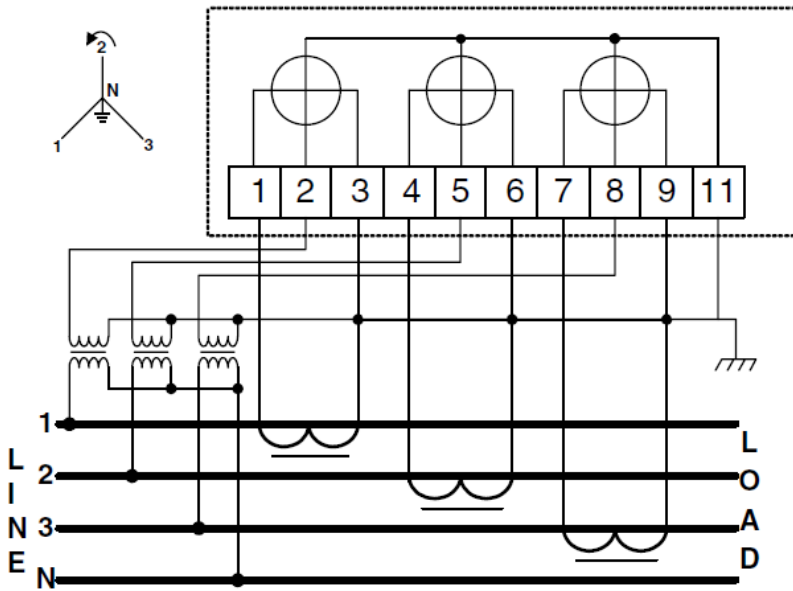
①11.3.10 128KB メモリ削除 (製造中止)

外形図：



配線図：

Three-Element, Four-Wire Instrument Transformer, Sequential Connection



担当