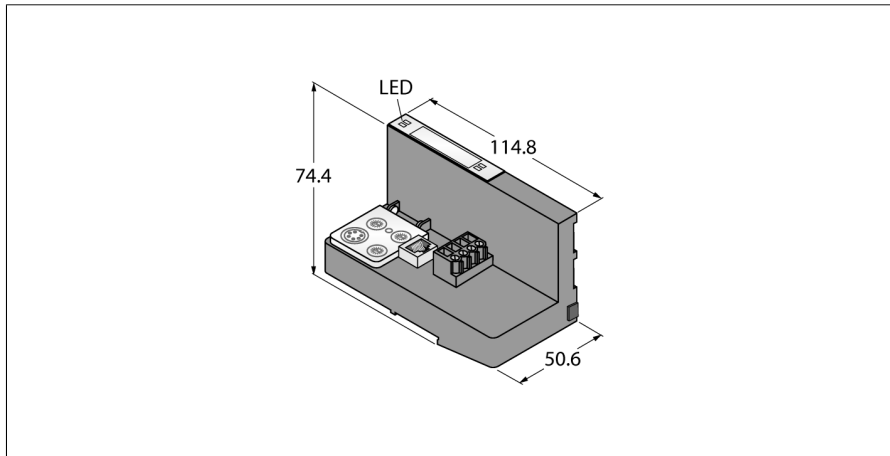
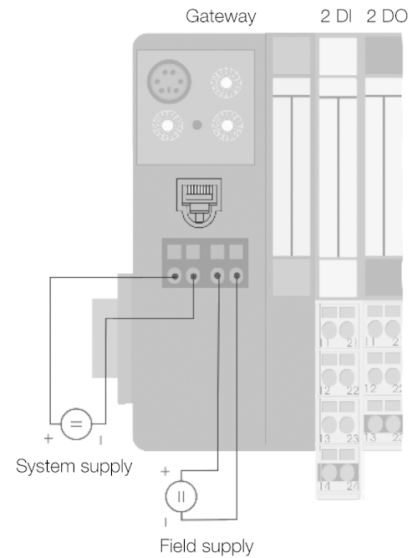


**Gateway for the BL20 I/O System**  
**Interface for PROFINET IO; supply inclusive**  
**BL20-GW-EN-PN**



**Field/System Supply**



<b>Type designation</b>	BL20-GW-EN-PN
Ident-No.	6827300
<b>Supply voltage</b>	24 VDC
System power supply	24 VDC / 5 VDC
Field supply	24 VDC
Admissible range	18...30 VDC
Nominal current from module bus	≤ 500 mA
Max. field supply current	10 A
Max. system supply current	1.2 A
Voltage supply connection	Screw terminals
<b>Fieldbus addressing</b>	PROFINET conform, rotary switch, BOOTP, DHCP, IO-ASSISTANT
Fieldbus connection technology	RJ45 port
<b>Transmission rate</b>	10/100 Mbps; full/half duplex; auto negotiation; auto crossing
Service interface	PS/2 socket
<b>Dimensions (W x L x H)</b>	50.6 x 114.8 x 74.4mm
Approvals	CE, cULus, zone 2, Class I, Div. 2
Operating temperature	0 to +55 °C
Storage temperature	-25...+85 °C
Relative humidity	5 to 95% (internal), Level RH-2, no condensation (at 45 °C storage)
Vibration test	acc. to EN 61131
Shock test	acc. to IEC 68-2-27
Drop and topple	acc. to IEC 68-2-31 and free fall to IEC 68-2-32
Electromagnetic compatibility	acc. to EN 50,082-2
Protection class	IP20
<b>Included in delivery</b>	2 x end brackets BL20-WEW-35/2-SW, 1 x end plate BL20-ABPL

**Functional principle**

BL20 gateways are the head component of a BL20 station. They are designed to interface the modular fieldbus nodes to the higher level fieldbus (PROFIBUS-DP, DeviceNet, CANopen, Ethernet).

All BL20 electronic modules communicate over the internal module bus, the data of which is transferred to the fieldbus via the gateway, so that all I/O modules can be configured independently of the bus system.