

2018

salzer

products approved in 2018



www.salzer-electric.com



樂清市樂怡電器有限公司
YUEQING LEYI ELECTRIC CO., LTD.

salzer



Brief Introduction

YUEQING LEYI ELECTRIC CO., LTD. is one of the biggest manufacturer and exporter of the axial fan in Wenzhou China. Our 80×80×25mm, 80×80×38mm, 92×92×25mm, 110×110×25mm, 120×120×25mm, 120×120×38mm, 135×135×40mm, 150×150×51mm, 150×172×51mm, φ172×51mm, 180×180×61mm, 200×200×61mm, φ230×65mm, 172×150×55mm, 225×225×80mm, 280×280×280mm, φ250mm, φ300mm, φ350mm, φ400mm, φ450mm, φ500mm and φ550mm AC series axial fan had been approved by TUV, CE and UL test. The fans with ball bearing and sleeve bearing two type. The axial fans are widely used in the heat sink and ventilation fields of the automatic control devices, electron settings, medical treatments equipments, computers, electrical source devices, electric welding machines, pack printing equipments, digit control machines and experiments equipments.

salzer is our registered trademark

Now YUEQING LEYI ELECTRIC CO., LTD. has established long term business cooperation with over 70 countries. With super quality and excellent service, YUEQING LEYI ELECTRIC CO., LTD. will be one of the most significant and dynamic company in the electrical products area.

Thank you for choosing the **salzer** brand!



AC Axial Fan 80×80×25 Series

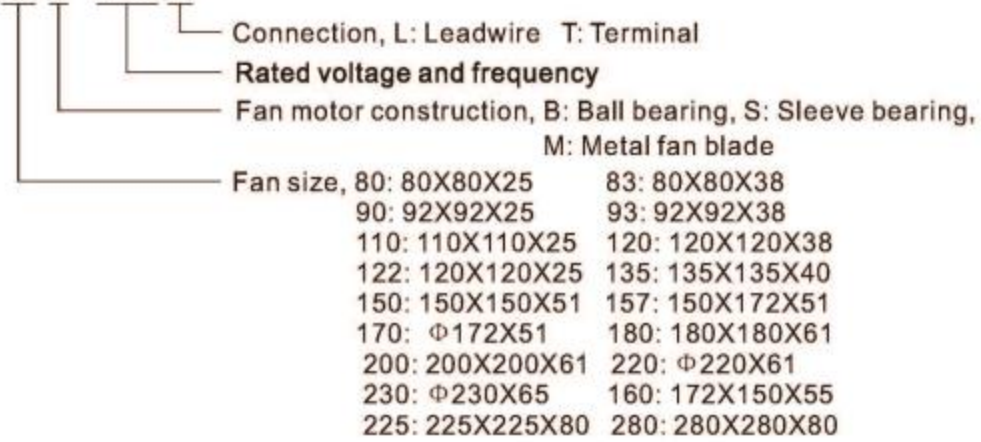
IEC/EN60034-1:2010

AC Axial Fan General Data

Electric motor: Shaded pole type AC electric motor design
 Frame: High quality aluminum alloy outside frame , anticorrosive and moisture proof structure
 Impeller: UL94V-0 70%PBT +30%FRP.
 Bearing: Sleeve bearing and ball bearing
 Insulation: Class B
 Insulation impedance: The case adds 500V DC to the coils,insulation impedance more than 100MΩ
 Dielectric strength: 0.5mA 1500V/AC min
 Safety protection: Impedance protection
 Operating temperature: -10 ~ +70℃
 Storage temperature: -40 ~ +70℃
 Protecting grade:IP54(after instillation of fan filter)

Ordering Information

PD80 S - 220 L

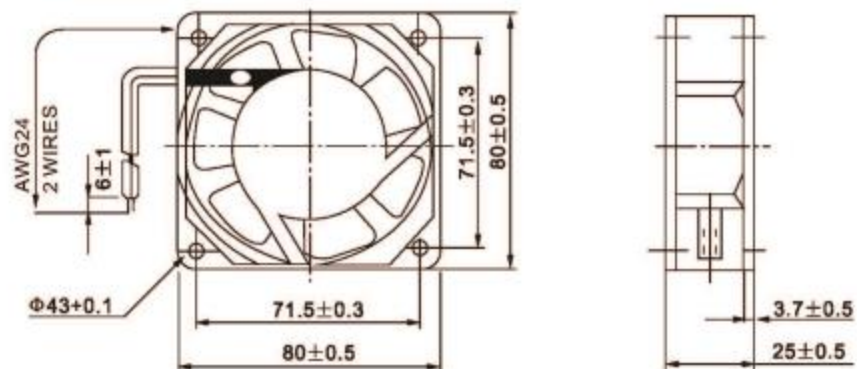


Technical parameter

Dimension (mm)	Model	Voltage (VAC)	Frequency (Hz)	Current (AMP)	Power (Watts)	Speed (RPM)	Air Flow (CFM)/m³/min	Pressure (mmH ₂ O)	Noise (dBA)	Weight (Gram)
80X80X25	PD80S-110	110/120	50/60	0.13	10	2300	21/0.59	0.11	22	250
	PD80S-127	110/127	50/60	0.14	10	2300	21/0.59	0.11	22	250
	PD80S-220	220/240	50/60	0.07	11	2300	21/0.59	0.11	22	250
80X80X25	PD80B-110	110/120	50/60	0.13	10	2300	21/0.59	0.11	22	250
	PD80B-127	110/127	50/60	0.14	10	2300	21/0.59	0.11	22	250
	PD80B-220	220/240	50/60	0.07	11	2300	21/0.59	0.11	22	250



Outline drawing



AC Axial Fan 80×80×38 Series
AC Axial Fan 92×92×25 Series

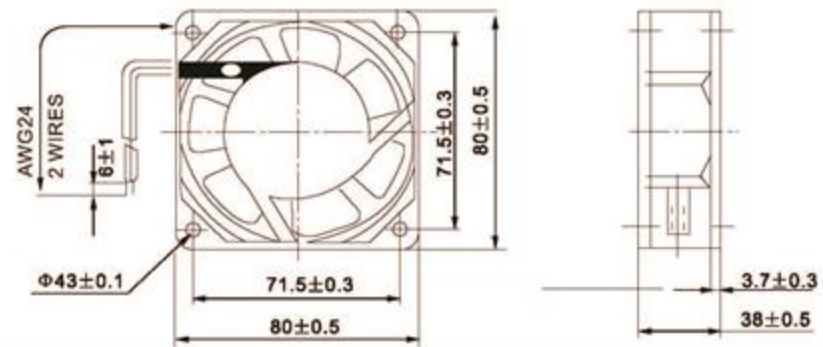
IEC/EN60034-1:2010

Technical parameter

Dimension (mm)	Model	Voltage (VAC)	Frequency (Hz)	Current (AMP)	Power (Watts)	Speed (RPM)	Air Flow (CFM)/m ³ /min	Pressure (mmH ₂ O)	Noise (dBA)	Weight (Gram)
80X80X38	PD83S-110	110/120	50/60	0.16	15	2300	27/0.76	0.12	25.5	320
	PD83S-127	110/127	50/60	0.17	16	2300	27/0.76	0.12	25.5	320
	PD83S-220	220/240	50/60	0.09	12	2300	27/0.76	0.12	25.5	320
80X80X38	PD83B-110	110/120	50/60	0.16	15	2300	27/0.76	0.12	25.5	320
	PD83B-127	110/127	50/60	0.17	16	2300	27/0.76	0.12	25.5	320
	PD83B-220	220/240	50/60	0.09	12	2300	27/0.76	0.12	25.5	320



Outline drawing

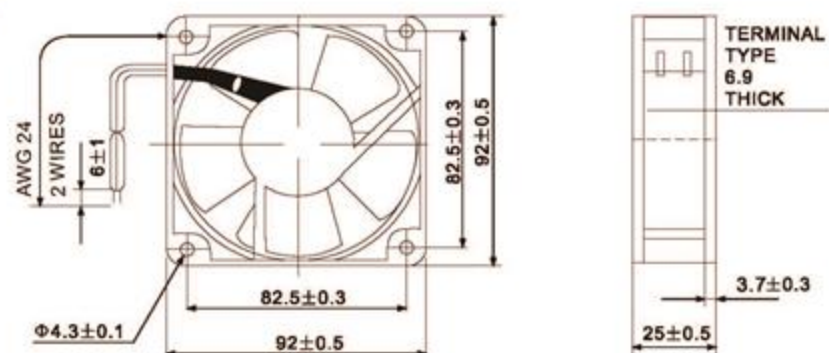


Technical parameter

Dimension (mm)	Model	Voltage (VAC)	Frequency (Hz)	Current (AMP)	Power (Watts)	Speed (RPM)	Air Flow (CFM)/m ³ /min	Pressure (mmH ₂ O)	Noise (dBA)	Weight (Gram)
92X92X25	PD90S-110	110/120	50/60	0.13	11	2300	36/1.00	0.12	23	270
	PD90S-127	110/127	50/60	0.14	12	2300	36/1.00	0.12	23	270
	PD90S-220	220/240	50/60	0.09	12	2300	36/1.00	0.12	23	270
92X92X25	PD90B-110	110/120	50/60	0.13	11	2300	36/1.00	0.12	23	270
	PD90B-127	110/127	50/60	0.14	12	2300	36/1.00	0.12	23	270
	PD90B-220	220/240	50/60	0.09	12	2300	36/1.00	0.12	23	270



Outline drawing



AC Axial Fan 110×110×25 Series
AC Axial Fan 120×120×25 Series

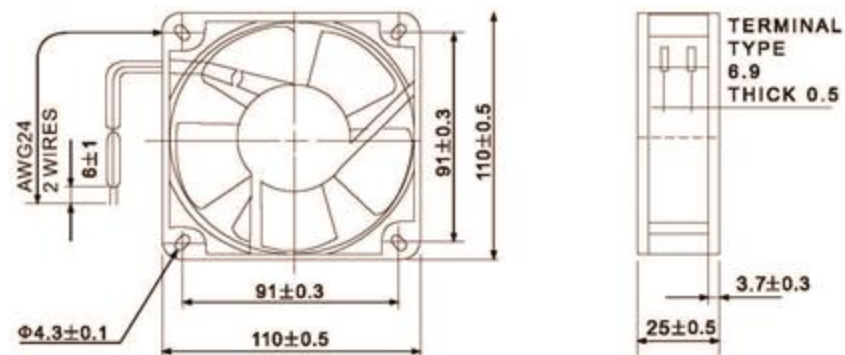
IEC/EN60034-1:2010

Technical parameter

Dimension (mm)	Model	Voltage (VAC)	Frequency (Hz)	Current (AMP)	Power (Watts)	Speed (RPM)	Air Flow (CFM)/m ³ /min	Pressure (mmH ₂ O)	Noise (dBA)	Weight (Gram)
110X110X25	PD110S-110	110/120	50/60	0.16	17	2300	60/1.70	0.13	31	310
	PD110S-220	220/240	50/60	0.10	18	2300	60/1.70	0.13	31	310
110X110X25	PD110B-110	110/120	50/60	0.16	17	2300	60/1.70	0.13	31	310
	PD110B-220	220/240	50/60	0.10	18	2300	60/1.70	0.13	31	310



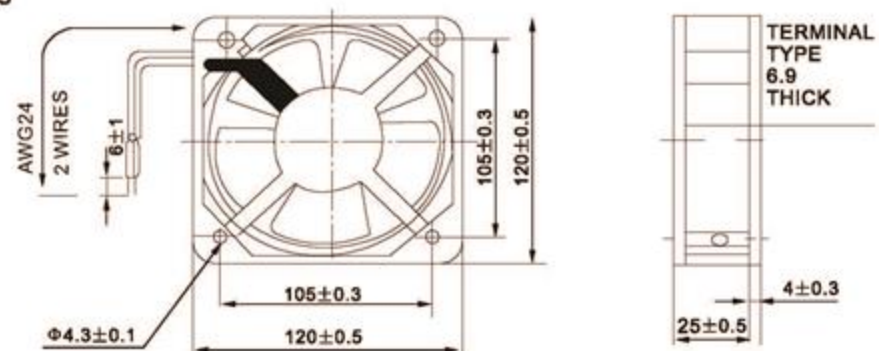
Outline drawing



Technical parameter

Dimension (mm)	Model	Voltage (VAC)	Frequency (Hz)	Current (AMP)	Power (Watts)	Speed (RPM)	Air Flow (CFM)/m ³ /min	Pressure (mmH ₂ O)	Noise (dBA)	Weight (Gram)
120X120X25	PD122S-110	110/120	50/60	0.16	15	2400	77/2.20	0.13	38	320
	PD122S-127	110/127	50/60	0.17	16	2400	77/2.20	0.13	38	320
	PD122S-220	220/240	50/60	0.10	17	2400	77/2.20	0.13	38	320
120X120X25	PD122B-110	110/120	50/60	0.16	15	2400	77/2.20	0.13	38	320
	PD122B-127	110/127	50/60	0.17	16	2400	77/2.20	0.13	38	320
	PD122B-220	220/240	50/60	0.10	17	2400	77/2.20	0.13	38	320

Outline drawing



AC Axial Fan 120×120×38 Series
AC Axial Fan 135×135×40 Series



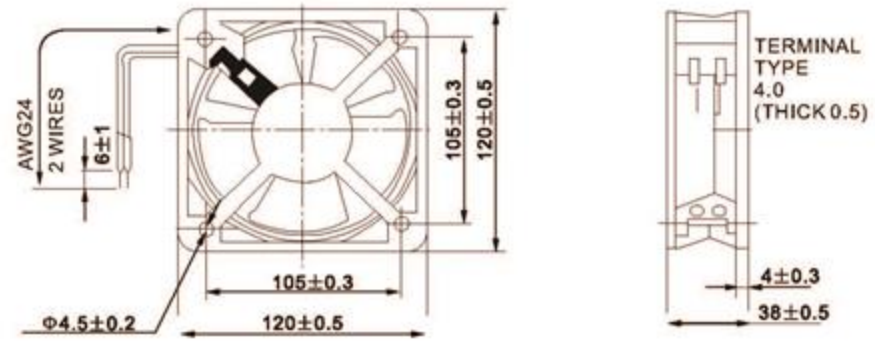
IEC/EN60034-1:2010

Technical parameter

Dimension (mm)	Model	Voltage (VAC)	Frequency (Hz)	Current (AMP)	Power (Watts)	Speed (RPM)	Air Flow (CFM)/m ³ /min	Pressure (mmH ₂ O)	Noise (dBA)	Weight (Gram)
120X120X38	PD120S-110	110/120	50/60	0.14	18	2500	98/2.75	0.23	46.5	515
	PD120S-127	110/127	50/60	0.25	18	2500	98/2.75	0.23	46.5	515
	PD120S-220	220/240	50/60	0.08	19	2500	98/2.75	0.23	46.5	515
120X120X38	PD120B-110	110/120	50/60	0.14	18	2500	98/2.75	0.23	46.5	515
	PD120B-127	110/127	50/60	0.25	18	2500	98/2.75	0.23	46.5	515
	PD120B-220	220/240	50/60	0.08	19	2500	98/2.75	0.23	46.5	515



Outline drawing

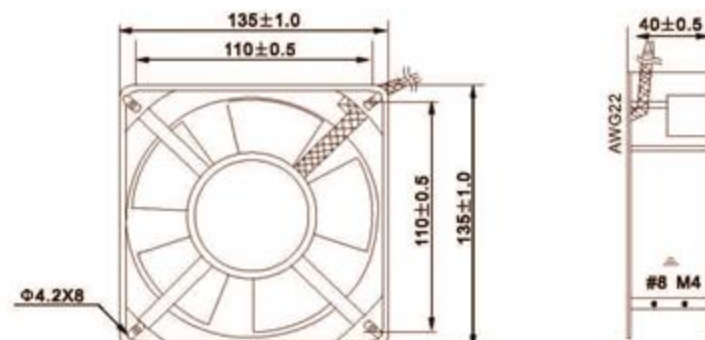


Technical parameter

Dimension (mm)	Model	Voltage (VAC)	Frequency (Hz)	Current (AMP)	Power (Watts)	Speed (RPM)	Air Flow (CFM)/m ³ /min	Pressure (mmH ₂ O)	Noise (dBA)	Weight (Gram)
135X135X40	PD135B-110	110/120	50/60	0.36	29	2350	113/3.2	0.29	44.3	570
	PD135B-220	220/240	50/60	0.18	29	2350	113/3.2	0.29	44.3	570



Outline drawing



AC Axial Fan 150×150×51 Series
AC Axial Fan 172×150×51 Series

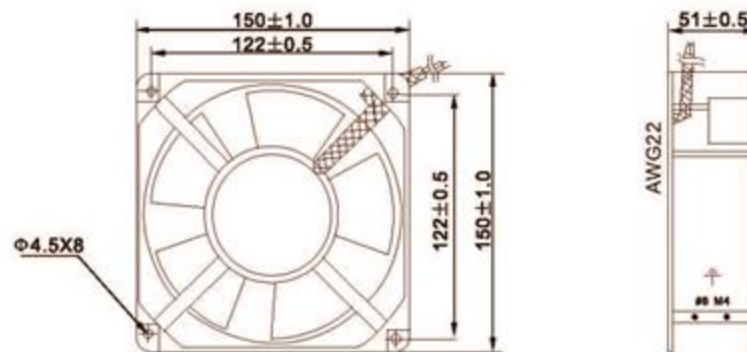
IEC/EN60034-1:2010

Technical parameter

Dimension (mm)	Model	Voltage (VAC)	Frequency (Hz)	Current (AMP)	Power (Watts)	Speed (RPM)	Air Flow (CFM)/m ³ /min	Pressure (mmH ₂ O)	Noise (dBA)	Weight (Gram)
150X150X51	PD150B-110	110/120	50/60	0.38	24	2600	180/5.0	0.38	49.6	960
	PD150B-127	110/127	50/60	0.35	25	2600	180/5.0	0.38	49.6	960
	PD150B-220	220/240	50/60	0.18	28	2600	180/5.0	0.38	49.6	960



Outline drawing

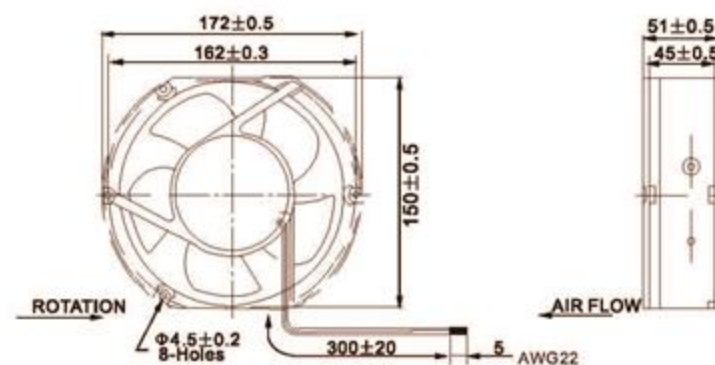


Technical parameter

Dimension (mm)	Model	Voltage (VAC)	Frequency (Hz)	Current (AMP)	Power (Watts)	Speed (RPM)	Air Flow (CFM)/m ³ /min	Pressure (mmH ₂ O)	Noise (dBA)	Weight (Gram)
172X150X51	PD157B-110	110/120	50/60	0.38	24	2600	180/5.0	0.38	49.6	870
	PD157B-127	110/127	50/60	0.35	25	2600	180/5.0	0.38	49.6	870
	PD157B-220	220/240	50/60	0.18	28	2600	180/5.0	0.38	49.6	870



Outline drawing



AC Axial Fan ϕ 172 \times 51 Series
AC Axial Fan 180 \times 180 \times 61 Series

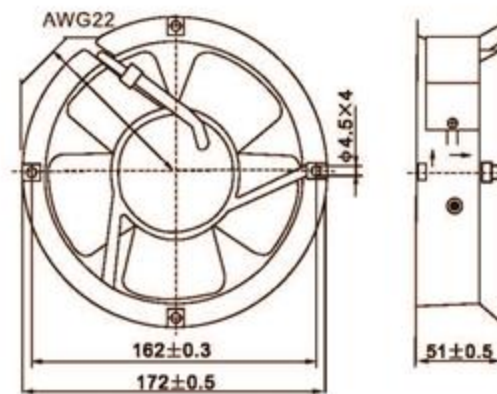
IEC/EN60034-1:2010

Technical parameter

Dimension (mm)	Model	Voltage (VAC)	Frequency (Hz)	Current (AMP)	Power (Watts)	Speed (RPM)	Air Flow (CFM)/m ³ /min	Pressure (mmH ₂ O)	Noise (dBA)	Weight (Gram)
ϕ 172X51	PD170B-110	110/120	50/60	0.38	24	2600	180/5.0	0.38	49.6	908
	PD170B-127	110/127	50/60	0.35	25	2600	180/5.0	0.38	49.6	908
	PD170B-220	220/240	50/60	0.18	28	2600	180/5.0	0.38	49.6	908



Outline drawing

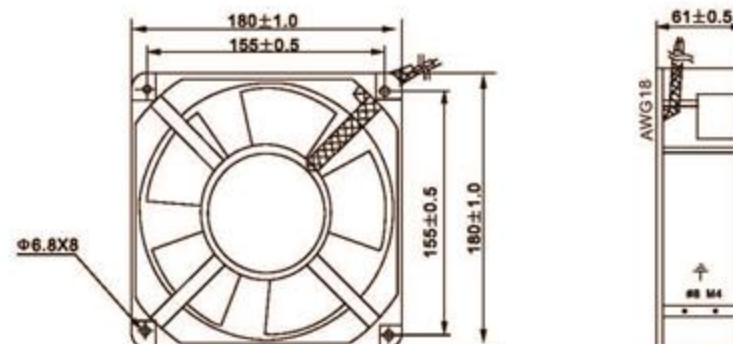


Technical parameter

Dimension (mm)	Model	Voltage (VAC)	Frequency (Hz)	Current (AMP)	Power (Watts)	Speed (RPM)	Air Flow (CFM)/m ³ /min	Pressure (mmH ₂ O)	Noise (dBA)	Weight (Gram)
180X180X61	PD180B-110	110/120	50/60	0.68	56	2630	264/7.50	0.60	58	1600
	PD180B-127	110/127	50/60	0.70	57	2630	264/7.50	0.60	58	1600
	PD180B-220	220/240	50/60	0.35	52	2630	264/7.50	0.60	58	1600



Outline drawing



AC Axial Fan 200×200×61 Series
AC Axial Fan ϕ 220×61 Series
AC Axial Fan ϕ 230×65 Series



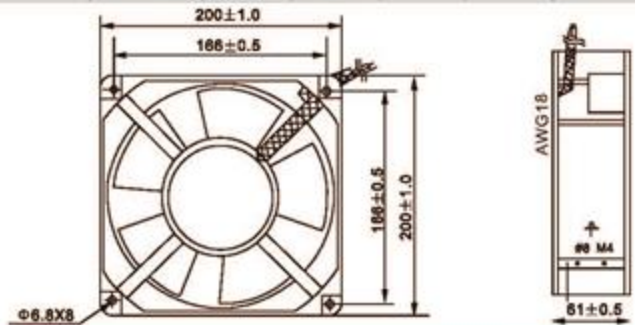
IEC/EN60034-1:2010

Technical parameter

Dimension (mm)	Model	Voltage (VAC)	Frequency (Hz)	Current (AMP)	Power (Watts)	Speed (RPM)	Air Flow (CFM)/m ³ /min	Pressure (mmH ₂ O)	Noise (dBA)	Weight (Gram)
200X200X61	PD200B-110	110/120	50/60	0.73	65	2600	272/7.70	0.58	56	1690
	PD200B-127	110/127	50/60	0.76	65	2600	272/7.70	0.58	56	1690
	PD200B-220	220/240	50/60	0.38	60	2600	272/7.70	0.65	60	1690



Outline drawing

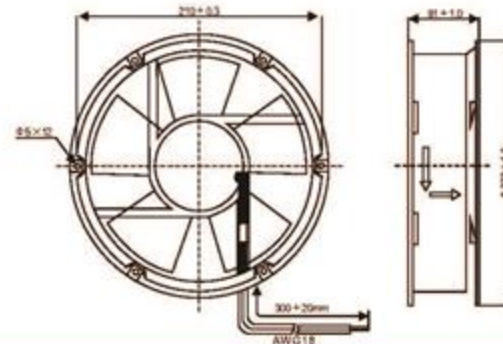


Technical parameter

Dimension (mm)	Model	Voltage (VAC)	Frequency (Hz)	Current (AMP)	Power (Watts)	Speed (RPM)	Air Flow (CFM)/m ³ /min	Pressure (mmH ₂ O)	Noise (dBA)	Weight (Gram)
ϕ 220X61	PD220B-110	110/120	50/60	0.73	65	2600	272/7.70	0.58	56	1610
	PD220B-127	110/127	50/60	0.76	65	2600	272/7.70	0.58	56	1610
	PD220B-220	220/240	50/60	0.38	60	2600	272/7.70	0.65	60	1610



Outline drawing

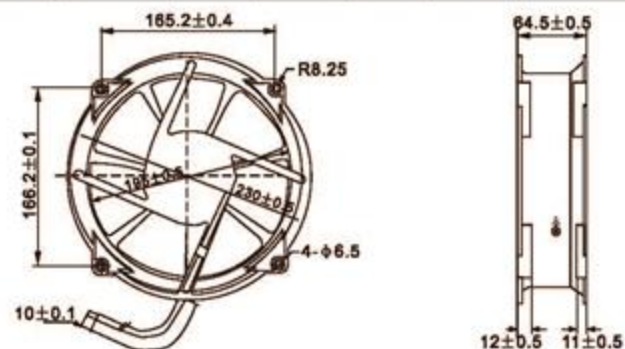


Technical parameter

Dimension (mm)	Model	Voltage (VAC)	Frequency (Hz)	Current (AMP)	Power (Watts)	Speed (RPM)	Air Flow (CFM)/m ³ /min	Pressure (mmH ₂ O)	Noise (dBA)	Weight (Gram)
ϕ 230X65	PD230B-110	110/120	50/60	0.50	49	2500	480/13.6	0.58	56	1690
	PD230B-127	110/127	50/60	0.52	50	2500	480/13.6	0.58	56	1690
	PD230B-220	220/240	50/60	0.25	55	2500	480/13.6	0.65	60	1690



Outline drawing



AC Axial Fan 120×120×38 Series Metal Impeller

IEC/EN60034-1:2010

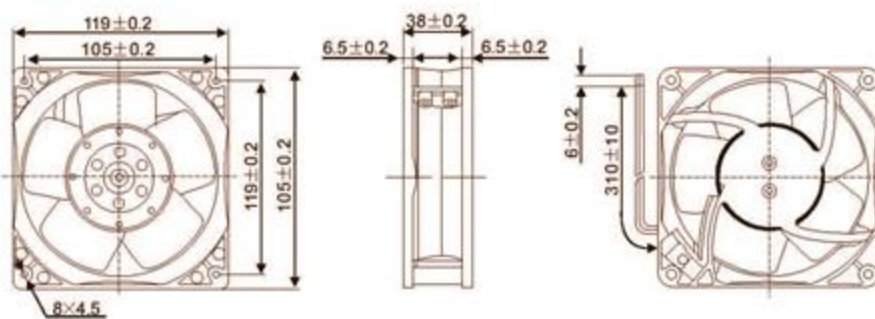


General Specifications

- Motor Structure: Shaded pole motor inducted by running external rotor, with design of ultra temperature protection
- Operation System: Double high precise ball bearings
- Insulation Resistance: Over 100 Mega Ohm tested by a resistor at DC 500V.
- Insulation Isolation Grade: F
- Dielectric Withstanding Voltage: AC 1,800V, at 0.5mA, 50/60Hz
- Allowable Ambient Temperature Range: -25°C~ +75°C (ball bearings)
(under non condensation state)

Outline Dimensions

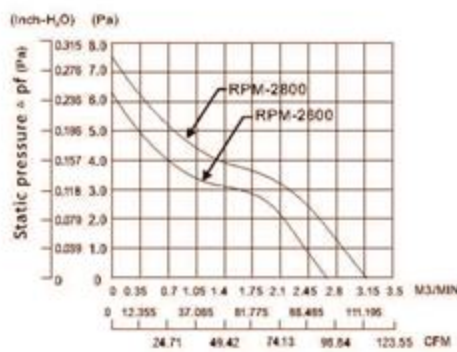
[Units:(mm)]



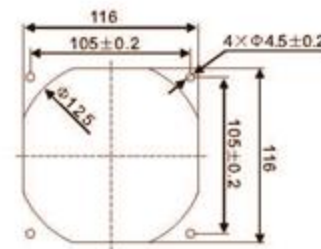
Material

- Casing :Die-cast aluminium
- Impeller :Sheet steel
(be welded into motor directly)
- Bearing :Ball bearings

Characteristic Curves



Panel Cut-out



INLET SIDE/OUTLET SIDE

Technical parameter

Dimension (mm)	Model	Voltage (VAC)	Frequency (Hz)	Current (AMP)	Power (Watts)	Speed (RPM)	Air Flow (CFM)/m ³ /min	Pressure (Pa)	Noise (dBA)	Weight (Gram)
120X120X38	PD120M-110	110/120	50/60	0.24	19	2580	94/2.7	6.27	49	595
	PD120M-127	110/127	50/60	0.25	20	2580	94/2.7	6.27	49	595
	PD120M-220	220/240	50/60	0.12	19	2580	94/2.7	6.27	49	595

AC Axial Fan 172×150×55 Series Metal Impeller

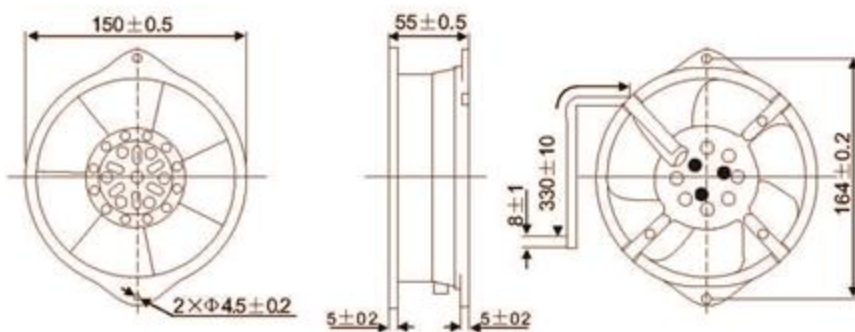
IEC/EN60034-1:2010



General Specifications

- Motor Structure : Shaded Pole Induction Motor
- Motor Protection: Thermal Protect(Standard Speed)
Impedance Protect(Half/Low Speed)
- Insulation Resistance: 100M Ω or over with a DC500V Megger
- Insulating grade: B
- Dielectric Withstand Voltage: AC 1800V 3s
- Allowable Ambient Temperature Range: 20°C~ +80°C(Operating)
-40°C~ +80°C(Storage)
(under non condensation state)

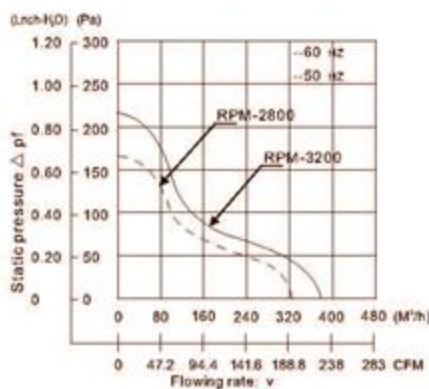
Outline [Units:(mm)]



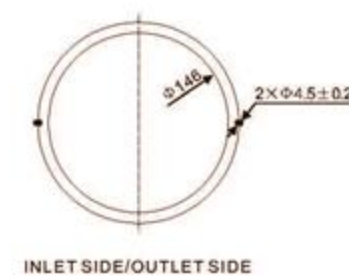
Material

- Casing : Die-cast aluminium
- Impeller : Sheet steel
(be welded into motor directly)
- Bearing : Ball bearings

Characteristic Curves



Panel Cut-out



Technical parameter

Dimension (mm)	Model	Voltage (VAC)	Frequency (Hz)	Current (AMP)	Power (Watts)	Speed (RPM)	Air Flow (CFM)/m³/min	Pressure (Pa)	Noise (dBA)	Weight (Gram)
172X150X55	PD160M-110	110/120	50/60	0.50	43	2700	191/5.4	80	49	1100
	PD160M-127	110/127	50/60	0.53	50	2700	191/5.4	80	49	1100
	PD160M-220	220/240	50/60	0.27	44	2700	191/5.4	80	49	1100

AC Axial Fan 225×225×80 Series Metal Impeller

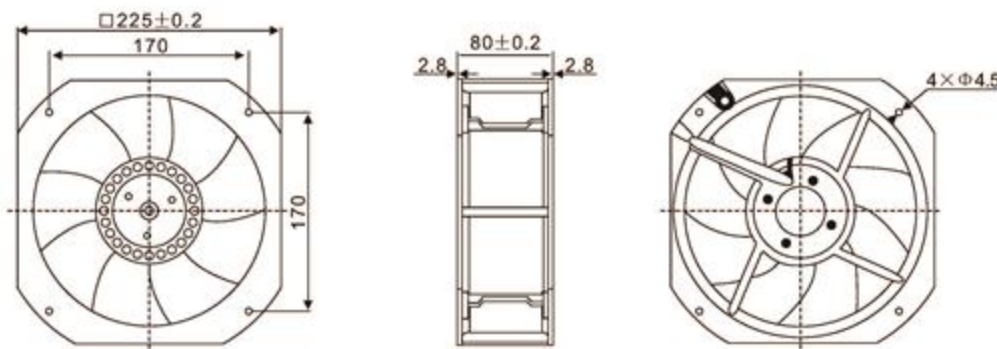
IEC/EN60034-1:2010



General Specifications

- Motor Structure :Capacitor-run Induct external rotor motor
- Motor Protection :Thermal Protect(Standard Speed)
Impedance Protect(Half/Low Speed)
- Insulation Resistance:100M Ω or over with a DC500V Megger
- Insulating grade: B
- Dielectric Withstand Voltage: AC 1800V3s
- Allowable Ambient Temperature Range:20°C~+90°C(Operating)
-40°C~+90°C(Storage)
(under non condensation state)

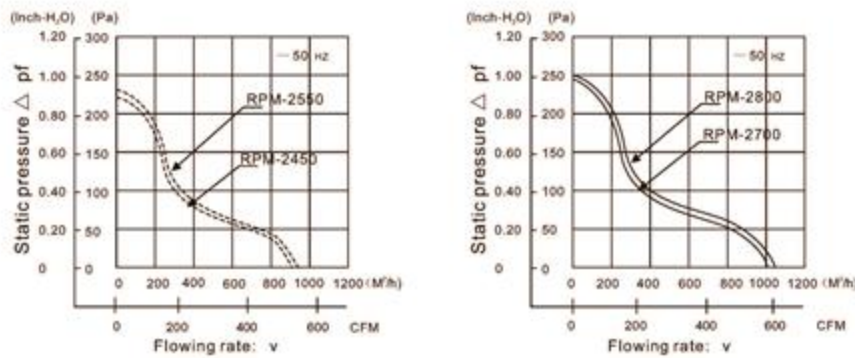
Outline [Units:(mm)]



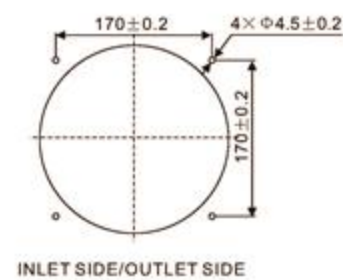
Material

- Casing :Die-cast aluminium
- Impeller :Sheet steel
(be welded into motor directly)
- Bearing :Ball bearings

Characteristic Curves



Panel Cut-out



Technical parameter

Dimension (mm)	Model	Voltage (VAC)	Frequency (Hz)	Current (AMP)	Power (Watts)	Speed (RPM)	Air Flow (CFM)/m ³ /min	Pressure (Pa)	Noise (dBA)	Weight (Gram)
225X225X80	PD225M-110	110/120	50/60	0.60	57	2600	546/15.5	230	66	2200
	PD225M-127	110/127	50/60	0.63	78	2600	546/15.5	230	66	2200
	PD225M-220	220/240	50/60	0.31	72	2600	546/15.5	230	66	2200

AC Axial Fan 280×280×80 Series Metal Impeller

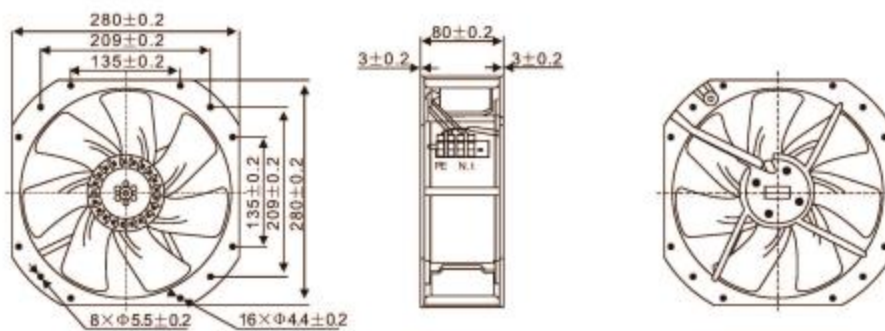
IEC/EN60034-1:2010



General Specifications

- Motor Structure : Shaded Pole Induction Motor
- Motor Protection : Thermal Protect(Standard Speed)
Impedance Protect(Half/Low Speed)
- Insulation Resistance: 100M Ω or over with a DC500V Megger
- Insulating grade: F
- Dielectric Withstand Voltage: AC 2500V 3s
- Allowable Ambient Temperature Range: 20°C~ +90°C(Operating)
-40°C~ +90°C(Storage)
(under non condensation state)

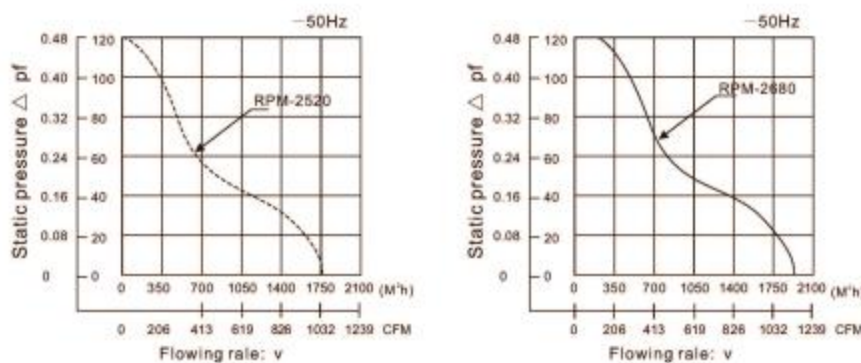
Outline [Units:(mm)]



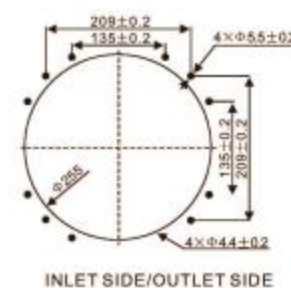
Material

- Casing : Die-cast aluminium
- Impeller : Sheet steel
(be welded into motor directly)
- Bearing : Ball bearings

Characteristic Curves



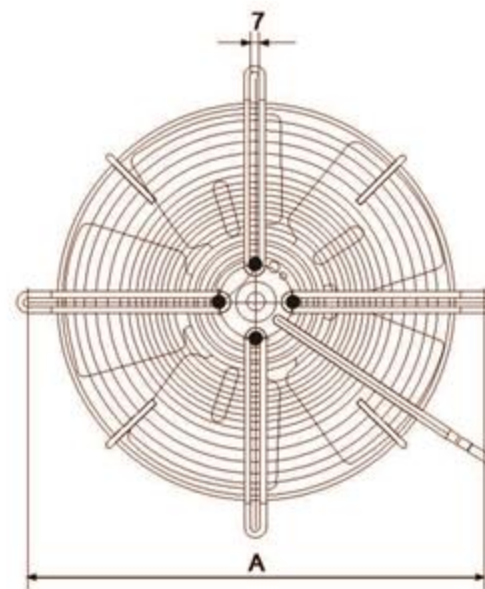
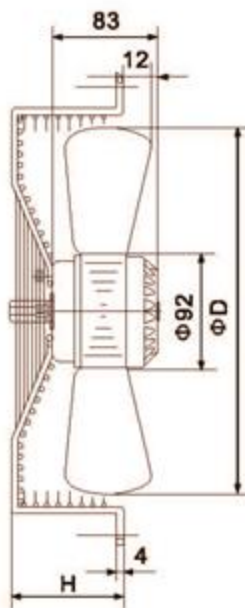
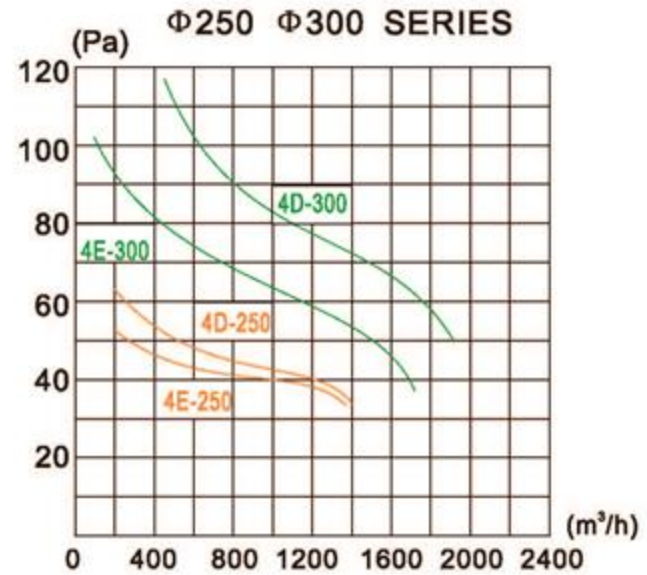
Panel Cut-out



Technical parameter

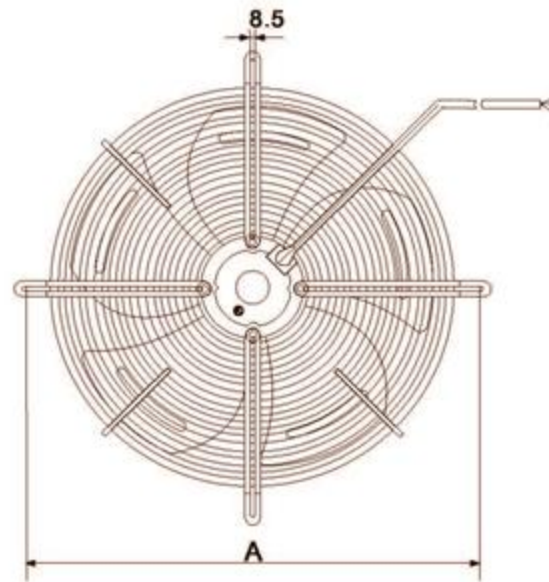
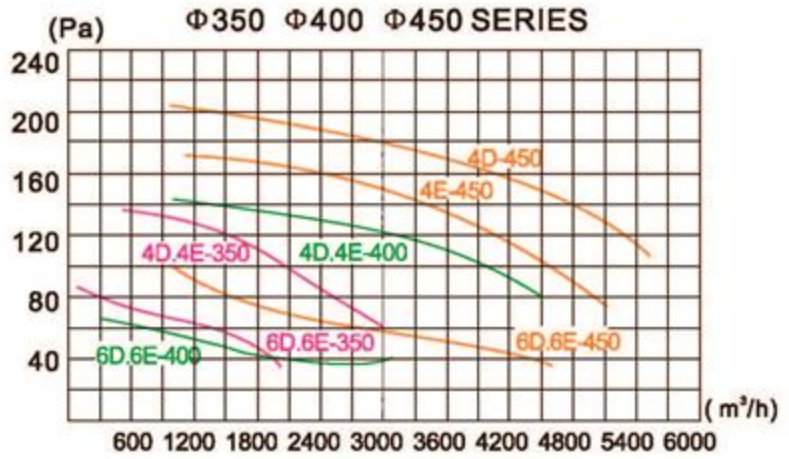
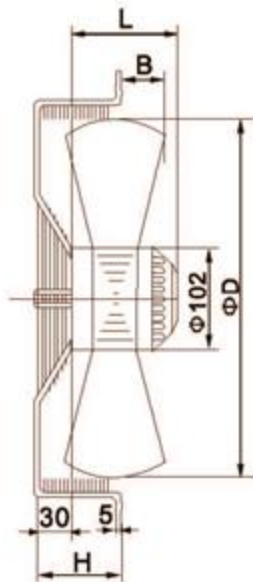
Dimension (mm)	Model	Voltage (VAC)	Frequency (Hz)	Current (AMP)	Power (Watts)	Speed (RPM)	Air Flow (CFM)/m ³ /min	Pressure (Pa)	Noise (dBA)	Weight (Gram)
280X280X80	PD280M-110	110/120	50/60	0.93	97	2600	1060/30.0	120	68	2900
	PD280M-127	110/127	50/60	0.97	115	2600	1060/30.0	120	68	2900
	PD280M-220	220/240	50/60	0.52	115	2600	1060/30.0	120	68	2900

AC Axial Fan ϕ 250 Series
AC Axial Fan ϕ 300 Series



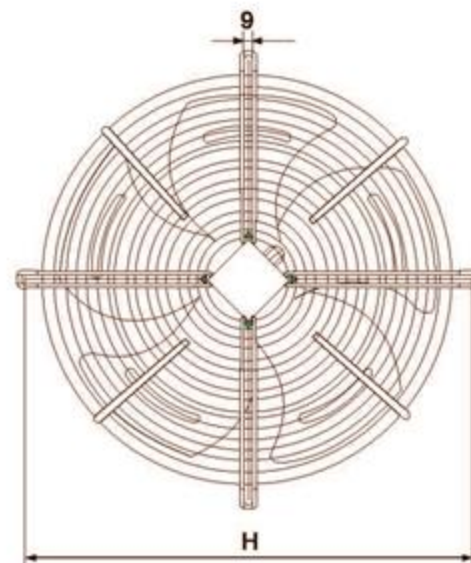
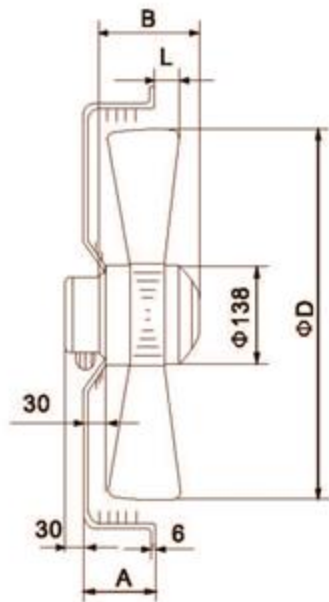
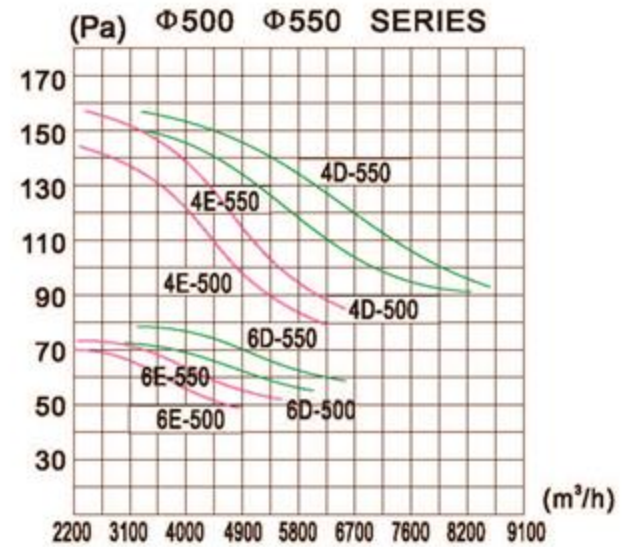
MODEL	VOLTAGE (V)	FREQUENCY (Hz)	CURRENT (A)	INPUT (W)	SPEED (r/min)	AIR VOLUME (m³/h)	NOISE (dBA)	CAPACITOR (μ F)	APPROX. WEIGHT (kg)	SIZE		
										A	H	ϕ D
PD250S-4E	220	50	0.25	60	1400	1450	55	3	3.0	320	60	250
PD250S-4D	380	50	0.15	60	1400	1500	55	-	3.0	320	60	250
PD300S-4E	220	50	0.37	80	1400	1750	58	3	3.3	360	80	300
PD300S-4D	380	50	0.20	80	1400	1820	58	-	3.3	360	80	300

AC Axial Fan ϕ 350 Series
AC Axial Fan ϕ 400 Series
AC Axial Fan ϕ 450 Series



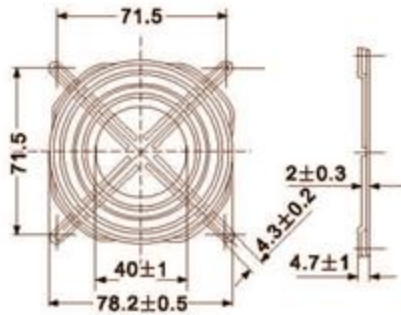
MODEL	VOLTAGE (v)	FREQUENCY (Hz)	CURRENT (A)	INPUT (W)	SPEED (r/min)	AIR VOLUME (m³/h)	NOISE (dBA)	CAPACITOR (µF)	APPROX. WEIGHT (kg)	SIZE				
										L	B	φD	H	A
PD350S-4D	380	50	0.35	150	1380	3000	62	-	4.9	108	50	350	80	422
PD350S-4E	220	50	0.70	150	1380	3000	62	4	4.9	108	50	350	80	422
PD350S-6D	380	50	0.32	90	920	2100	56	-	4.9	108	50	350	80	422
PD350S-6E	220	50	0.41	90	920	2000	56	3	4.9	108	50	350	80	422
PD400S-4D	380	50	0.42	180	1380	4550	67	-	5.6	121	38	400	90	470
PD400S-4E	220	50	0.80	180	1380	4420	67	6	5.6	121	38	400	90	470
PD400S-6D	380	50	0.36	110	920	3160	56	-	5.6	121	38	400	90	470
PD400S-6E	220	50	0.50	110	920	3160	56	4	5.6	121	38	400	90	470
PD450S-4D	380	50	0.53	250	1360	5500	70	-	7.2	129	40	450	80	522
PD450S-4E	220	50	1.13	250	1350	5600	70	8	7.2	129	40	450	80	522
PD450S-6D	380	50	0.42	160	910	4600	59	-	7.2	129	40	450	80	522
PD450S-6E	220	50	0.70	160	910	4600	59	6	7.2	129	40	450	80	522

AC Axial Fan ϕ 500 Series
AC Axial Fan ϕ 550 Series

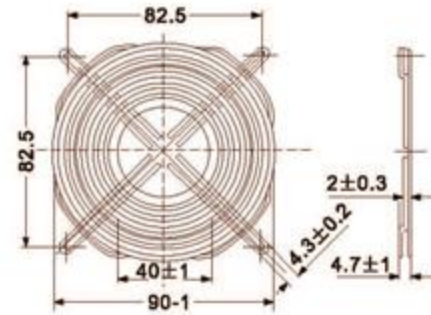


MODEL	VOLTAGE (V)	FREQUENCY (Hz)	CURRENT (A)	INPUT (W)	SPEED (r/min)	AIR VOLUME (m³/h)	NOISE (dBA)	CAPACITOR (μ F)	APPROX. WEIGHT (kg)	SIZE				
										A	B	ϕ D	L	H
PD500S-4D	380	50	0.70	400	1300	6200	71	-	9.5	90	129	500	40	570
PD500S-4E	220	50	1.75	400	1300	6000	71	10	9.5	90	129	500	40	570
PD500S-6D	380	50	0.50	300	900	5800	67	-	9.5	90	129	500	40	570
PD500S-6E	220	50	1.20	300	900	5800	67	10	9.5	90	129	500	40	570
PD550S-4D	380	50	0.95	500	1300	8500	75	-	10.5	100	144	550	60	622
PD550S-4E	220	50	2.10	500	1300	8300	75	10	10.5	100	144	550	60	622
PD550S-6D	380	50	0.75	280	900	6500	70	-	10.5	100	144	550	60	622
PD550S-6E	220	50	1.20	280	900	6500	70	10	10.5	100	144	550	60	622

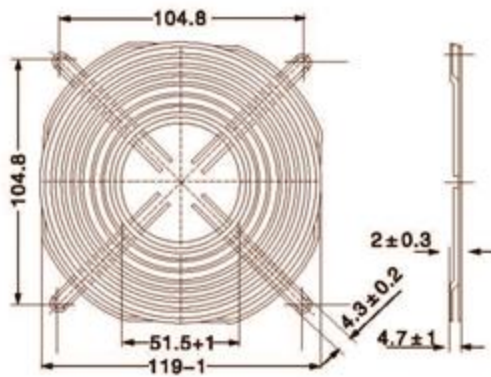
**Metal Guard
Plastic Filter**



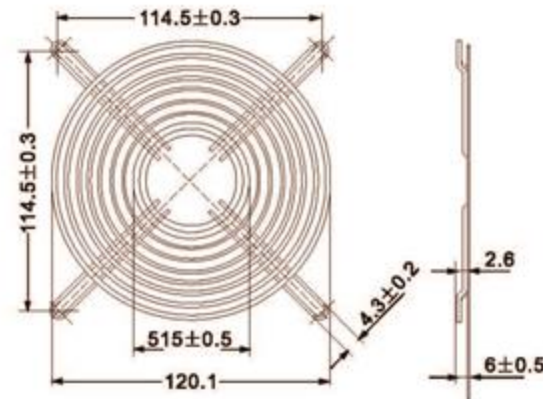
LZ32-80



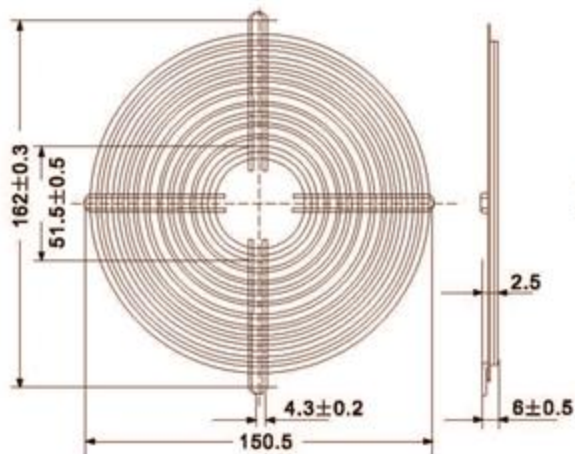
LZ33-90



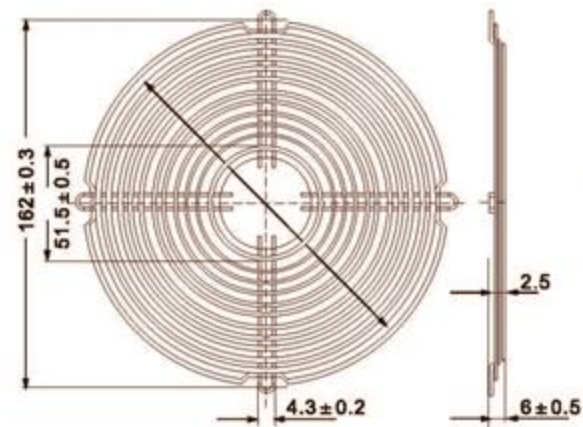
LZ35-110



LZ38-120



LZ40-1-150



LZ40-4-150



SA80X80
FOR FAN 80X80X25MM
FAN 80X80X38MM

SA120X120
FOR FAN 120X120X25MM
FAN 120X120X38MM

SA150X150
FOR FAN 150X150X51MM

SA172X172
FOR FAN Φ 172X51MM



SA172X150
FOR FAN 172X150X51MM

Plastic Filter



Model	ZL-801
Dimension(mm)	106X106
Installation(mm)	81X81
For fan size(mm)	80X80X25
	80X80X38



Model	ZL-802
Dimension(mm)	116X116
Installation(mm)	91X91
For fan size(mm)	90X90X25
	90X90X38



Model	ZL-803
Dimension(mm)	148.5X148.5
Installation(mm)	122X122
For fan size(mm)	120X120X25
	120X120X38



Model	ZL-804
Dimension(mm)	204X204
Installation(mm)	175X175
For fan size(mm)	120X120X25
	120X120X38
	150X150X51
	172X150X51
	Φ172X51

Plastic Filter



Model	ZL-805
Dimension(mm)	255X255
Installation(mm)	223X223
For fan size(mm)	172X150X51
	Φ172X51
	180X180X61
	200X200X61



Model	ZL-806
Dimension(mm)	320X320
Installation(mm)	283X283
For fan size(mm)	172X150X51
	Φ172X51
	200X200X61
	Φ220X61
	Φ230X65



Model	CT-205
Dimension(mm)	204X204
Installation(mm)	176X176
For fan size(mm)	120X120



Model	CT-256
Dimension(mm)	255X255
Installation(mm)	222X222
For fan size(mm)	172X150X55

Plastic Filter IP54 SFA Series



Model	SFA10.000
Dimension(mm)	109X109
Installation(mm)	92X92
For fan size(mm)	80X80X25
	92X92X25



Model	SFA20.000
Dimension(mm)	145X145
Installation(mm)	125X125
For fan size(mm)	120X120X25
	120X120X38



Model	SFA30.000
Dimension(mm)	202X202
Installation(mm)	177X177
For fan size(mm)	120X120X25
	120X120X38



Model	SFA40.000
Dimension(mm)	252X252
Installation(mm)	223X223
For fan size(mm)	172X150X55



Model	SFA60.000
Dimension(mm)	320X320
Installation(mm)	291X291
For fan size(mm)	225X225X80

Plastic Filter IP54 S Series



Model	S-130
Dimension(mm)	130X130
Installation(mm)	104.5x104.5
For fan size(mm)	120X120X38
	120X120X25



Model	S-205
Dimension(mm)	205X205
Installation(mm)	184x184
For fan size(mm)	120X120X38
	135X135X40
	150X150X51
	172X150X51
	Φ172X51
	172X150X55



Model	S-255
Dimension(mm)	255X255
Installation(mm)	233x233
For fan size(mm)	180X180X61
	200X200X61
	Φ220X61
	Φ230X65



Model	S-323
Dimension(mm)	323X323
Installation(mm)	302x302
For fan size(mm)	280X280X80

Plastic Filter IP54 SFC Series



Model	SFC20.000
Dimension(mm)	156X156
Installation(mm)	122X122
For fan size(mm)	110X110X25
	120X120X25
	120X120X38



Model	SFC30.000
Dimension(mm)	209X209
Installation(mm)	175X175
For fan size(mm)	120X120X25
	120X120X38
	150X150X51
	150X172X51
	Φ172X51



Model	SFC40.000
Dimension(mm)	258X258
Installation(mm)	223X223
For fan size(mm)	200X200X61
	225X225X80



Model	SFC60.000
Dimension(mm)	316X316
Installation(mm)	283X283
For fan size(mm)	280X280X80

Plastic Filter IP54 SFD Series



Model	SFD20.000
Dimension(mm)	156X156
Installation(mm)	122X122
For fan size(mm)	80X80X25
	110X110X25
	120X120X25
	120X120X38



Model	SFD30.000
Dimension(mm)	205X205
Installation(mm)	175X175
For fan size(mm)	110X110X25
	120X120X25
	120X120X38
	150X150X51
	150X172X51
	Φ172X51



Model	SFD40.000
Dimension(mm)	254X254
Installation(mm)	223X223
For fan size(mm)	120X120X25
	120X120X38
	150X150X51
	180X180X61
	200X200X61
	Φ220X61



Model	SFD60.000
Dimension(mm)	312X312
Installation(mm)	283X283
For fan size(mm)	120X120X25
	120X120X38
	150X150X51
	180X180X61
	Φ220X61
	280X280X80

Note: the fan air flow remain 20~30% after be installed the fan filter

salzer

樂清市樂怡電器有限公司

YUEQING LEYI ELECTRIC CO., LTD.

ADD: 12F LEYI BUILDING LEYI ROAD

YUEQING ZHEJIANG 325600 CHINA

TEL: 0086 577 62578091 (5 LINES)

FAX: 0086 577 62576780

EMAIL: salzer@salzer-electric.com

HTTP: www.salzer-electric.com

ATTN: ZHOU XING LUN

We remain the right to change the spectification at any time without notice.