

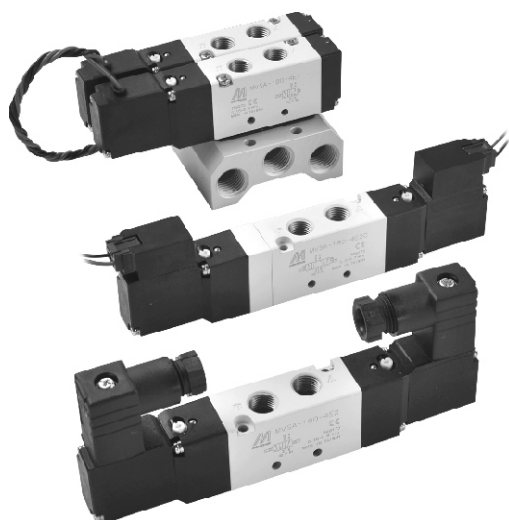
MVSA-180 series

SOLENOID VALVE



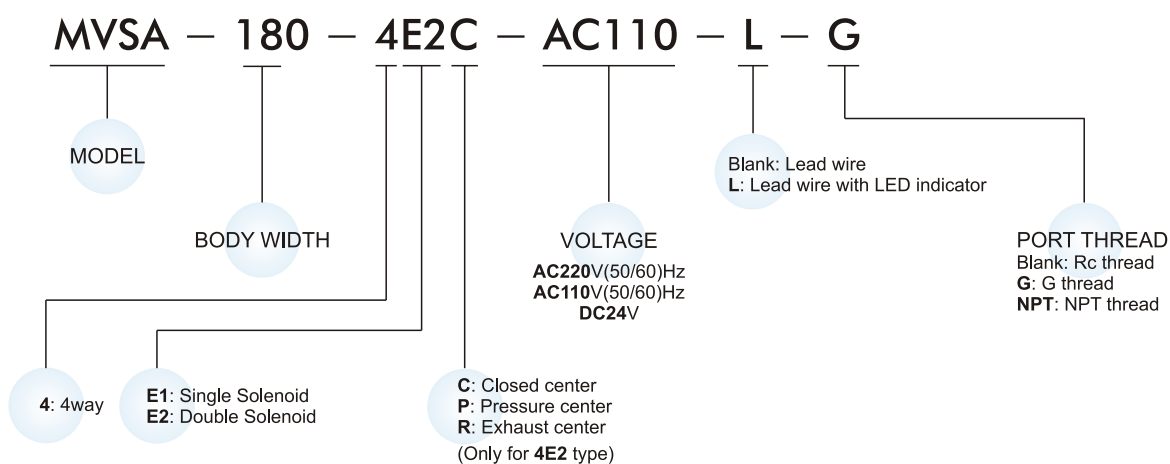
mindman

Specification

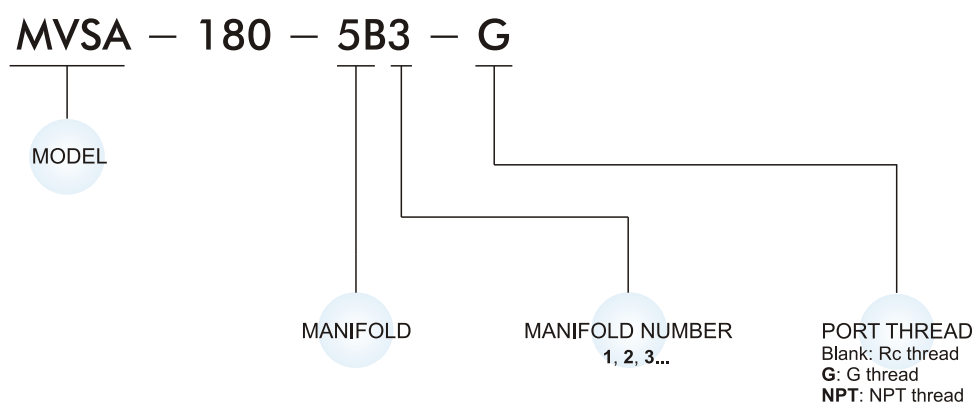


Model	4E1	4E2	4E2C.P.R
Bore No.	6A		
Port size	Rc1/8		
No. of port	5		
No. of position	2	3	
Medium	Air		
Operating pressure range	0.15~0.8 MPa		0.2~0.7 MPa
Proof pressure	1 MPa		
Effective orifice	12 mm ²		9 mm ²
Response time	30 ms		
Ambient temperature	-5~ +50°C (No freezing)		
Voltage	AC110V, 220V (50/60)Hz, DC24V		
Power consumption	AC=2.1/1.8VA, DC=1.6W		
Available voltage range	± 10%		
Insulation class	B class		
Weight	100 g	143 g	155 g

Order example of valve



Order example of manifold

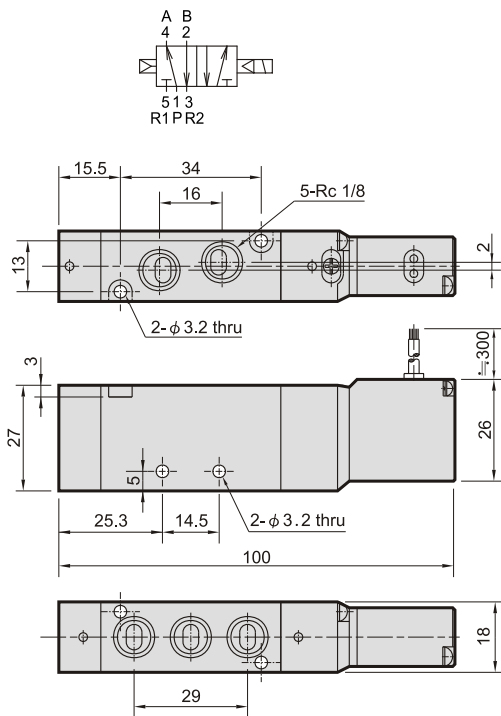


mindman

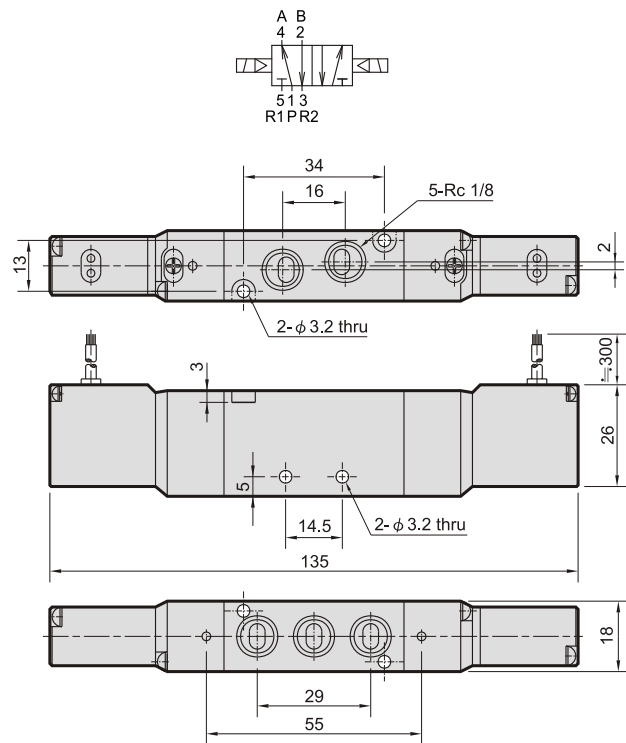
MVSA-180 Dimensions

SOLENOID VALVE

MVSA-180-4E1

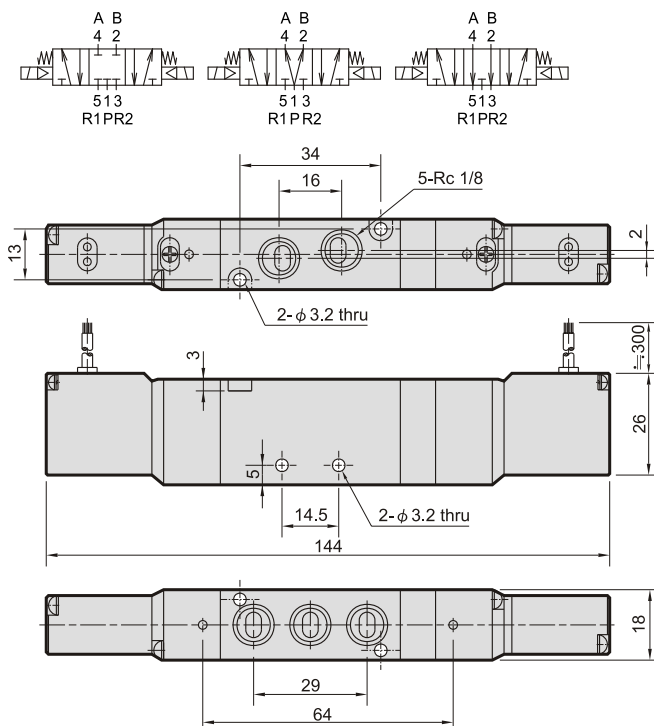


MVSA-180-4E2

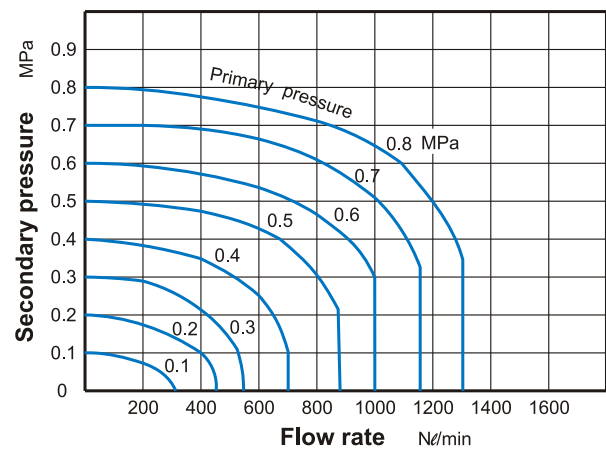


MVSA-180-4E2C.PR

MVSA-180-4E2C MVSA-180-4E2P MVSA-180-4E2R



Flow features

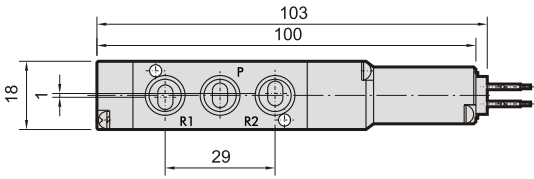
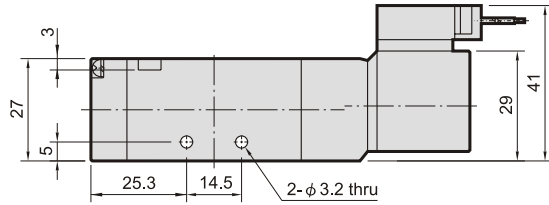
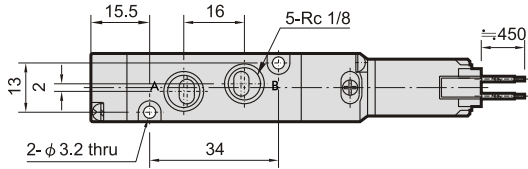
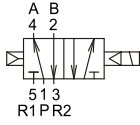


MVSA-180 Dimensions

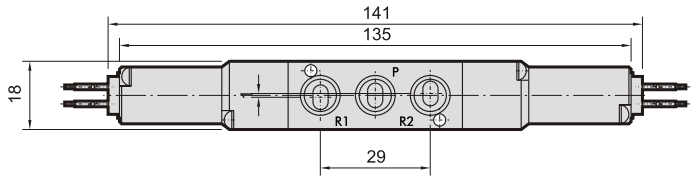
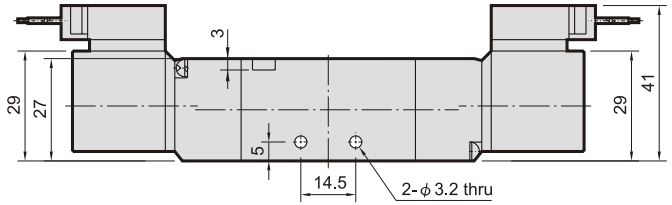
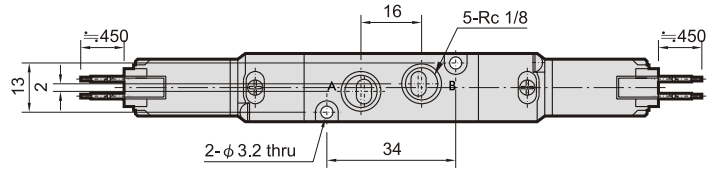
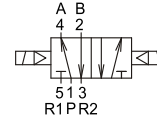
SOLENOID VALVE



MVSA-180-4E1-L

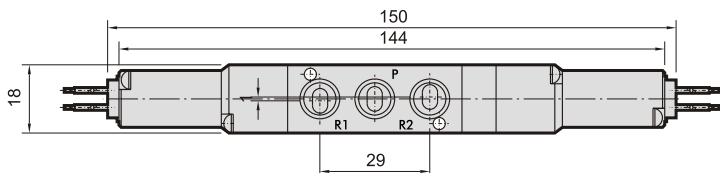
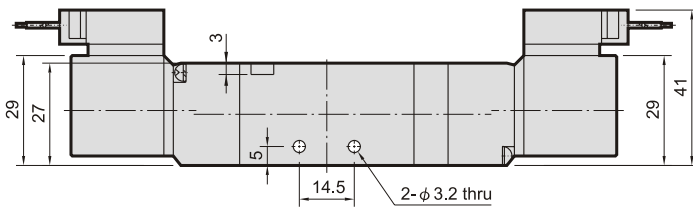
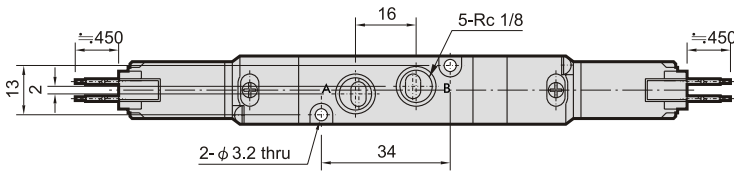
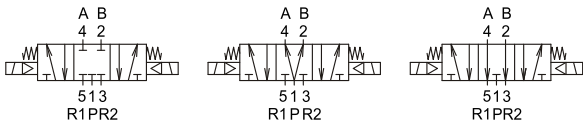


MVSA-180-4E2-L



MVSA-180-4E2C.PR-L

MVSA-180-4E2C-L MVSA-180-4E2P-L MVSA-180-4E2R-L



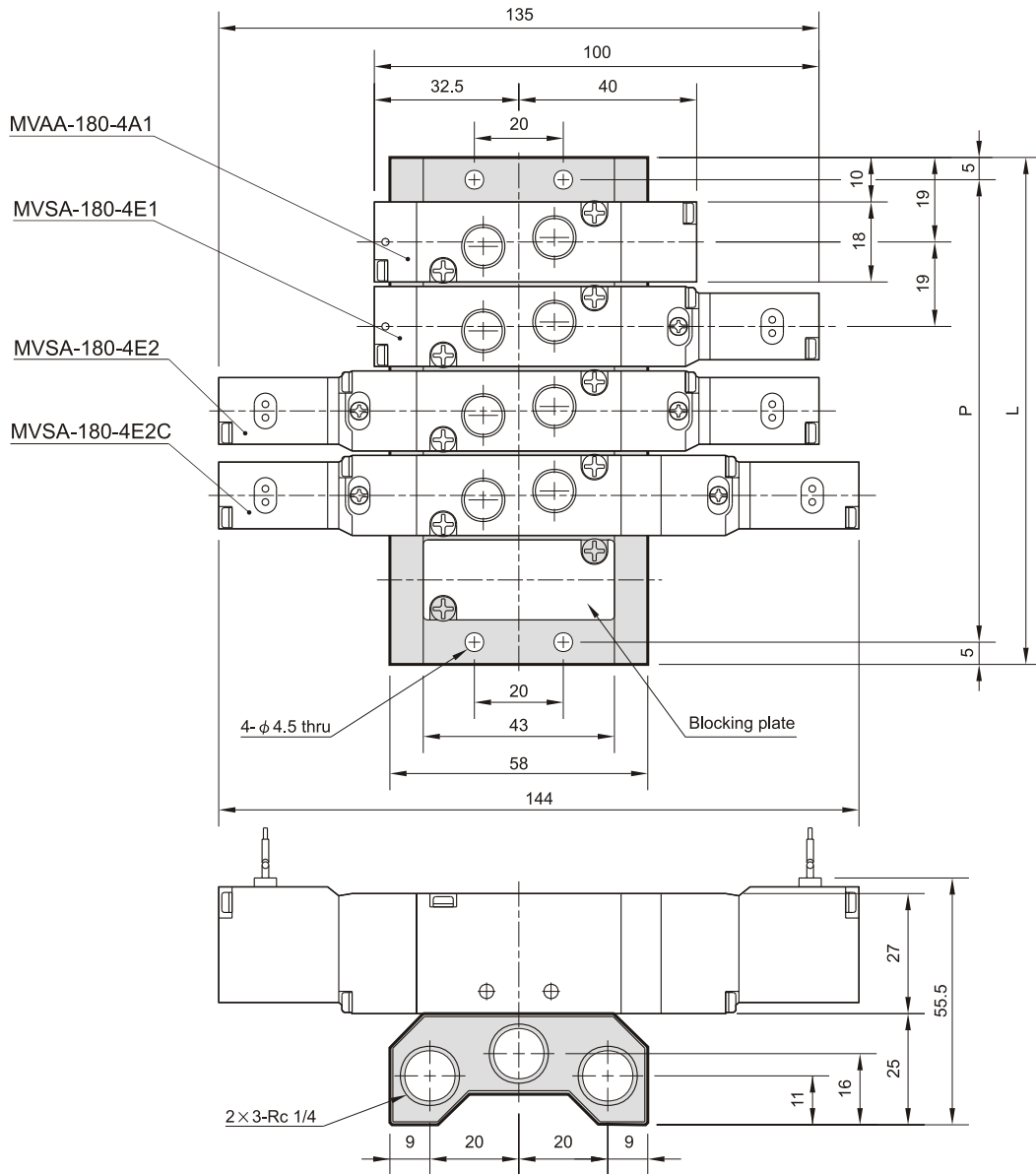
MVSA-180 Manifold

SOLENOID VALVE



Mindman

MVSA-180-5B*



No. of stations	P	L
2	47	57
3	66	76
4	85	95
5	104	114
6	123	133
7	142	152
8	161	171
9	180	190
10	199	209



Mindman