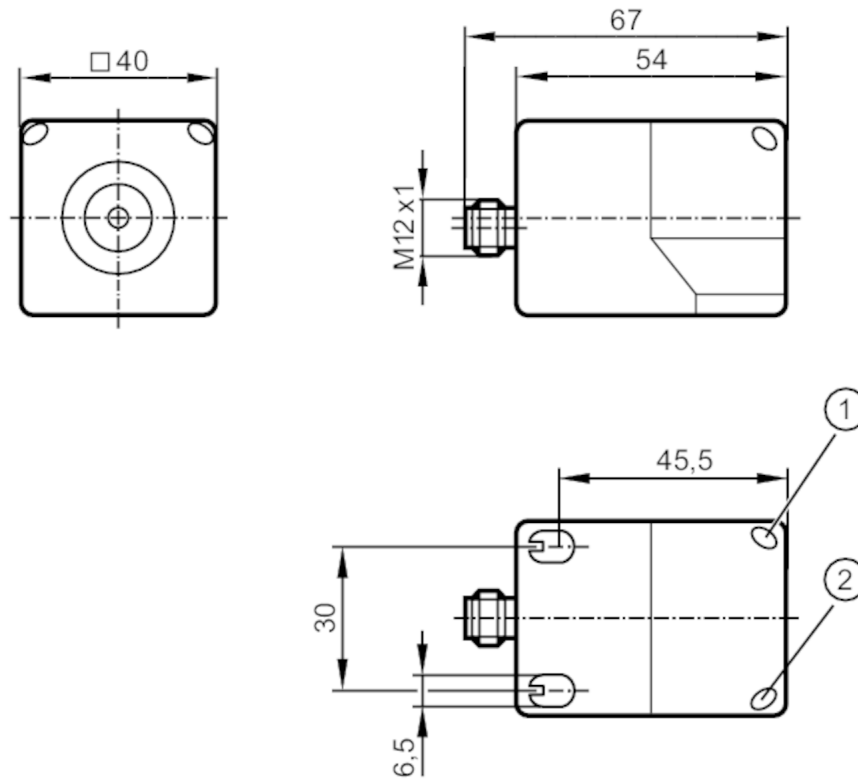


IM5143



Inductive analog sensor with IO-Link

IMC4035A2PKG/IO/US



- 1 LED yellow
- 2 LED green



Product characteristics	
Electrical design	PNP/NPN; (configurable)
Output function	normally open / closed; (configurable)
Communication interface	IO-Link
Housing	rectangular
Dimensions [mm]	40 x 40 x 54
Electrical data	
Operating voltage [V]	15...30 DC
Current consumption [mA]	< 33
Protection class	II
Reverse polarity protection	yes

IM5143



Inductive analog sensor with IO-Link

IMC4035A2PKG/IO/US

Outputs	
Electrical design	PNP/NPN; (configurable)
Output function	normally open / closed; (configurable)
Max. voltage drop switching output DC [V]	2.5
Permanent current rating of switching output DC [mA]	100
Switching frequency DC [Hz]	100
Analog voltage output [V]	0...10; (linear; gradient: 0,3125 V/mm; for frontal approach and for target made of mild steel: 105 x 105 x 1 mm)
Min. load resistance [Ω]	2000
Short-circuit protection	yes
Overload protection	yes
Monitoring range	
Measuring range [mm]	3...35
Switch point IO-Link [mm]	6.13...32.69
Accuracy / deviations	
Correction factor	steel: 1 / stainless steel: 0.8 / brass: 0.5 / aluminum: 0.5 / copper: 0.4
Hysteresis [% of Sr]	3...15
Note on hysteresis	configurable
Linearity error of analog output [%]	± 2 ; (of the final value of the measuring range)
Repeatability analog output [%]	± 2 ; (of the final value of the measuring range)
Temperature coefficient [%/K vom MEW]	$\pm 0,15$
Temperature drift	± 5 %; (of the final value of the measuring range)
Reaction times	
Response time [ms]	< 20

IM5143



Inductive analog sensor with IO-Link

IMC4035A2PKG/IO/US

Interfaces		
Communication interface	IO-Link	
Transmission type	COM2 (38,4 kBaud)	
IO-Link revision	1.1	
SDCI standard	IEC 61131-9	
Profiles	Smart Sensor: Identification and diagnosis; Multi-channel, two setpoint switching sensor, type 0 Generic Profiled Sensor; Teach Channel	
SIO mode	yes	
Required master port class	A	
Min. process cycle time [ms]	3.2	
IO-Link process data (cyclical)	Function	bit length
	process value	16
	device status	4
	binary switching information	2
IO-Link functions (acyclical)	switching cycles counter; switch-on cycle counter; operating hours counter; internal temperature; application specific tag	
	Type of operation	DeviceID
Supported DeviceIDs	default	1206
	Note	
For further information please see the IODD PDF file at "Downloads"		
Operating conditions		
Ambient temperature [°C]	-25...80	
Protection	IP 67	
Tests / approvals		
EMC	EN 61000-4-2 ESD	4 kV CD / 8 kV AD
	EN 61000-4-3 HF radiated	10 V/m
	EN 61000-4-4 Burst	2 kV
	EN 61000-4-6 HF conducted	10 V
	EN 55011	class B
MTTF [years]	231	
Embedded software included	yes	
UL approval	Ta	-25...70 °C
	Enclosure type	Type 1
	voltage supply	Limited Voltage/Current
	UL approval number	A026
	File number UL	E174191
Mechanical data		
Weight [g]	157.5	
Housing	rectangular	
Mounting	non-flush mountable	
Dimensions [mm]	40 x 40 x 54	
Material	PA; stainless steel (1.4404 / 316L)	
Displays / operating elements		
Display	target in measuring range	1 x LED, yellow lights
	target outside measuring range	1 x LED, yellow flashing
	Power	LED, green

IM5143



Inductive analog sensor with IO-Link

IMC4035A2PKG/IO/US

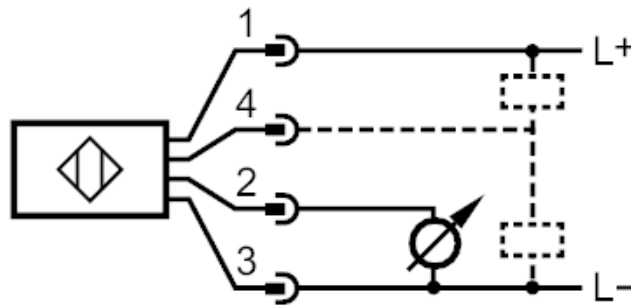
Remarks	
Remarks	Installation only with stainless steel plate 16x40x3 and 2 cylinder screws ISO 4762-12.9
Pack quantity	1 pcs.

Electrical connection - plug

Connector: 1 x M12; coding: A



Connection



- | | |
|---|---------------|
| 1 | L + |
| 2 | OUT |
| 3 | L - |
| 4 | OUT / IO-Link |