

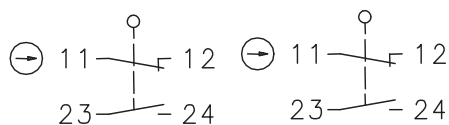
# Rope pull switch

## Series SIRK

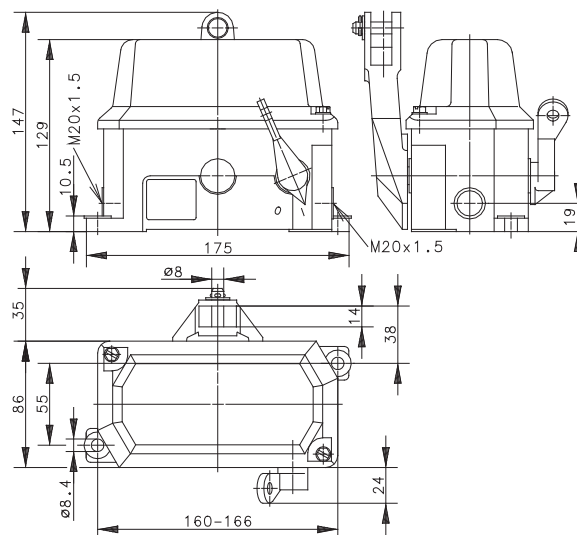
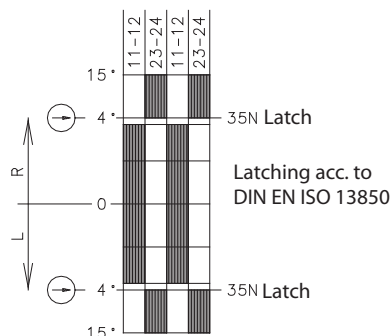
Description **SIRK-U2Z R**

Article number **6015625001**

### Operating symbol



### Operating diagram



### Electrical data

Rated insulation voltage	$U_i$	250 V AC
Conv. thermal current	$I_{the}$	10 A
Rated operational voltage	$U_e$	240 V
Utilization category		AC 15, $U_e / I_e$ 240 V / 3 A, 120 V / 6 A DC 13, $U_e / I_e$ 250 V / 0,27 A, 125 V / 0,55 A
Direct opening action	$\ominus$	acc. to IEC/EN 60947-5-1, Annex K
Short-circuit protective device		Fuse 6 A gG, IEC/EN 60947-5-1
Protection class		II, totally insulated

Mechanische Daten	
Enclosure	ABS
Cover	ABS
Lever	PP (glass fibre reinforced)
Ambient air temperature	-30 ° C ... +80 ° C
Contact type	2 NC, 2 NO (Zb)
Mechanical life	1 x 10 <sup>5</sup> switching cycles
Switching frequency	max. 30 / min.
Assembly	2 x M8
Connection	8 screw connections (M3,5)
Conductor cross-sections	Solid: 0,5 ... 1,5 mm <sup>2</sup> or Litz wire with ferrules: 0,5 ... 1,5 mm <sup>2</sup>
Cable entrance	2 x M20 x 1,5
Weight	≈ 0,8 kg
Latch	Latching at 4°, lever to reset
Protection type	IP65 acc. to IEC/EN 60529; DIN VDE 0470 T1

ID for safety engineering	
B10d	1 x 10 <sup>5</sup> cycles

Vorschriften	
	VDE 0660 T100, DIN EN 60947-1, IEC 60947-1
	VDE 0660 T200, DIN EN 60947-5-1, IEC 60947-5-1
	VDE 0660 T210, DIN EN 60947-5-5, IEC 60947-5-5
	DIN EN ISO 13849-1

EU Conformity	
	acc. to directive 2014/35/EU (Low-Voltage-Directive)

Approvals	
	c <sub>CSA</sub> US A300 (same polarity)
	CCC

Notes	
<p>Maintenance free.                      Rope with accessories available on request.                      The integrity of the IP rating is contingent upon the use of corresponding cable gland and a closed cover.                      Copies are not retreated in case of alternations</p>	