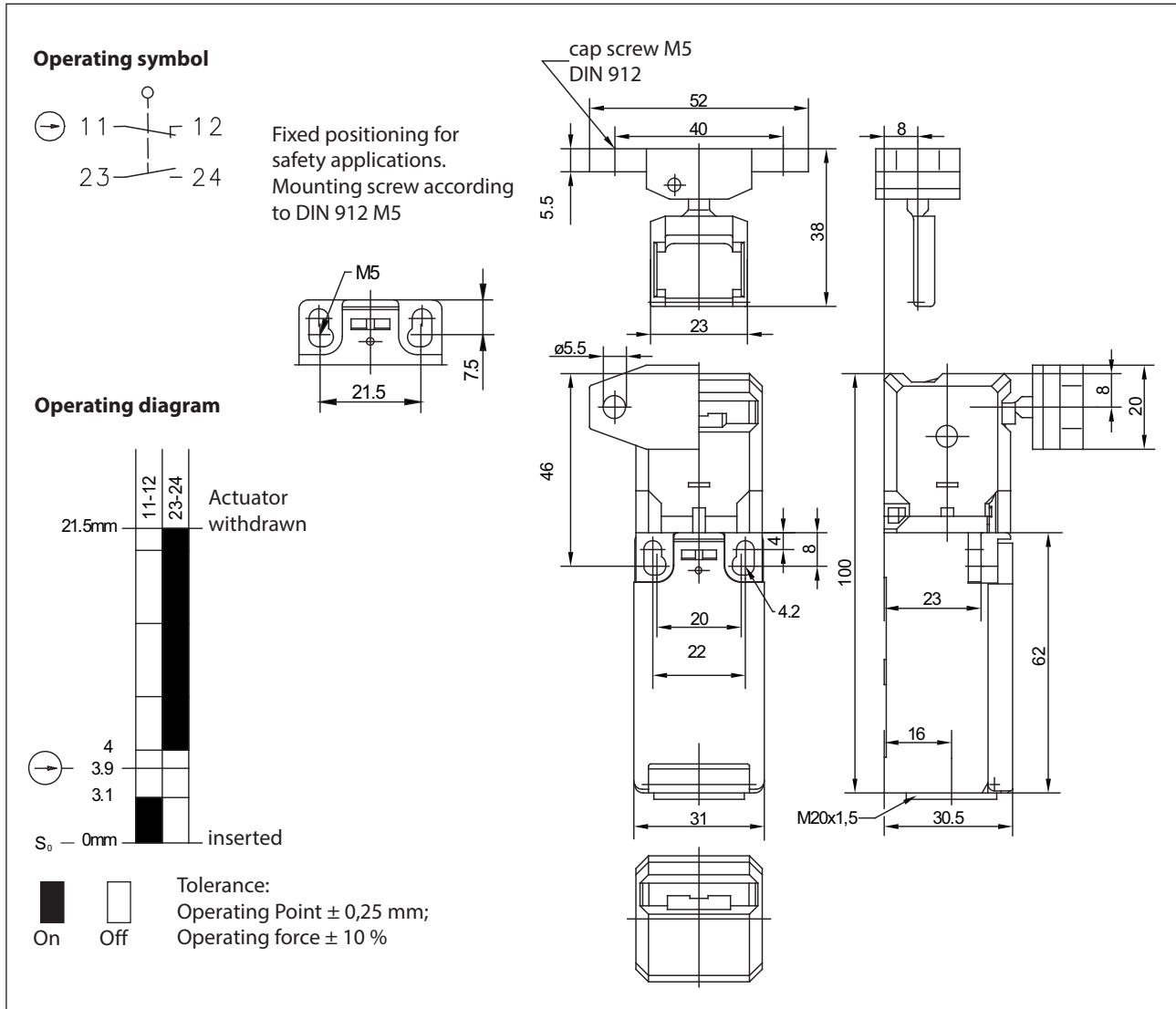


Safety switch Series SKI – with separate actuator

Description **SKI-U1Z MRU**

Article number **6016819123**



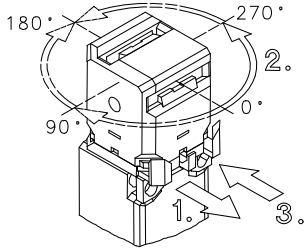
Electrical Data

Rated insulation voltage	U _i	250 V AC
Conv. thermal current	I _{the}	10 A
Utilization category		AC-15, U _e /I _e 240 V / 3 A
Direct opening action	⊖	acc. to IEC/EN 60947-5-1, annex K
Short-circuit protective device		Fuse 10 A gG
Protection class		II, totally insulated

Mechanical data	
Enclosure	Thermoplastic, glass fibre reinforced (UL 94-V0)
Cover	Thermoplastic, glass fibre reinforced (UL 94-V0)
Actuator	Separate actuator (metal)
Extraction force	10 N
Ambient air temperature	-30° C ... +80° C
Contact type	1 NC, 1 NO (Zb)
Mechanical life	1 x 10 ⁶ operating cycles
Switching frequency	≤ 30 / min.
Assembly	Safety switch 2 x M4
	Actuator 2 x M5
Connection	4 screw connections (M3,5)
Conductor cross-sections	Solid: 0,5 ... 1,5 mm ² or Litz wire with ferrules: 0,5 ... 1,5 mm ²
Cable entrance	1 x M20 x 1,5
Weight	≈ 0,12 kg
Installation position	operator definable
Protection type	IP65 acc. to IEC/EN 60529

ID for safety engineering	
B10d	2 x 10 ⁶ switching cycles

Actuation	
To achieve the 8 different actuator points please follow the next instructions	
(1)	pull fixing clamp
(2)	turn actuator
(3)	push fixing clamp



Standards	
	VDE 0660 T100, DIN EN 60947-1, IEC 60947-1
	VDE 0660 T200, DIN EN 60947-5-1, IEC 60947-5-1
	DIN EN ISO 13849-1

EU Conformity	
	acc. to directive 2006/42/EC

Approvals	
	TÜV Rheinland, Product Safety
	cCSA _{US} A300 (same polarity)
	CCC

Notes

The degree of protection (IP code) specified applies solely to a properly closed cover and the use of an equivalent cable gland with adequate cable.

The switch may not be used as a mechanical stop.

Radial actuation may reduce the mechanical life.

The min. radius refers to a pivot at the top of the cap (S0).

Tapped holes not in use must be closed with blind plugs.

