

Spring plungers

FSTE-HD G1/4-AG 25 VG

Part no...:10.01.02.00875

<https://www.schmalz.com/10.01.02.00875>

Home > Vacuum Technology for Automation > Vacuum Components > Mounting Elements > Spring Plungers > Spring Plungers FSTE-HD > FSTE-HD G1/4-AG 25 VG

Spring plunger with damping and height compensation, heavy-duty



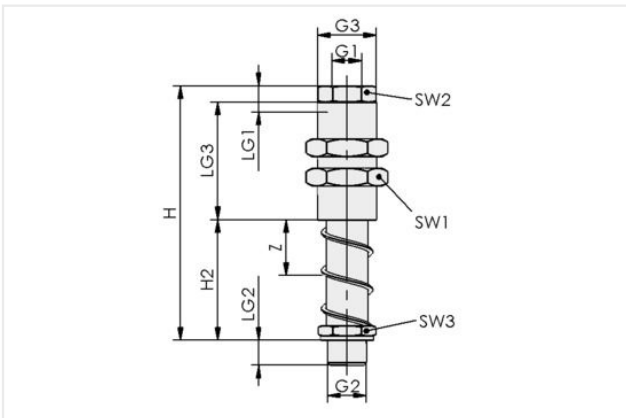
Suction cup connection: G1/4"-M

Vacuum connection: G1/8"-F

Spring stroke Z: 25 mm

Shape mounting elements: With rotation lock

Design Data



Attribute	Value
G1	G1/8"-F
G2	G1/4"-M
G3	M20x1.5-M
H	86 mm
H2	40.50 mm
LG1	12.80 mm
LG2	8.50 mm
LG3	40 mm
SW1	24 mm
SW2	17 mm
SW3	17 mm
Z (Stroke)	25 mm

Technical Data

Attribute	Value
Spring rate	0.71 N/mm
Spring pretension	6.47 N
Spring force, center	15.36 N
Vertical load	2400 N
Horizontal load	747 N
Weight	145 g

Contact Schmalz

J. Schmalz GmbH | Johannes-Schmalz-Str.1, 72293 Glatten, Germany | +49 7443 2403-102 | customercenter@schmalz.de

Spring plungers

FSTE-HD G1/4-AG 25 VG

Part no...:10.01.02.00875

<https://www.schmalz.com/10.01.02.00875>

Operating temperature	0 ... 80 °C
Product family	FSTE-HD

Note: Spring force: Referred to 50 % of operating stroke Vertical loading: Maximum static loading Horizontal stress: The specification of the horizontal stress refers to the lower edge of the plunger with extended spring. It is a maximum static stress and it impairs the spring compression and extension in horizontal position

Accessories



FLK G1/4-IG G1/4-AG

Part no...:10.01.03.00178

Thread G1: G1/4"-F

Thread G2: G1/4"-M

Operating temperature: 0 ... 70 °C



KGL G1/4-IG G1/4-AG

Part no...:10.01.03.00110

Thread G1: G1/4"-F

Thread G2: G1/4"-M

Height H: 37.5 mm

Spring plungers

FSTE-HD G1/4-AG 25 VG

Part no...:10.01.02.00875

<https://www.schmalz.com/10.01.02.00875>



KGL G1/4-IG M10x1.25-AG

Part no...:10.01.03.00137

Thread G1: G1/4"-F

Thread G2: M10x1.25-M

Height H: 37.5 mm



FLK G1/4-IG M10x1.25-AG

Part no...:10.01.03.00206

Thread G1: G1/4"-F

Thread G2: M10x1.25-M

Operating temperature: 0 ... 70 °C



HTR-STA 55 1N D20 WI

Part no...:10.08.03.00086

Length L: 55 mm

Connection 1: Sliding block

Connection of suction cup, spring plunger: Contour D20-G1/4

Shape: angled

Spring plungers

FSTE-HD G1/4-AG 25 VG

Part no...:10.01.02.00875

<https://www.schmalz.com/10.01.02.00875>



HTR-UNI 2N FSTE-HDB

Part no...:10.01.03.00332

Operating temperature: °C

Shape: for FSTE-HDB

Cross-beam connection: 2 T-slots



ST G1/8-AG 4 MS-ROH

Part no...:10.08.03.00153

Thread G1: G1/8"-M

Hose diameter (empf.) d: 4 mm

Material: Brass

Surface: raw

Length L: 4 mm

Nominal diameter dn: 2.5 mm



ST G1/8-AG 6 MS-V

Part no...:10.08.03.00154

Thread G1: G1/8"-M

Hose diameter (empf.) d: 6 mm

Material: Brass

Surface: nickel plated

Length L: 5 mm

Nominal diameter dn: 4.4 mm

Spring plungers

FSTE-HD G1/4-AG 25 VG

Part no...:10.01.02.00875

<https://www.schmalz.com/10.01.02.00875>



ST G1/8-AG 9 MS-V

Part no...:10.08.03.00155

Thread G1: G1/8"-M

Hose diameter (empf.) d: 9 mm

Material: Brass

Surface: nickel plated

Length L: 5 mm

Nominal diameter dn: 4 mm



STV-GE G1/8-AG 4

Part no...:10.08.02.00202

Thread G1: G1/8"-M

Hose diameter: 4 mm

Material: Brass

Operating temperature: -20 ... 80 °C

External diameter D: 7.9 mm

Length L: 13.7 mm



STV-GE G1/8-AG 6

Part no...:10.08.02.00204

Thread G1: G1/8"-M

Hose diameter: 6 mm

Material: Brass

Operating temperature: -20 ... 80 °C

External diameter D: 11.4 mm

Length L: 16.4 mm

Contact Schmalz

J. Schmalz GmbH | Johannes-Schmalz-Str.1, 72293 Glatten, Germany | +49 7443 2403-102 | customercenter@schmalz.de

Spring plungers

FSTE-HD G1/4-AG 25 VG

Part no...:10.01.02.00875

<https://www.schmalz.com/10.01.02.00875>



STV-GE G1/8-AG 8

Part no...:10.08.02.00206

Thread G1: G1/8"-M

Hose diameter: 8 mm

Material: Brass

Operating temperature: °C

External diameter D: 14 mm

Length L: 20.7 mm



STV-W G1/8-AG 4

Part no...:10.08.02.00156

Thread G1: G1/8"-M

Hose diameter: 4 mm

Material: Nickel plated

Operating temperature: -20 ... 80 °C

Length L: 16.4 mm



STV-W G1/8-AG 6

Part no...:10.08.02.00158

Thread G1: G1/8"-M

Hose diameter: 6 mm

Material: Nickel plated

Operating temperature: -20 ... 80 °C

Length L: 20.1 mm

Spring plungers

FSTE-HD G1/4-AG 25 VG

Part no...:10.01.02.00875

<https://www.schmalz.com/10.01.02.00875>



STV-W G1/8-AG 8

Part no...:10.08.02.00160

Thread G1: G1/8"-M

Hose diameter: 8 mm

Material: Nickel plated

Operating temperature: -20 ... 80 °C

Length L: 24 mm



STV-GE G1/8-AG 6 HT

Part no...:10.08.02.00389

Thread G1: G1/8"-M

Hose diameter: 6 mm

Material: Brass

Operating temperature: -20 ... 120 °C

External diameter D: 11.6 mm

Length L: 19 mm



STV-W G1/8-AG 6

Part no...:10.08.02.00288

Thread G1: G1/8"-M

Hose diameter: 6 mm

Material: Plastic

Operating temperature: °C

Length L: 20.8 mm

Contact Schmalz

J. Schmalz GmbH | Johannes-Schmalz-Str.1, 72293 Glatten, Germany | +49 7443 2403-102 | customercenter@schmalz.de

Spring plungers

FSTE-HD G1/4-AG 25 VG

Part no...:10.01.02.00875

<https://www.schmalz.com/10.01.02.00875>



STV-W G1/8-AG 6 HT

Part no...:10.08.02.00391

Thread G1: G1/8"-M

Hose diameter: 6 mm

Material: Brass

Operating temperature: -50 ... 200 °C

Length L: 22.5 mm



STV-WF G1/8-AG 4

Part no...:10.08.02.00166

Thread G1: G1/8"-M

Hose diameter: 4 mm

Material: Nickel plated

Operating temperature: -10 ... 70 °C

Length L: 17.4 mm



STV-WF G1/8-AG 6

Part no...:10.08.02.00168

Thread G1: G1/8"-M

Hose diameter: 6 mm

Material: Nickel plated

Operating temperature: -10 ... 70 °C

Length L: 21.4 mm

Spring plungers

FSSTE-HD G1/4-AG 25 VG

Part no...:10.01.02.00875

<https://www.schmalz.com/10.01.02.00875>



STV-WF G1/8-AG 8

Part no...:10.08.02.00170

Thread G1: G1/8"-M

Hose diameter: 8 mm

Material: Nickel plated

Operating temperature: -10 ... 70 °C

Length L: 23.4 mm



STV-WF G1/8-AG 10

Part no...:10.08.02.00257

Thread G1: G1/8"-M

Hose diameter: 10 mm

Material: Nickel plated

Operating temperature: -10 ... 70 °C

Length L: 25.2 mm



STV-T G1/8-AG 4

Part no...:10.09.02.00039

Thread G1: G1/8"-M

Hose diameter: 4 mm

Material: Brass

Operating temperature: °C

Length L: 32.5 mm

Spring plungers

FSTE-HD G1/4-AG 25 VG

Part no...:10.01.02.00875

<https://www.schmalz.com/10.01.02.00875>



STV-T G1/8-AG 6

Part no...:10.09.02.00040

Thread G1: G1/8"-M

Hose diameter: 6 mm

Material: Brass

Operating temperature: °C

Length L: 41.5 mm



STV-T G1/8-AG 8

Part no...:10.09.02.00041

Thread G1: G1/8"-M

Hose diameter: 8 mm

Material: Brass

Operating temperature: °C

Length L: 48.7 mm