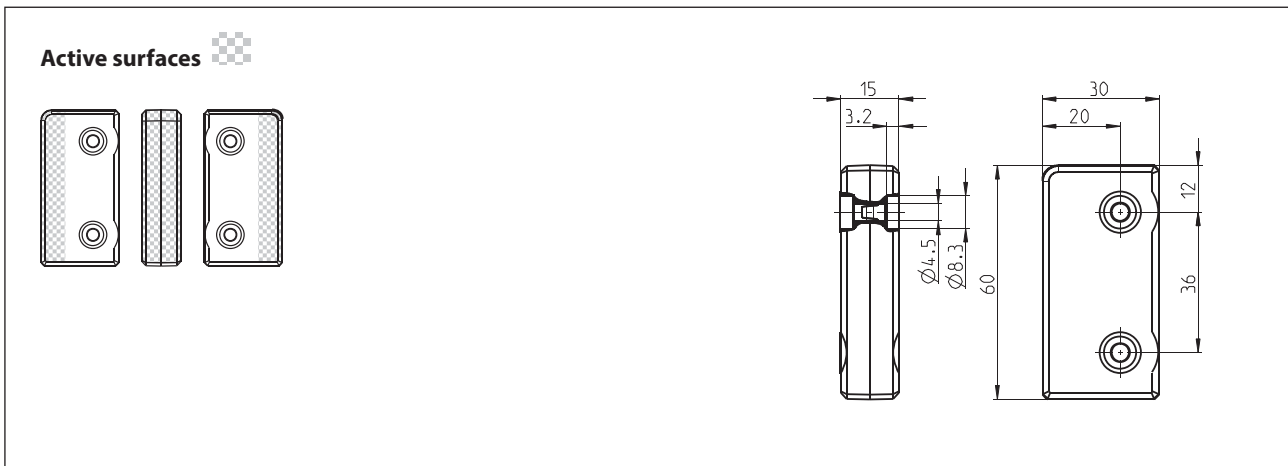


## Safety switch Series CSMS

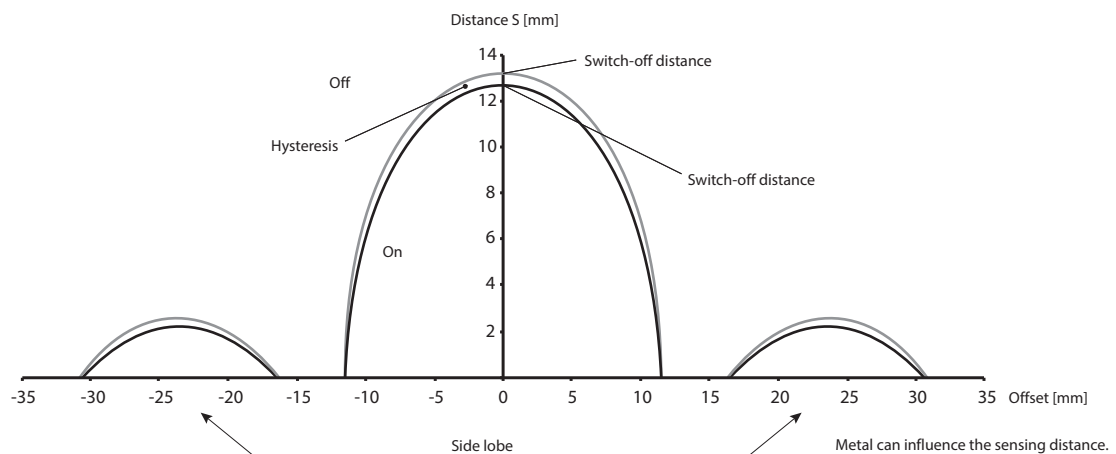
Description **CSMS-S-H**

Article number **6075980052**



**Sensing distance** (Only in conjunction with CSMS of the Bernstein AG – see page 2 „Use“.)

		min.	typ.	max.
Rated sensing distance	$S_n$		13 mm	
Assured sensing distance – On	$S_{ao}$	10 mm		
Hysteresis	H		0,5 mm	
Assured sensing distance – Off	$S_{ar}$			19 mm



Electrical Data	
Transponder frequency	6,78 MHz
Repeatability	0,1 x S (within the limits Smin and Smax)
Operating frequency	≤ 1Hz
Electromagnetic interference	according to EN IEC 60947-5-2 and EN 61326-3-1

Mechanical Data	
Enclosure	Macromelt, red / PA 6, black
Mounting	2 holes Ø 4,5 (for M4 screws)
Tightening torque (max.)	1Nm
Shock and Swing	acc. to EN IEC 60947-5-2
Ambient temperature	-25°C ... +70°C
Storage temperature	-25°C ... +70°C
Maximum relative humidity	90 % @ 40 °C without condensation
Altitude	≤ 2000 m NHN
Mass	27 g
Type of protection	IP67
Protection class acc. to EN IEC 61558	III
Pollution degree	3 (metallic pollution can cause impairments of the operating distances.)

Safety data (according to EN ISO 13849-1)	
Up to PL	e
Category	4
Service life	20 years
MTTFd	High
SIL	3 (according to EN 62061:2005)

Standards	
	EN 60947-1, EN 60947-5-2, EN 61326-3-1
	EN ISO 13849-1, EN ISO 13849-2, EN 61508
	EN 60947-5-3, EN 60204-1, EN 61131-2, EN 62061
	ETSI EN 300330-1, ETSI EN 300330-2

EU-Conformity	
	according to Directive 2006/42/EG
	according to Directive 1999/5/EG

Approvals	
	TÜV Nord, cCSAus

Use		
Article number	Description	Description - CSMS, can be switched in series,
6075985048	CSMS-M-RRS-H-KA	with return circuit and start button monitoring, cable version
6075986050	CSMS-M-RRS-H-ST	with return circuit and start button monitoring, M12 connector
6075985049	CSMS-M-R-H-KA	be connected to a safety monitoring device, cable version
6075986051	CSMS-M-R-H-ST	be connected to a safety monitoring device, M12 connector