

Bellows suction cup (round)

SAB 60 NBR-60 G3/8-IG

Part no...:10.01.06.00674

<https://www.schmalz.com/10.01.06.00674>

Home > Vacuum Technology for Automation > Vacuum Components > Vacuum Suction Cups > Suction Cups for Handling Sheet Metal > Bellows Suction Cups SAB (1.5 Folds) > SAB 60 NBR-60 G3/8-IG

Bellows suction cup (round) for very dynamic handling of smooth and oily workpieces



Size: 60

Suction cup material: Nitrile rubber NBR

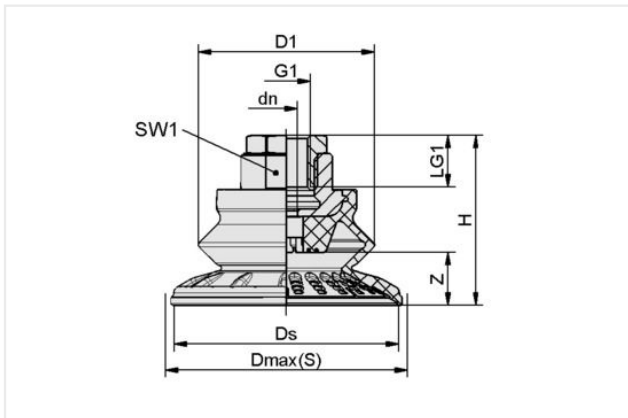
Material hardness [Shore A]: 60 Shore A

Nipple material: Aluminum

Connection: G3/8-IG

Number of folds: 1.5

Design Data



Attribute	Value
dn	6 mm
D1	48 mm
Dmax(S)	67 mm
Ds	61.10 mm
G1	G3/8"-F
H	41.30 mm
LG1	15 mm
SW1	22 mm
Z (Stroke)	14.50 mm

Note: Acceptable dimensional tolerances for elastomer parts concerning to DIN ISO 3302-1 M3

Technical Data

Attribute	Value
Suction force (-600mbar)	82 N
Pull-off force	130 N
Lateral force	145 N
Lateral force (oily surface)	77 N
Volume	28.80 cm ³
Curve radius (min) (convex)	65 mm
Hose diameter (empf.) d	6 mm

Contact Schmalz

J. Schmalz GmbH | Johannes-Schmalz-Str.1, 72293 Glatten, Germany | +49 7443 2403-102 | customercenter@schmalz.de

Bellows suction cup (round)

SAB 60 NBR-60 G3/8-IG

Part no...:10.01.06.00674

<https://www.schmalz.com/10.01.06.00674>

Size	60
Suction cup material	Nitrile rubber NBR
Material hardness [Shore A]	60 Shore A
Weight	40 g
Product family	SAB
Number of folds	1.50

Note: Suction force: The specified suction forces are theoretical values at a vacuum of -0.6 bar and with a dry, smooth and flat workpiece surface - they do not include a safety factor Lateral force: The specified lateral forces are values measured at a vacuum of -0.6 bar with a dry or oily, smooth, flat workpiece surface. Depending on the workpiece surface and its quality, the actual values may deviate from these values Hose diameter: The recommended hose diameter refers to a hose length of approx. 2 m
