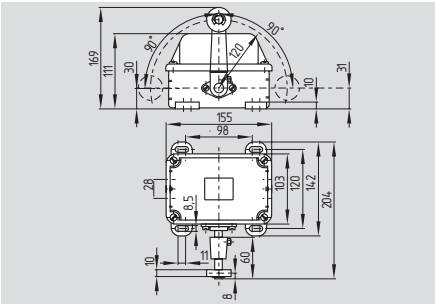


Position and limit switches

T. 067



- Metal enclosure
- 2 contact, slow action ⊖
- Actuating direction, each time **90° right-hand side and left-hand side rotation**
- 4 cable entries M20 x 1.5
- Protection class IP 65
- Splined shaft and lever available with 10° tothing

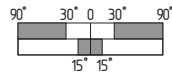
Technical data

Standards: IEC/EN 60947-5-1
 Enclosure: cast iron, galvanised, chromated, paint finish
 Protection class: IP 65 to EN 60529
 Contact material: silver
 Switching system: slow action, double break
 Contact type: positive break, NC contacts ⊖
 Termination: screw terminals M 5
 Cable section: max. 4 mm² (incl. conductor ferrules)
 U_{imp}: 6 kV
 U_i: 500 V
 I_{the}: 25 A
 I_e/U_e: 10 A / 230 VAC
 Utilisation category: AC-15
 Max. fuse rating: 16 A gL/gG D-fuse
 Contact opening: max. 2 x 4 mm
 Ambient temperature: - 30 °C ... + 90 °C
 Mechanical life: 1 million operations
 Switching frequency: max. 1000/h
 Actuating speed: max. 3 m/s, min. 0.05 m/s
 Actuating angle: max. 30°
 Weight: approx. 3.4 kg

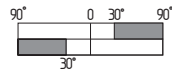
Contact variants

Roller lever

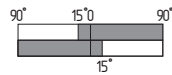
1 NO / 1 NC



2 NO



2 NC



Approvals

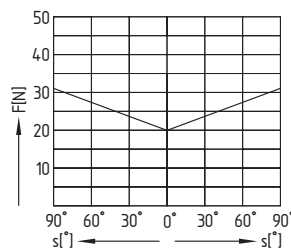


Ordering details

T 067-②y-③

No.	Replace	Description
①		For the appropriate actuator: see page 1-146
②	02	2 NC
	11	1 NO/1 NC
	20	2 NO
	01/01	1 NC left/1 NC right
	10/10	1 NO left/1 NO right
③	ü	Slow action with overlapping contacts
	h	with staggered contacts

Force-travel diagram



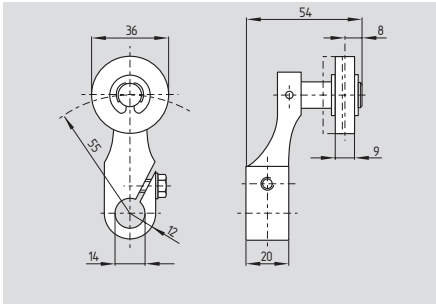
Note

The contact combinations can be found in the table on page 1-32.

A selection of turning levers can be found on page 1-146.

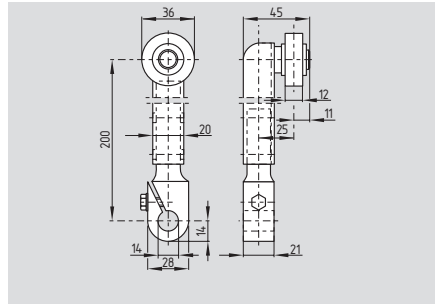
Position and limit switches

Roller lever L



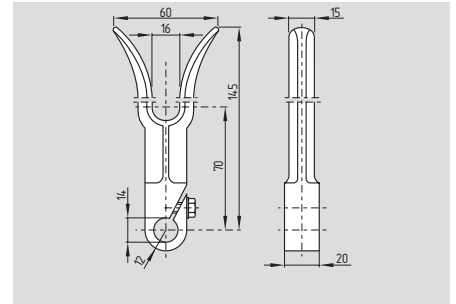
- Actuating speed max. 3 m/s with an actuating angle of α and $\beta = 30^\circ$
- Plastic roller
- Continuous adjustment of lever position 360°
- Splined shaft and lever available with 10° tothing
- Available with metal roller
- Available with rubber roller, ordering suffix -1

Roller lever V



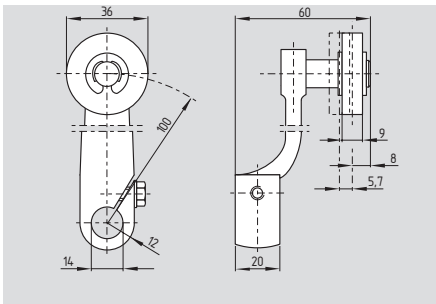
- Actuating speed max. 3 m/s with an actuating angle of α and $\beta = 30^\circ$
- Plastic roller
- Continuous adjustment of lever position 360°
- Splined shaft and lever available with 10° tothing
- Available with metal roller
- Available with rubber roller, ordering suffix -1

Fork lever C



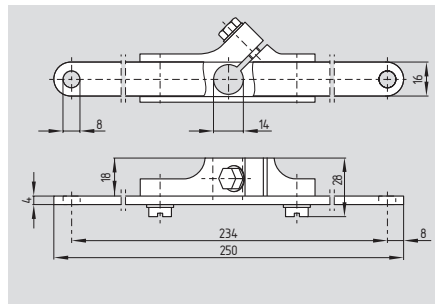
- Continuous adjustment of lever position 360°
- Splined shaft and lever available with 10° tothing

Roller lever A



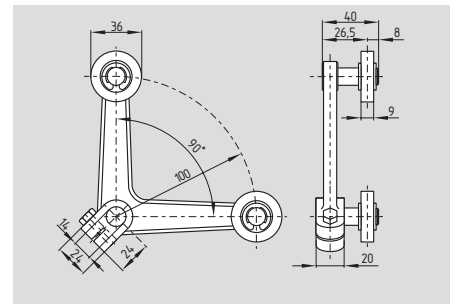
- Actuating speed max. 3 m/s with an actuating angle of α and $\beta = 30^\circ$
- Plastic roller
- Continuous adjustment of lever position 360°
- Splined shaft and lever available with 10° tothing
- Available with metal roller
- Available with rubber roller, ordering suffix -1

Pull lever Z



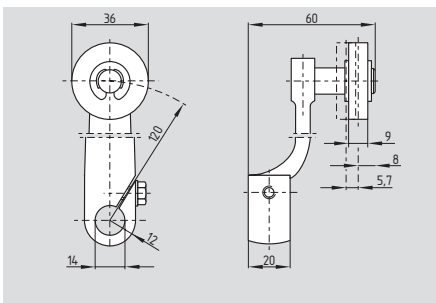
- Continuous adjustment of lever position 360°
- Splined shaft and lever available with 10° tothing

Offset roller lever 4D



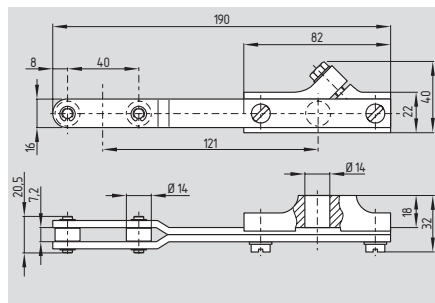
- Continuous adjustment of lever position 360°
- Splined shaft and lever available with 10° tothing

Roller lever 2A



- Actuating speed max. 3 m/s with an actuating angle of α and $\beta = 30^\circ$
- Plastic roller
- Continuous adjustment of lever position 360°
- Splined shaft and lever available with 10° tothing
- Available with metal roller
- Available with rubber roller, ordering suffix -1

Pull lever 2Z



- Continuous adjustment of lever position 360°
- Splined shaft and lever available with 10° tothing

Legend

α : Actuating angle from right of switch axis
 β : Actuating angle from left of switch axis