

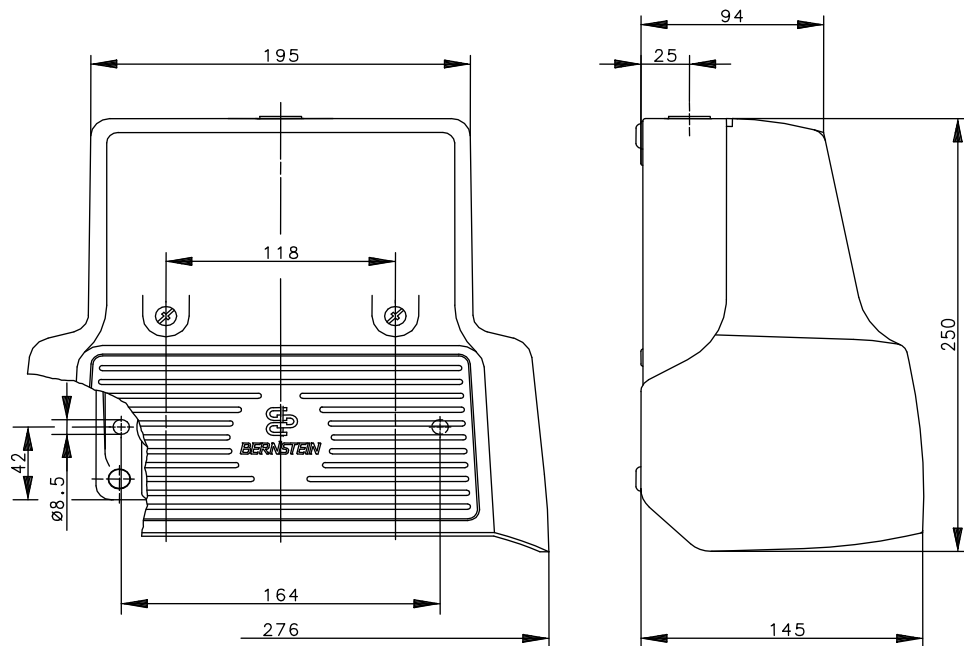
# Technical Data

## Footswitch

### Series F2 UN

Description **F2-U2Z/SU1MIRG UN**

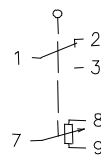
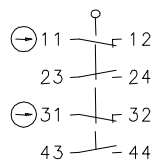
Article number **6162630452**



Operating symbol

Pedal left

Pedal right



#### Electrical data pedal left

Rated insulation voltage	$U_i$	400 V AC
Conv. thermal current	$I_{the}$	10 A
Rated operational voltage	$U_e$	240 V
Utilization category		AC-15, $U_e / I_e$ 240 V / 3 A
Positive opening NC contact	$\ominus$	IEC/EN 60947-5-1 (pedal stop)
Short-circuit protective device		Fuse 2 A gG IEC/EN 60947-5-1
Safety class		I (based on footswitch cpl.)

#### Electrical data pedal right

		Micro switch	Potentiometer
Rated current	$I$	5 A	—
Contact current	$I_c$	—	max. 0,1 $\mu$ A
Load	$P$	—	0,5 W / 40 °C
Rated voltage	$U$	250 V AC	$U_{max} = \sqrt{P \times R}$
Ferrule resistor	$R$	—	10 K $\pm$ 20 %
Short-circuit protective device		— 2 A gG	Fuse —
Safety class		I (based on footswitch cpl.)	

This document will not become the contractual basis; the details included herein do not constitute any descriptions of expected conditions, so that warranties/claims for defects on account of possible variations of the actual qualities from the qualities described herein are explicitly excluded. All rights reserved. Specifications subject to change without notice!

Date of issue: 19.11.2012 / Page 1 of 2  
Document : 6162630452\_en / Last update: 2 / 2766-12

# Technical Data

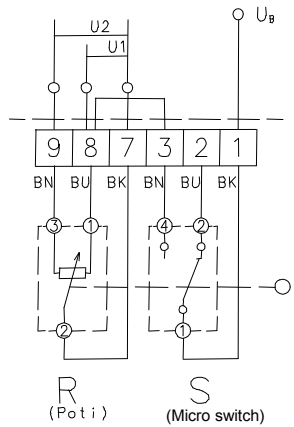
## Footswitch

Mechanical data		
Housing		AL
Protective guard (Accident protection cover UN)		AL
Operation		Fußhebel (PA)
Ambient air temperature		-30°C bis +80°C
Contact type	pedal left	4 NC, 4 NO (Zb)
	pedal right	1 changeover ,potentiometer (10kΩ)
Operating force		ca. 10 N (pedal centre)
Mechanical life		10 x 10 <sup>6</sup> switching cycles
		500000 turning cycles (potentiometer)
Switching frequency		max. 20/min
Assembly		2 screws M8
Connection	pedal left	contactscrews M3,5
	pedal right	connecting terminal M2
Number of connections	pedal left	8 x M3,5
	pedal right	6 x M2
Protection ground		2 x M4
Conductor cross-sections	pedal left	Solid: 0,5 – 1,5 mm <sup>2</sup>
		Litz wire with ferrules: 0,5 – 1,5 mm <sup>2</sup>
Cable entrance	pedal right	Solid: ≤1 mm <sup>2</sup>
		Litz wire with or without ferrules: ≤1 mm <sup>2</sup>
Weight		≈ 2,8 kg
Protection type		IP65 acc. to IEC/EN 60529
Regulations		
		VDE 0660 T100, DIN EN 60947-1, IEC 60947-1
		VDE 0660 T200, DIN EN 60947-5-1, IEC 60947-5-1
Micro switch		DIN EN 61058-1 (VDE 0630 Teil 1): 1993-05
		DIN EN 61058-1: 1992 ÷ A1: 1993-05
EC Conformity		
		acc. to directive 2006/95/EC

### Comments

Unused thread holes are closed with thread plugs.  
 The degree of protection specified (IP code) applies only to a properly closed protective guard and the use of an equivalent cable gland or thread plug.

Connection example  
 (wiring diagram of the switch block)



If the right pedal depressed,  
 is the potentiometer preset on ≤100Ω.  
 (measured between 1 and 2 at the potentiometer)

This document will not become the contractual basis; the details included herein do not constitute any descriptions of expected conditions, so that warranties/claims for defects on account of possible variations of the actual qualities from the qualities described herein are explicitly excluded. All rights reserved. Specifications subject to change without notice!