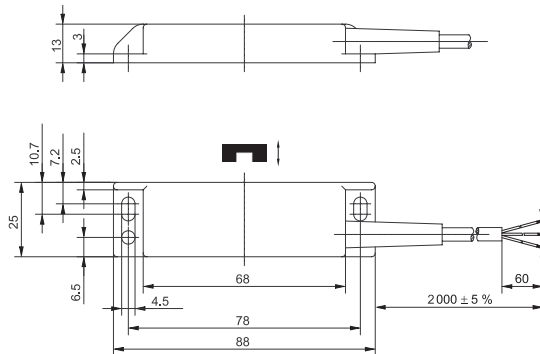
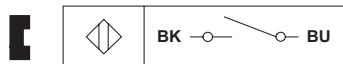


Magnetic Switch Series MA-42

Description **MAK-4212-F-2**

Article number **6314242601**

Wiring diagram



Identifying characteristics in accordance with EN 60947-5-2 and EN 62246-1

Electrical data		
Assured operating distance	S_a	25 mm
Switching element function		N.O.
Reed contact	max. switching voltage	250 V
	max. switching current	3 A
	max. switching capacity	100 VA
	mechanical lifetime	3×10^8 switchings
Repeat accuracy	R	$\pm 0,1$ mm, under same geometrical conditions at the same temperature
Release point		55 mm
Shock		50 g (11 ms, ½ Sine wave)
Vibration		35 g (10-1000 Hz)
Corresponding magnet		TK-42

Mechanical data	
Enclosure	PA6.6, black; encapsulated reed contact
Ambient air temperature	-5 °C to +70 °C
Type of protection	IP 67 acc. to IEC 529, EN 60529
Termination type	cable 2 x 0,5 mm ² , PVC -outer jacket black
Assembly position	optional (assembly on iron means reduction of switch distance)

EU Conformity
acc. to directive 2014/35/EU (Low-Voltage-Directive)

Notes
Pay attention to the contact protection when switching inductive loads.