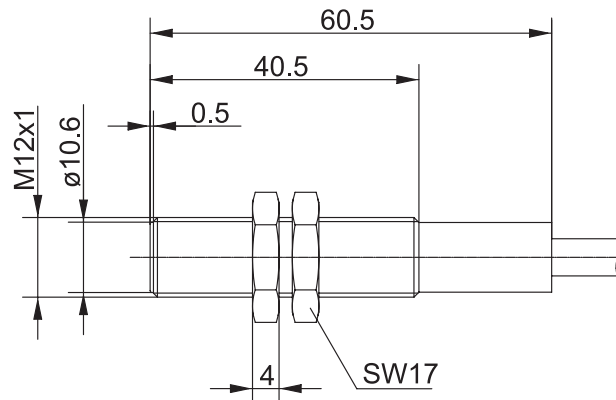
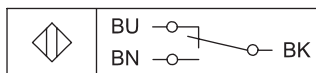


## Magnetic Switch Series MA-18

Description **MAM-1813-L-1**

Article number **6316318002**

### Wiring diagram



### Technical data

|                                  |                       |   |
|----------------------------------|-----------------------|---|
| Switching function               | C.O.                  |   |
| Reference magnet                 | T-62 N/S (6301262039) |   |
| Assured operating distance - ON  | $S_{ao}$              | $\geq 10$ mm  |
| Assured operating distance - OFF | $S_{ar}$              | $\leq 30$ mm  |
| Repeat accuracy                  | R                     | $\pm 0,1$ mm, under same geometrical conditions at the same temperature |
| Utilization category             | DC-12                 |   |
| Frequency of operating cycles    | f                     | 10 Hz   |

### Electrical data

|                                       |   |  |
|---------------------------------------|---|--|
| Max. voltage                          | 250 V AC / DC   |  |
| Max. switching current                | 1 A   |  |
| Max. switching capacity               | 60 VA   |  |
| Min. switching capacity               | 3 VA  |  |
| Protection class acc. to EN IEC 61140 | II (totally insulated)  |  |
| Note                                  | Combinations of switching voltage and switching current must not exceed the maximum switching capacity. |  |

| Mechanical data   |   |
|-------------------|---|
| Enclosure         | CuZn39Pb3; encapsulated reed contact  |
| Front cap         | PA 6.6, black   |
| Temperature range | - 5 °C ... + 70 °C (cable not fixed mounted)<br>- 25 °C ... + 70 °C (cable fixed mounted) |
| Mechanical life   | 3 x 10 <sup>8</sup> operating cycles  |
| Vibration         | 35 G (10 - 1000 Hz)   |
| Shock             | 50 G (11 ms, ½ Sinewave)  |
| Protection type   | IP 67 acc. to EN 60529  |
| Termination type  | Cable 3 x 0,5 mm <sup>2</sup> x 1 m; PVC - Outer jacket, black                            |
| Assembly position | optional<br>(assembly on ferromagnetic material means reduction of switch distance)       |
| For attachment    | 2 x hexagon nut; brass, nickel plated   |

| Standards |              |
|-----------|--------------|
|           | EN 60947-5-1 |
|           | EN 62246-1   |

| EU Conformity |  |
|---------------|--|
|               | acc. to directive 2014/35/EU (Low-Voltage-Directive) |

| Notes   |  |
|---|--|
| Contact protection must be provided for inductive and capacitive loads. |  |