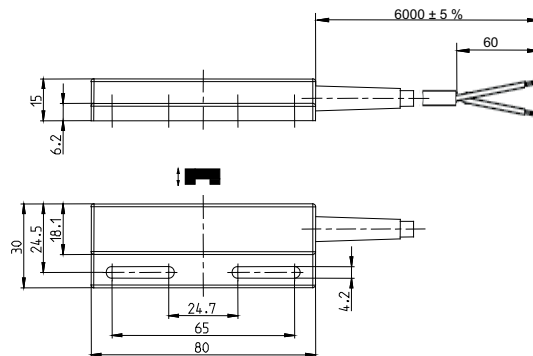
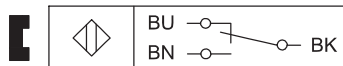


Magnetic Switch Series MA-44

Description **MAK-4413-M-6**

Article number **6317344605**

Wiring diagram



Identifying characteristics in accordance with EN 60947-5-1 and EN 62246-1

Electrical data		
Assured operating distance	S_a	22 mm
Switching element function		C.O.
Reed contact	max. switching voltage	250 V
	max. switching current	1 A
	max. switching capacity	60 VA
	mechanical lifetime	3 x 10 ⁸ switchings
Repeat accuracy	R	± 0,1 mm, under same geometrical conditions at the same temperature
Max. Release point		50 mm
Shock		50 g (11 ms, ½ Sinevawe)
Vibration		35 g (10-1000 Hz)
Corresponding magnet		TK-44

Mechanical data	
Enclosure	PA6.6, black; encapsulated reed contact
Ambient air temperature	-5 °C to +70 °C
Type of protection	IP 67 acc. to EN 60529
Termination type	cable 3 x 0,5 mm ² x 6 m ± 5 %, PVC-outer jacket black
Assembly position	optional (assembly on iron means reduction of switch distance)

EU Conformity
acc. to directive 2014/35/EU (Low-Voltage-Directive)

Notes
Pay attention to the contact protection when switching inductive loads.