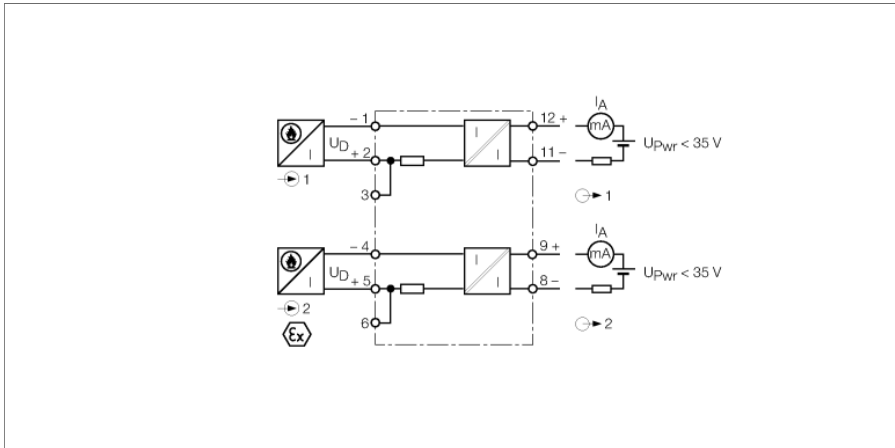


Isolating transducer for fire and smoke detectors
2-channel
IM33-FSD-EX/L



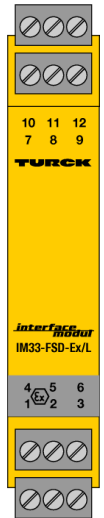
The 1-channel isolating transducer for fire and smoke detectors IM33-FSD-EX/L is designed especially for connection of conventional fire and smoke detectors in the Ex-area.

They are supplied with energy. Actuation of a smoke detector results in a current change and the according signal is transmitted to the non-Ex area. Several detectors can be connected to one circuit.

Input and output circuits are galvanically isolated from each other. The inputs of the isolating transducer are reverse polarity protected.

A current-to-ground error can be detected safely via an external current-to-ground detector.

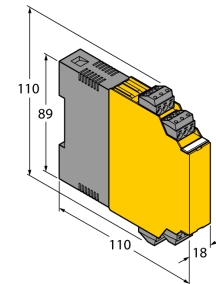
- ATEX, „FM_{us}“
- Isolating transducer without auxiliary power
- Power supply for fire and smoke detectors
- Signal transmission: 0...40 mA
- Removable terminal blocks, screwable, with 2 mm test box
- Complete galvanic isolation
- Input reverse-polarity protected



Isolating transducer for fire and smoke detectors
2-channel
IM33-FSD-EX/L

Type designation	IM33-FSD-EX/L
Ident-No.	7506433
Nominal voltage	24 VDC loop-powered
Input resistance	300 Ω
Voltage input	max. 30 VDC
Input current	0...40 mA
Output circuits	
Output current	0...40 mA
Load	≤ 500 Ω
Rise time (10...90 %)	≤ 10 ms
Fall time (90...10 %)	≤ 10 ms
Measuring accuracy (including linearity, hysteresis and repeatability)	≤ 2 % of full scale
Reference temperature	23 °C
Temperature drift	≤ 0.1 % of full scale/K
Galvanic isolation	
Test voltage	2.5 kV
Important note	For Ex-applications the values specified in the corresponding Ex certificates (ATEX, IECEx, UL, etc.) apply.
Ex approval acc. to conformity certificate	TÜV 02 ATEX 1862
Application area	II (1) GD
Ignition protection category	[EEx ia] IIC
Protection class	IP20
Flammability class acc. to UL 94	V-0
Ambient temperature	-20...+70 °C -25 ... +60 °C für FM
Storage temperature	-40...+80 °C
Dimensions	110 x 18 x 110 mm
Weight	144 g
Mounting instructions	DIN rail (NS35) or panel
Housing material	Polycarbonate/ABS
Electrical connection	4 × 3-pin removable terminal blocks with test socket, reverse polarity protected, screw terminal
Terminal cross-section	1 x 2.5 mm ² / 2 x 1.5 mm ²
Tightening torque	0.5 Nm

Dimensions



Isolating transducer for fire and smoke detectors
2-channel
IM33-FSD-EX/L

Accessories

Type code	Ident-No.	Description	Dimension drawing
IM-CC-3X2BU/2BK	6900475	Cage clamp terminals for IM modules (Ex-devices with 18 mm overall width); includes: 2 pcs. 3-pin blue terminals and 2 pcs. 3-pin black terminals.	