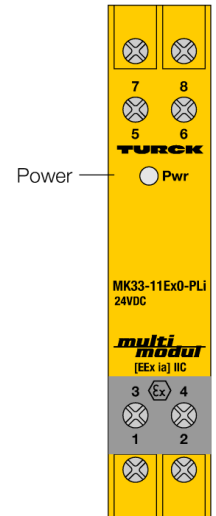
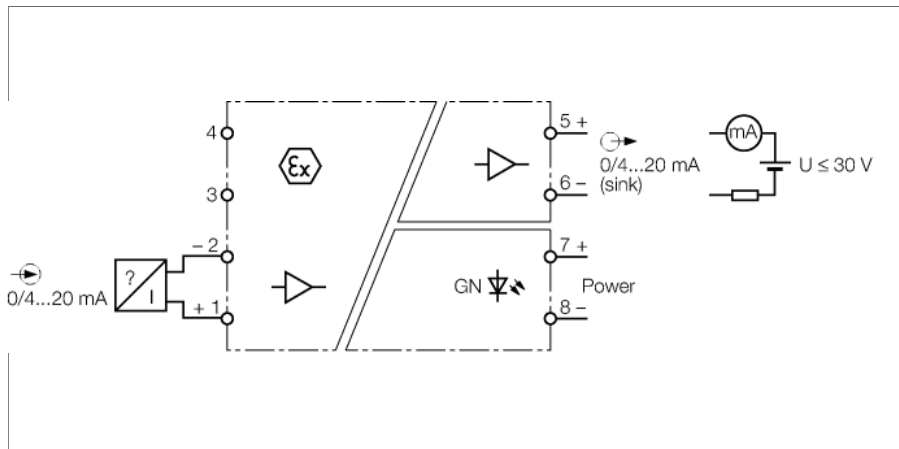


**Isolating transducer
1-channel
MK33-11EX0-PLI/24VDC**



- Intrinsically safe input circuits EEx ia
- Application area acc. to ATEX: II (1) GD
- Power supply of 2-wire measuring transducers
- Input circuit: 0/4...20 mA
- Passive output circuit: 0/4...20 mA
- Galvanic separation of input circuits, output circuits and power supply
- Complete galvanic isolation
- Input reverse-polarity protected

Isolating transducer
1-channel
MK33-11EX0-PLI/24VDC

Type designation	MK33-11EX0-PLI/24VDC
Ident-No.	7506436
Nominal voltage	24 VDC
Operating voltage range	19...29 VDC
Power consumption	≤ 2.3 W
Transmitter connection	
Current	0/4...20 mA
Input resistance	50 Ω
Input current	4...20 mA
Input resistance (current)	≤ 50 Ω
Current	0/4...20 mA
Output circuits	0/4...20 mA passive
Output current	4...20 mA
Load	≤ 500 Ω
Load resistance, current output	≤ 0.5 kΩ
Rise time (10...90 %)	≤ 90 ms
Fall time (90...10 %)	≤ 90 ms
Measuring accuracy (including linearity, hysteresis and repeatability)	≤ 0.2 % of full scale
Temperature drift	≤ 0.01 % of full scale/K
Galvanic isolation	
Galvanic isolation	input circuit to output circuit and supply voltage for 250Veff; test voltage 4 kVeff
Test voltage	4.0 kV
Important note	For Ex-applications the values specified in the corresponding Ex certificates (ATEX, IECEx, UL, etc.) apply.
Ex approval acc. to conformity certificate	TÜV 03 ATEX 2312
Application area	II (1) GD
Ignition protection category	[EEx ia] IIC
Indication	
Operational readiness	green
Protection class	IP20
Ambient temperature	-25...+70 °C
Storage temperature	-40...+80 °C
Dimensions	89 x 18 x 70 mm
Weight	92 g
Mounting instructions	DIN rail (NS35) or panel
Housing material	Polycarbonate/ABS
Electrical connection	4 × 2-pin flat terminals with self-lifting pressure plates
Terminal cross-section	1 x 2.5 mm ² / 2 x 1.5 mm ²

Dimensions

