



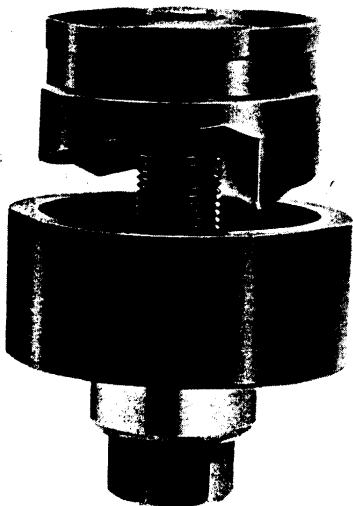
SLUG-BUSTER®

Knockout Punches

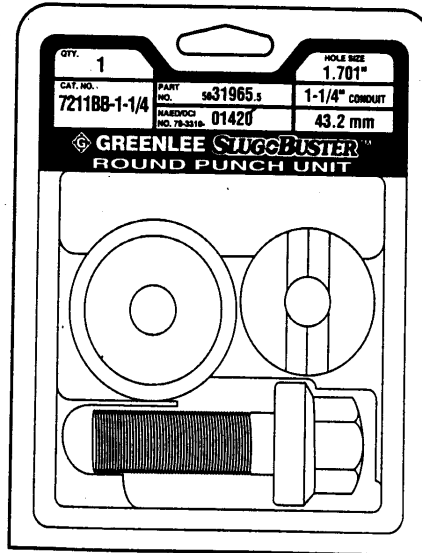
Slug-Buster® punches are a fast and easy way to punch up to 3.0 mm (10 gauge) round holes in mild steel. The unique punch profile splits slugs allowing slugs to fall free.

Over 20 Sizes to Choose From

Slug-Buster® punches are available in 1/2" - 2" conduit sizes and in industrial sizes 15.2 through 64.0 mm (.598" - 2.520"; Pg sizes Pg-9 through Pg-48; and ISO sizes ISO-16 through ISO-63. Mild steel capacities 2.0 mm through 3.0 mm (14 - 10 gauge).



Slug-Buster® Punch Units



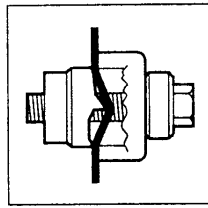
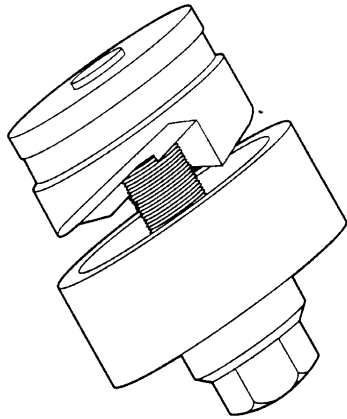
Slug-Buster® Punch Units are complete units consisting of punch, die and draw stud.

Slug-Buster® sets are also available.

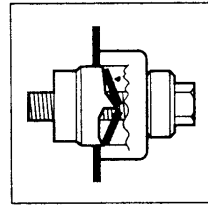
Hole Sizes

Pg Sizes:	European standard pipe sizes.
ISO Sizes:	International Standards Organization pipe sizes.
Conduit Sizes:	Hole size is outside diameter of US conduit size. Example - 1/2" conduit size punch actually makes a 7/8" hole.

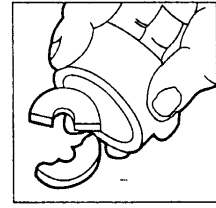
CAPACITY	Mild Steel up to 3.0 mm (10 gauge)
APPLICATION	Punch mild steel, fiberglass and plastic.
OPERATION	Operate manually or with ratchet or hydraulic drivers. Manually turn draw stud with wrench. When used with ratchet or hydraulic driver, buy the punch and die only; the draw stud is part of the driver set. For "custom size" punches and dies, contact your Greenlee distributor.



Crease



Split



Release

A

SLUGBUSTER® Punch Units

Pg	ISO	Conduit & Pipe	Hole Size			Capacity Mild Steel		Punch Unit		Weight	
			Ø (mm)	Ø (inch)	(mm)	GA.	Cat. No.	UPC No. 78-3310-	g	lbs.	
Pg-9	-	-	15.2	-	0.598	2.0	14	7211EBB-15.2	31989	137	0.3
-	ISO-16	-	16.2	-	0.638	2.0	14	35177	35177	137	0.3
Pg-11	-	-	18.6	-	0.732	2.0	14	7211EBB-18.6	31990	137	0.3
Pg-13	ISO-20	-	20.4	-	0.803	2.0	14	7211EBB-20.4	31991	137	0.3
Pg-16	-	1/2"	22.5	7/8	0.885	3.0	10	7211BB-1/2	31962	137	0.3
-	ISO-25	-	25.4	1	1.000	2.0	14	35178	35178	227	0.5
-	-	3/4"	28.3	-	1.115	3.0	10	7211BB-3/4	31963	363	0.8
Pg-21	-	-	28.3	-	1.115	2.0	14	7211EBB-28.3	31993	227	0.5
-	-	-	30.5	1-7/32	1.210	3.0	10	60246	60246	273	0.6
-	-	-	30.5	1-7/32	1.210	2.0	14	36508	36508	273	0.6
-	ISO-32	-	32.5	-	1.280	3.0	10	35179	35179	363	0.8
-	-	1"	34.6	-	1.362	3.0	10	7211BE-1	31964	454	1
Pg-29	-	-	37.0	-	1.457	3.0	10	7211EBB-37	31995	545	1.2
-	ISO-40	-	40.5	-	1.595	3.0	10	35180	35180	545	1.2
-	-	1-1/4"	43.2	-	1.701	3.0	10	7211BB-1-1/4	31965	590	1.3
Pg-36	-	-	47.0	-	1.850	3.0	10	7211EBE-47	31996	862	1.9
-	-	1-1/2"	49.6	-	1.951	3.0	10	7211BB-1-1/2	31966	953	2.1
-	ISO-50	-	50.8	2	2.000	3.0	10	35181	35181	1043	2.3
Pg-42	-	-	54.0	-	2.125	3.0	10	36171	36171	1134	2.5
Pg-48	-	-	60.0	-	2.362	3.0	10	7211EBB-60	31998	1271	2.8
-	-	2"	61.5	2-3/8	2.416	3.0	10	7211BB-2	31967	1452	3.2
-	ISO-63	-	64.0	-	2.520	3.0	10	35182	35182	1452	3.4

For Punch, Die, and Draw Stud Individual Replacement Parts, see page P-5.